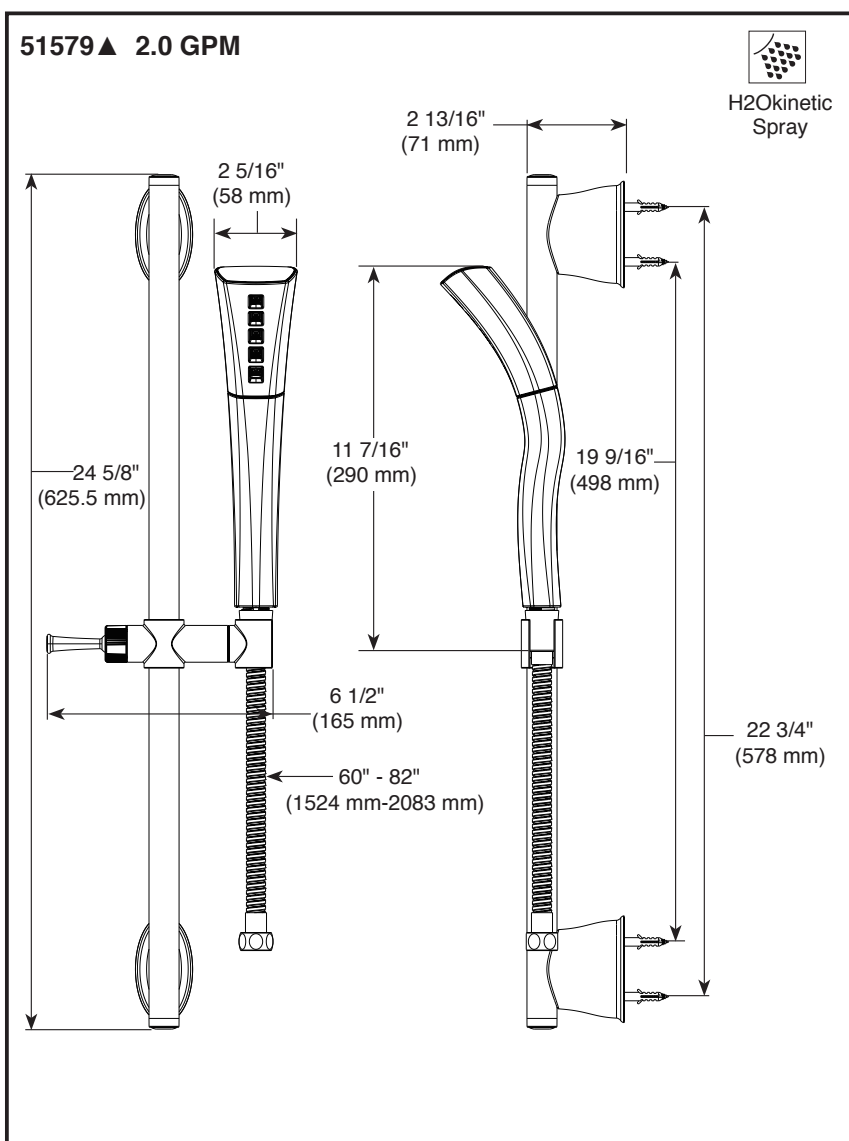


Slide Bar Hand Shower

- H₂Okinetic® Technology Handshower
- Single Spray Setting Handshower

Submitted Model No.: _____

Specific Features: _____



STANDARD SPECIFICATIONS:

- Maximum flow rate 2.0 gpm @ 80 PSI, 7.6L/min @ 552kPa.
- Certified dual neoperl check valves for backflow protection.
- Hand held shower with single spray setting – not a positive shut-off.
- Spray face rotates 360 degrees.
- 60-82" stretchable metal hose.
- Wall bar bracket for hands-free showering.
- Wall bar w/adjustable slide (allows for adjustable shower height). Not to be used as a grab bar.

WARRANTY

- Lifetime limited warranty on parts (other than electronic parts and batteries) and finishes; or, for commercial users, for 5 years from the date of purchase.
- 5 year limited warranty on electronic parts (other than batteries); or for commercial users, for 1 year from the date of purchase. No warranty is provided on batteries.



COMPLIES WITH

- ASME A112.18.1 / CSA B125.1
- EPA WaterSense®

▲ Designate proper finish suffix
 Delta reserves the right (1) to make changes in specifications and materials, and (2) to change or discontinue models, both without notice or obligation. Dimensions are for reference only. See current full-line price book or www.deltafaucet.com for finish options and product availability.



55 E. 111th Street, Indianapolis, Indiana 46280
 350 South Edgeware Road, St. Thomas, Ontario Canada N5P 4L1
 © 2016 Masco Corporation of Indiana