

ActivTouch Slide Bar Hand Shower

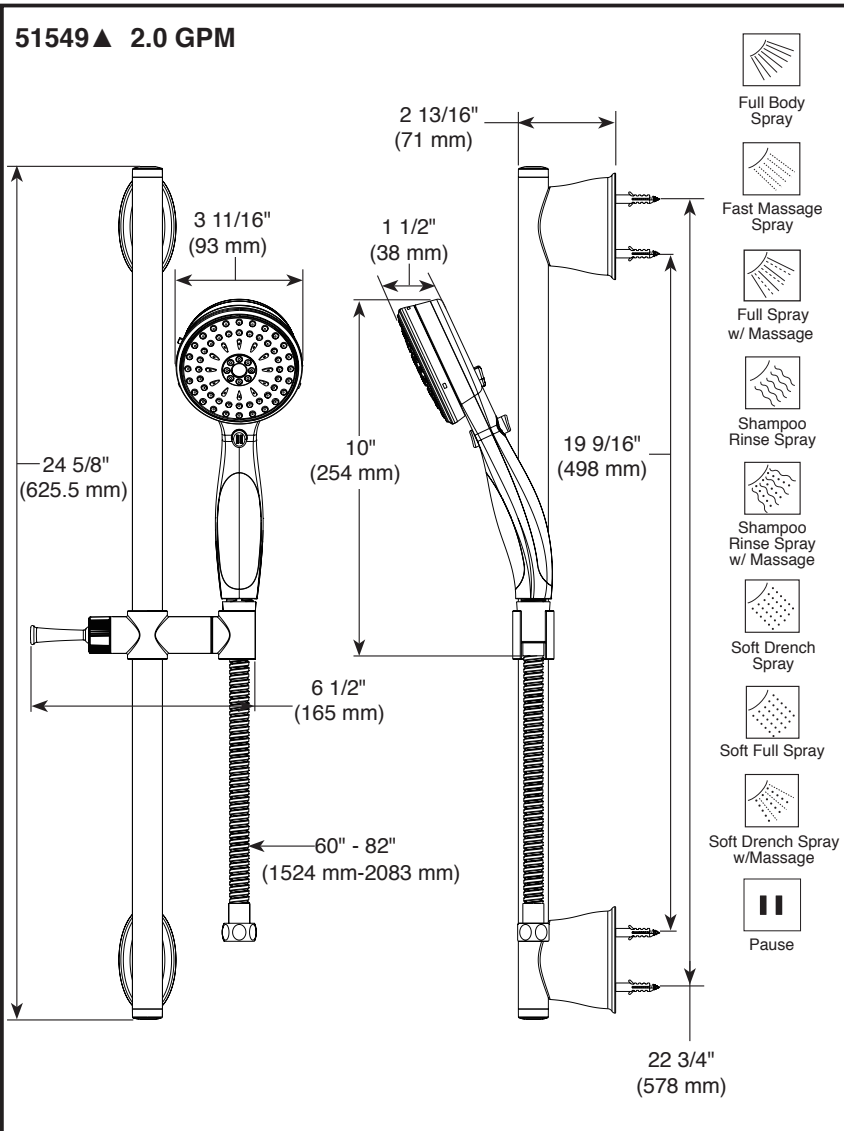
- ActivTouch® Handshower
- 9 Spray Setting Handshower
- Touch-Clean® Nozzles

STANDARD SPECIFICATIONS:

- Maximum flow rate 2.0 gpm @ 80 psi, 7.6 L/min @ 552kPa.
- Certified dual neoperl check valves for backflow protection.
- Three spray selection buttons for a simple one-handed operation.
- Soft touch non-slip grip.
- Hand held shower with nine spray settings – not a positive shut-off.
- 60-82" stretchable metal hose.
- Slide bar bracket for hands-free showering.
- Slide bar w/adjustable slide (allows for adjustable shower height). Not to be used as a grab bar.
- ADA compliant handshower and hose only.

Submitted Model No.: _____

Specific Features: _____



▲ Designate proper finish suffix

WARRANTY

- Lifetime limited warranty on parts (other than electronic parts and batteries) and finishes; or, for commercial users, for 5 years from the date of purchase.
- 5 year limited warranty on electronic parts (other than batteries); or for commercial users, for 1 year from the date of purchase. No warranty is provided on batteries.



COMPLIES WITH:

- ASME A112.18.1 / CSA B125.1
- EPA WaterSense®

Delta reserves the right (1) to make changes in specifications and materials, and (2) to change or discontinue models, both without notice or obligation. Dimensions are for reference only. See current full-line price book or www.deltafaucet.com for finish options and product availability.

DSP-B-51549 Rev. C



55 E. 111th Street, Indianapolis, Indiana 46280
 350 South Edgeware Road, St. Thomas, Ontario Canada N5P 4L1
 © 2017 Masco Corporation of Indiana