

G-8036-LM42S

Sento Collection

Thermostatic Valve Trim with Handle

GRAFF[®]
CUTTING EDGE DESIGN



Product Features

- Single metal handle and decorative trim plate
- Use with G-8000 or G-8005 thermostatic rough valve

Available Finishes

- Polished Chrome G-8036-LM42S-PC
- Steelnox[®] G-8036-LM42S-SN
- Olive Bronze G-8036-LM42S-OB
- Polished Nickel G-8036-LM42S-PN
- Architectural Black[™] G-8036-LM42S-PC/BK
- Architectural White G-8036-LM42S-PC/WT

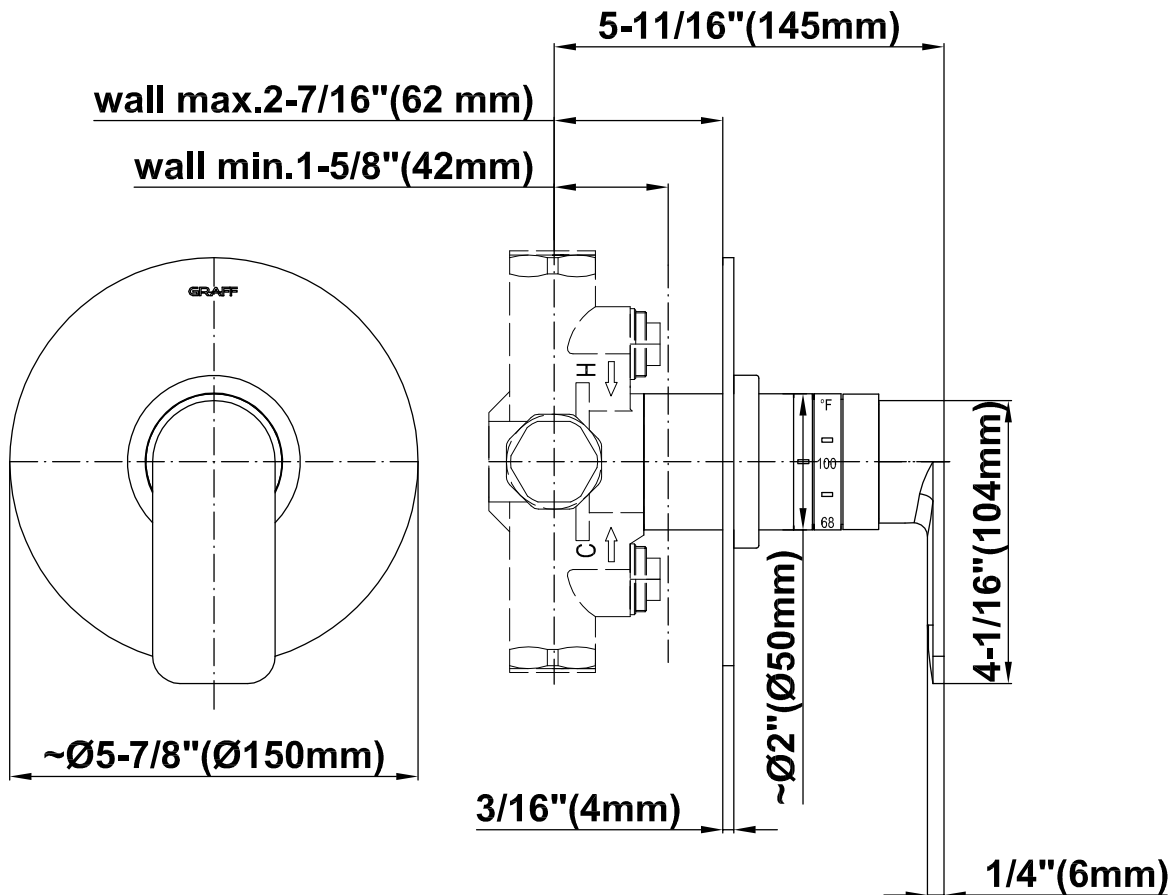
Code Compliance

- ADA

Warranty

- Limited lifetime warranty

For complete warranty information go to www.graff-faucets.com/en-nam/warranty



The measurements shown are for reference only. Products and specifications shown are subject to change without notice. Revised 07/2012.

www.graff-faucets.com | phone: 800-959-4723