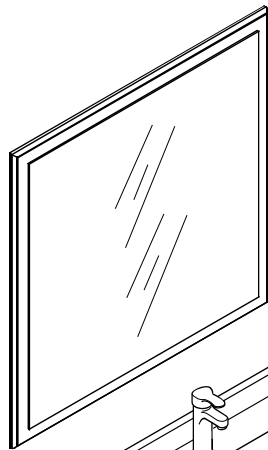
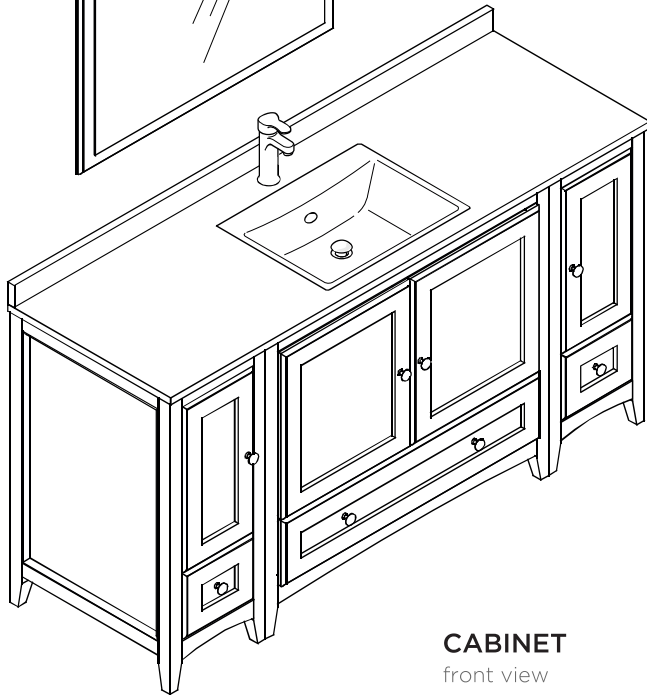


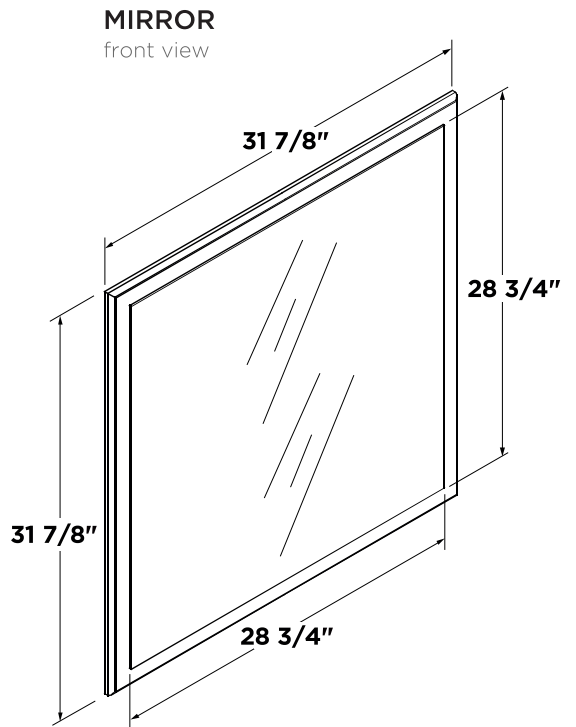
**FVN20-123612**  
**OXFORD**  
**INSTALLATION GUIDE**



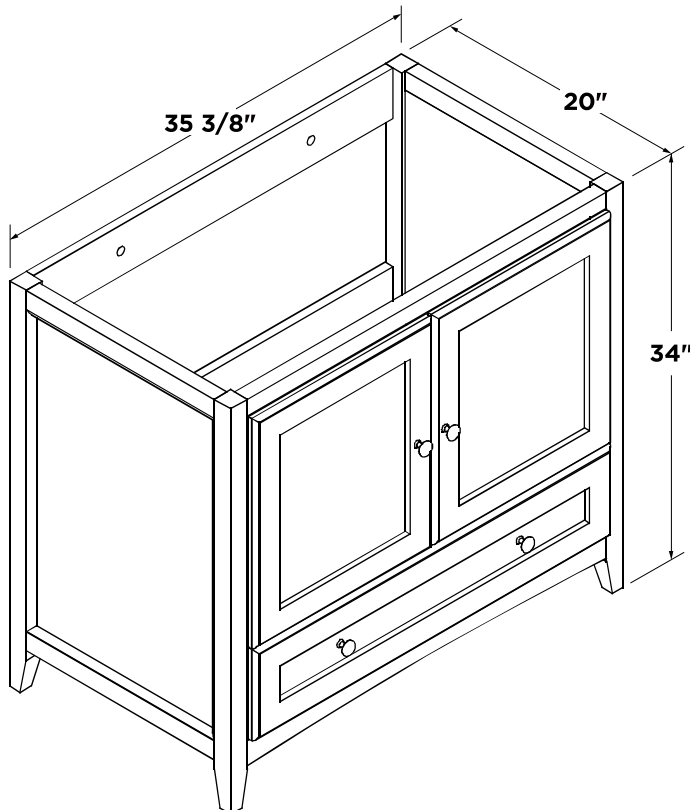
**VANITY ENSEMBLE**  
front view



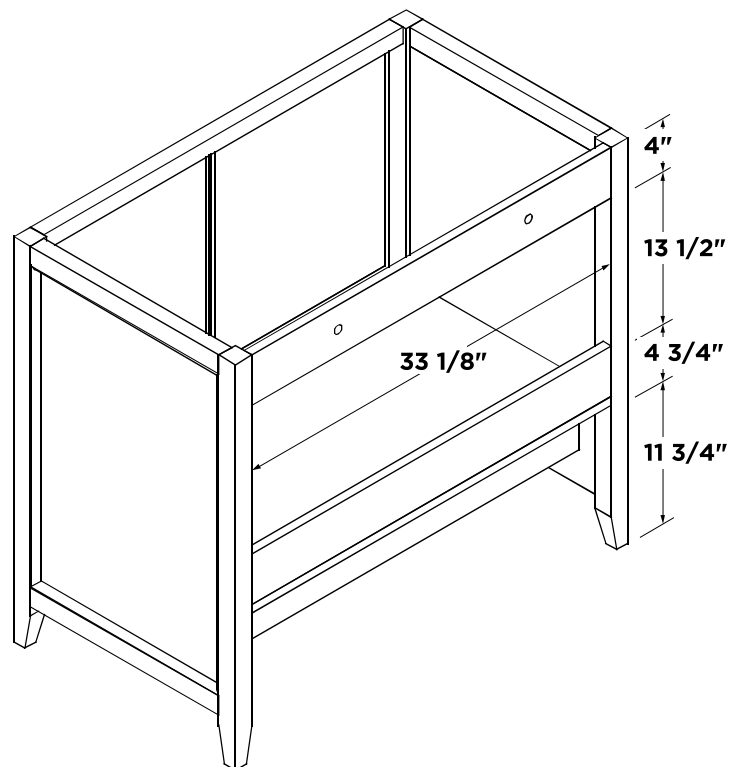
**CABINET**  
front view



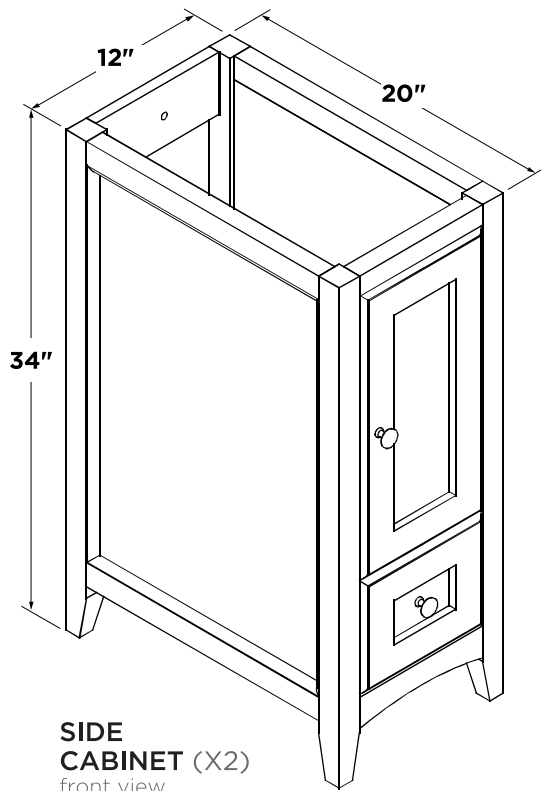
**MIRROR**  
front view



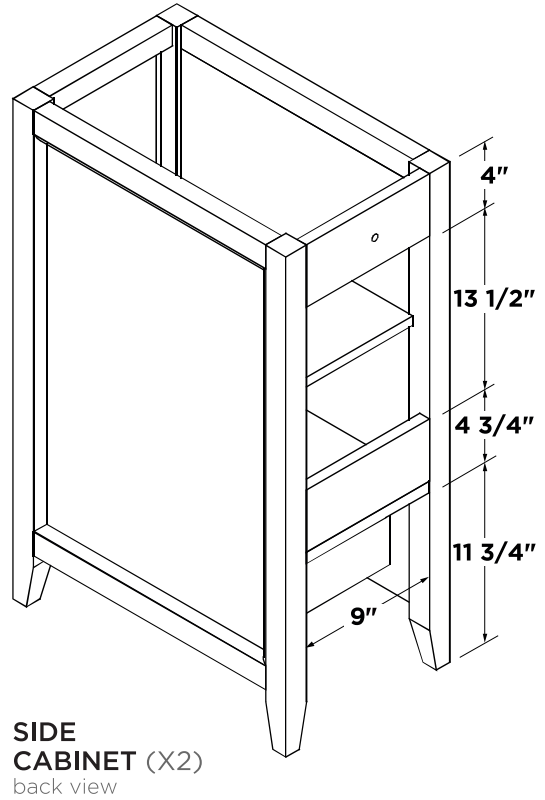
**CABINET**  
back view



## SIDE CABINET DIMENSIONS

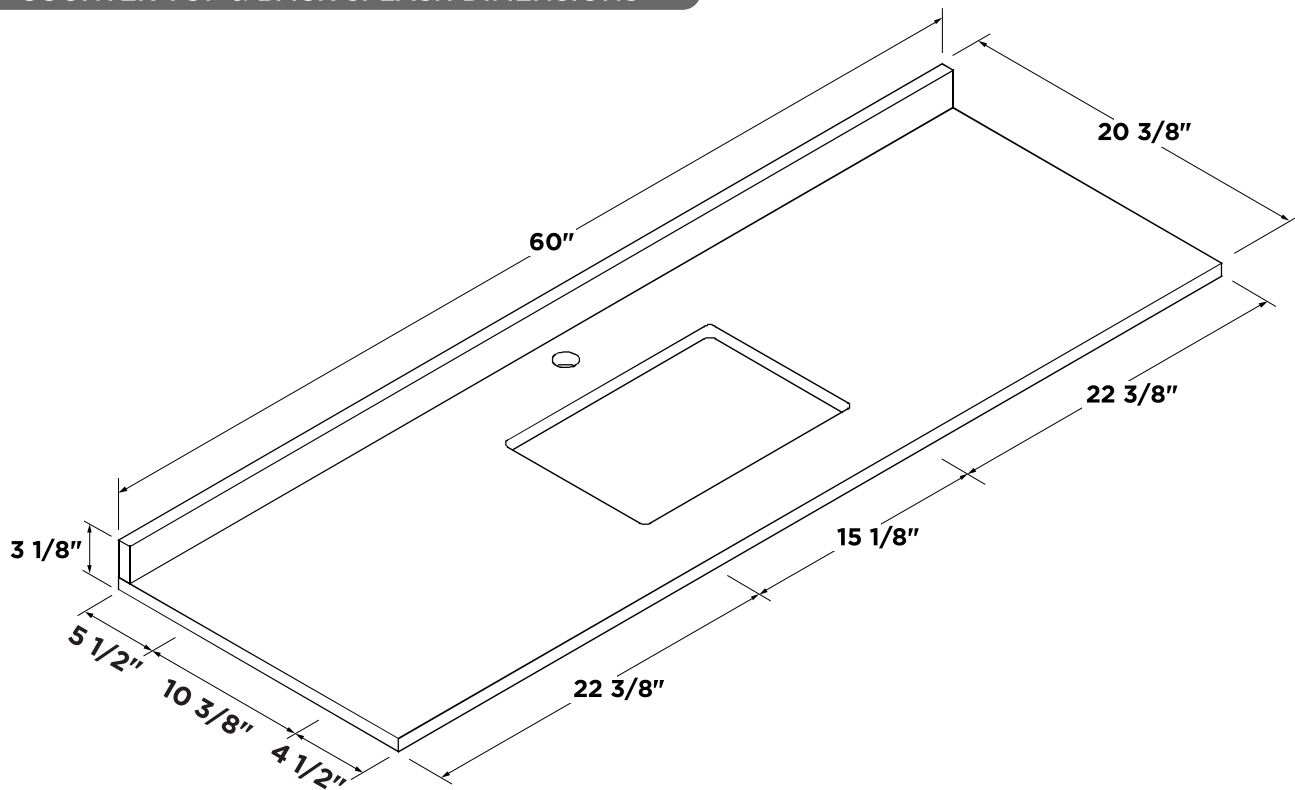


**SIDE CABINET (X2)**  
front view



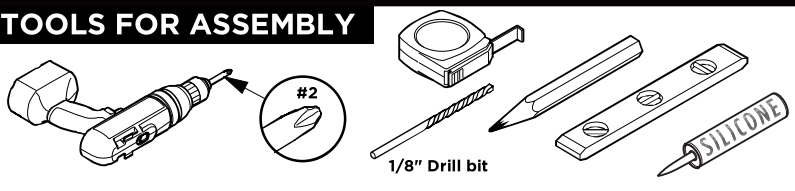
**SIDE CABINET (X2)**  
back view

## COUNTER TOP & BACK SPLASH DIMENSIONS



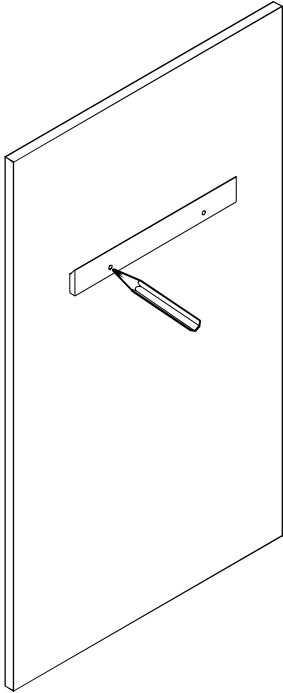
Note: All dimensions and specifications are approximate and subject to change without notice.

## TOOLS FOR ASSEMBLY

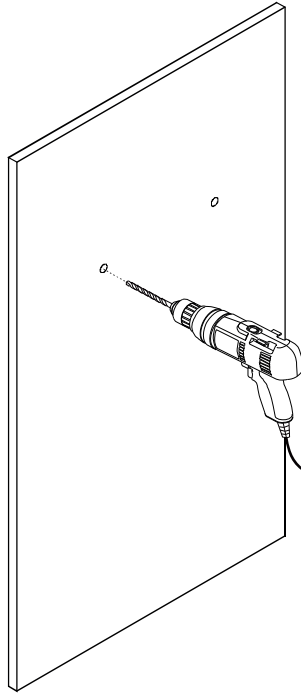


## MIRROR INSTALLATION

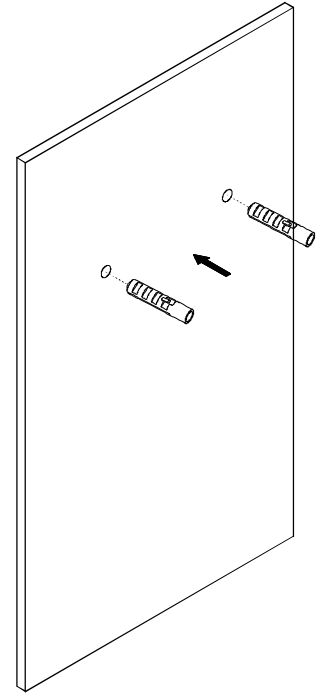
- 1** Level the mirror bracket and then mark the installation position



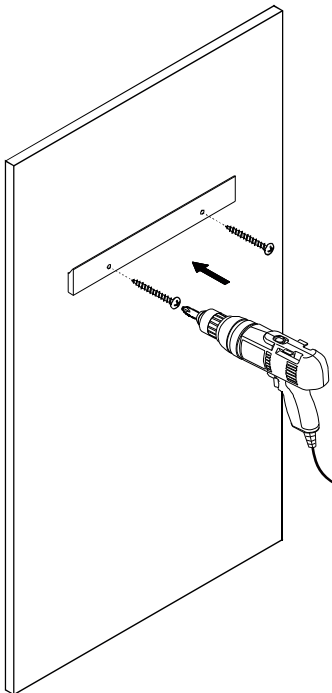
- 2** Drill the installation holes



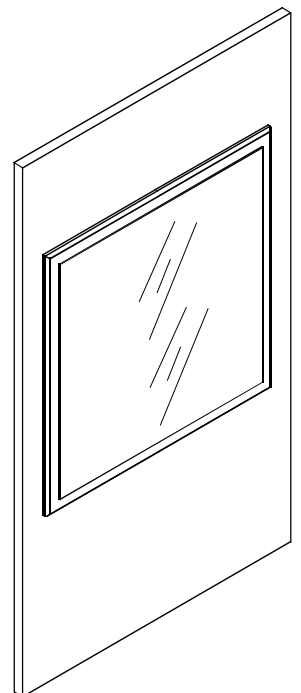
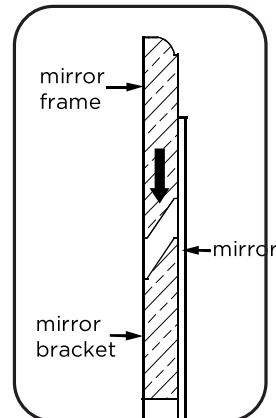
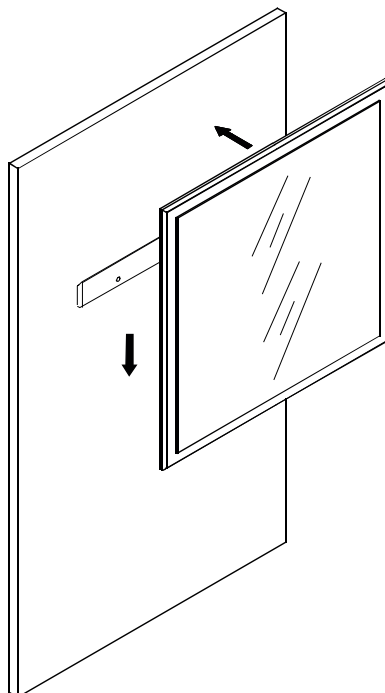
- 3** Insert the plastic plug



- 4** Fix the mirror bracket

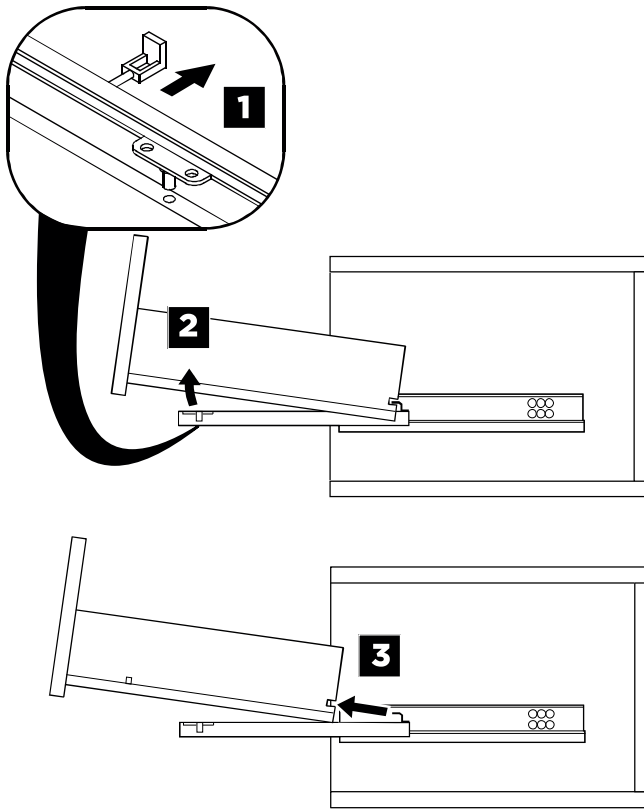


- 5** Hang up the mirror

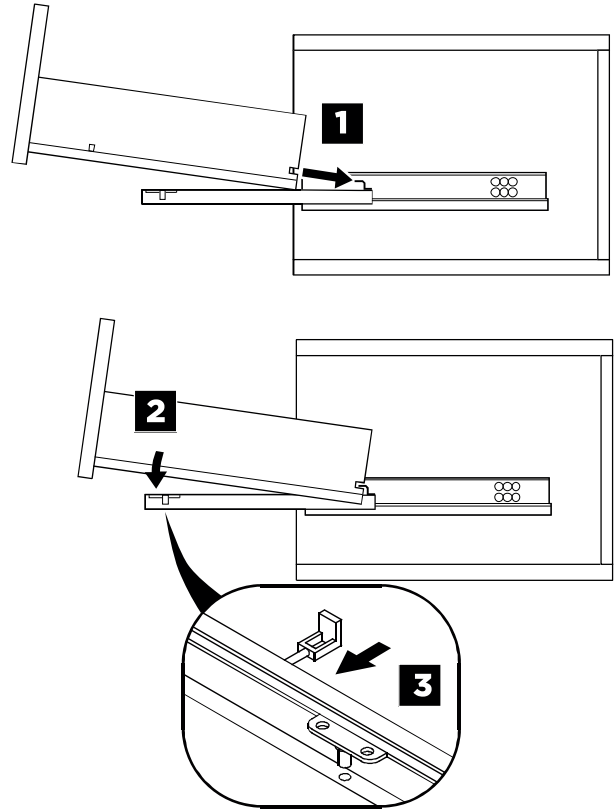


# DRAWER REMOVAL & INSTALLATION

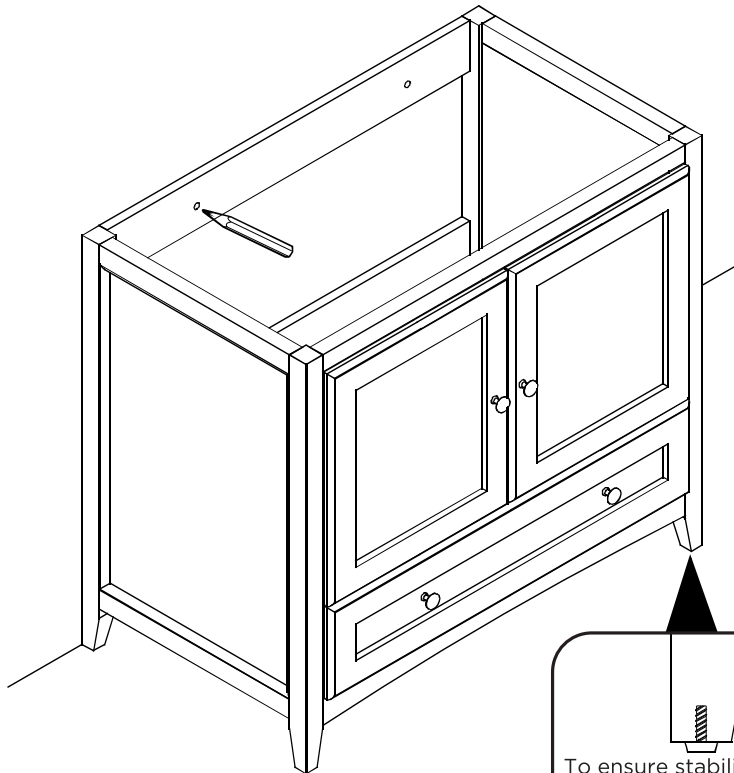
## REMOVAL



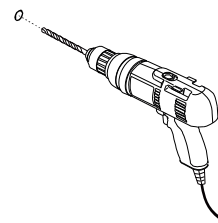
## INSTALLATION



**1** Level the cabinet and mark position for the installation.



**2** Drill the holes previously marked.

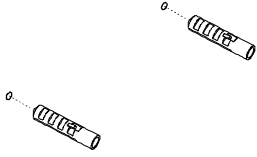


To ensure stability, cabinet's height can be regulated by turning the glide clockwise or counterclockwise.  
*(Optional Step)*

3

\*Insert the anchors into the holes

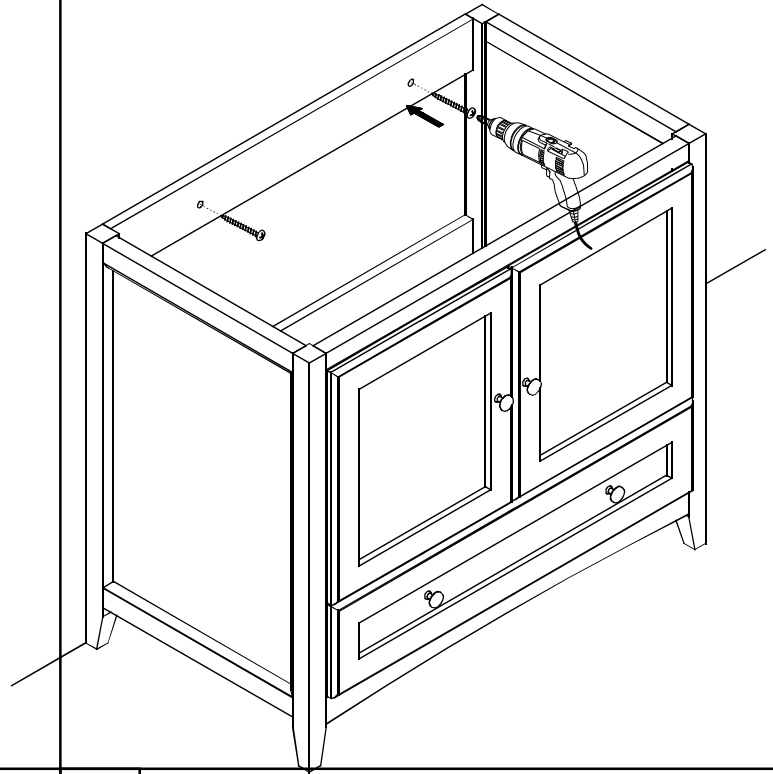
**\*NOTE:**  
Only use anchors  
if stud is not available.



☞ Consult an expert for the proper screws/bolts to use when attaching to various wall constructions. Screws provided **do not attach** to all wall construction types.

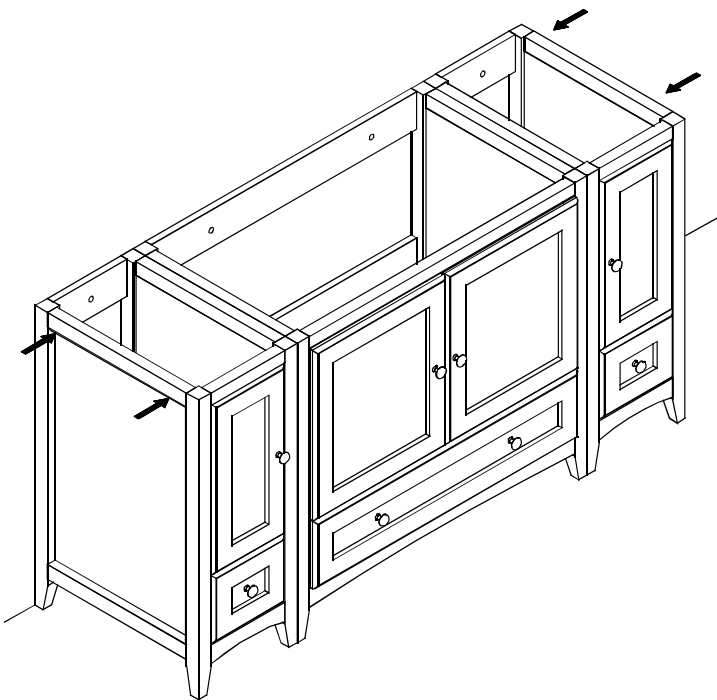
4

\*Connect the cabinet to the wall using screws



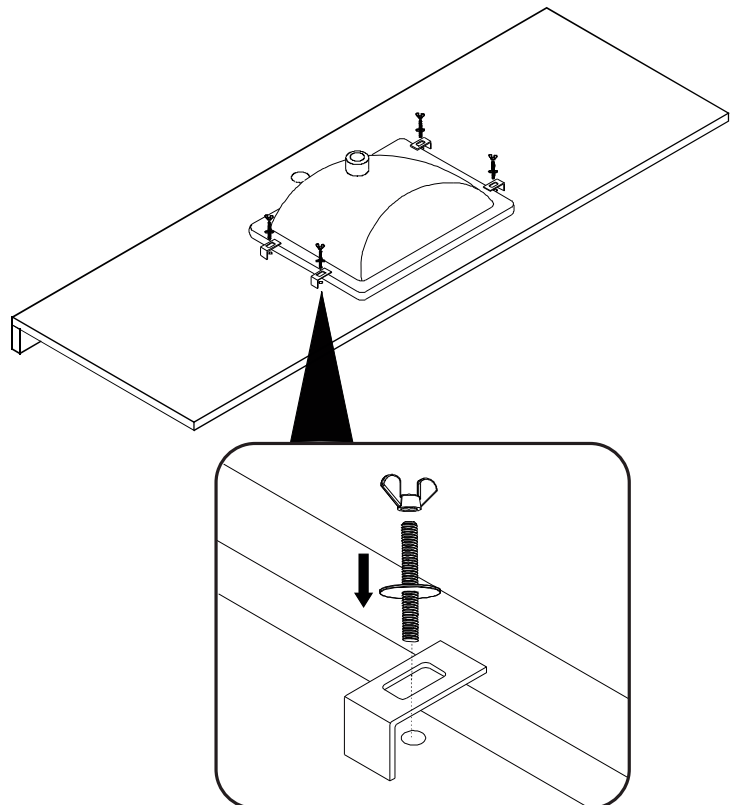
5

Make sure that both cabinets are aligned and securely installed.



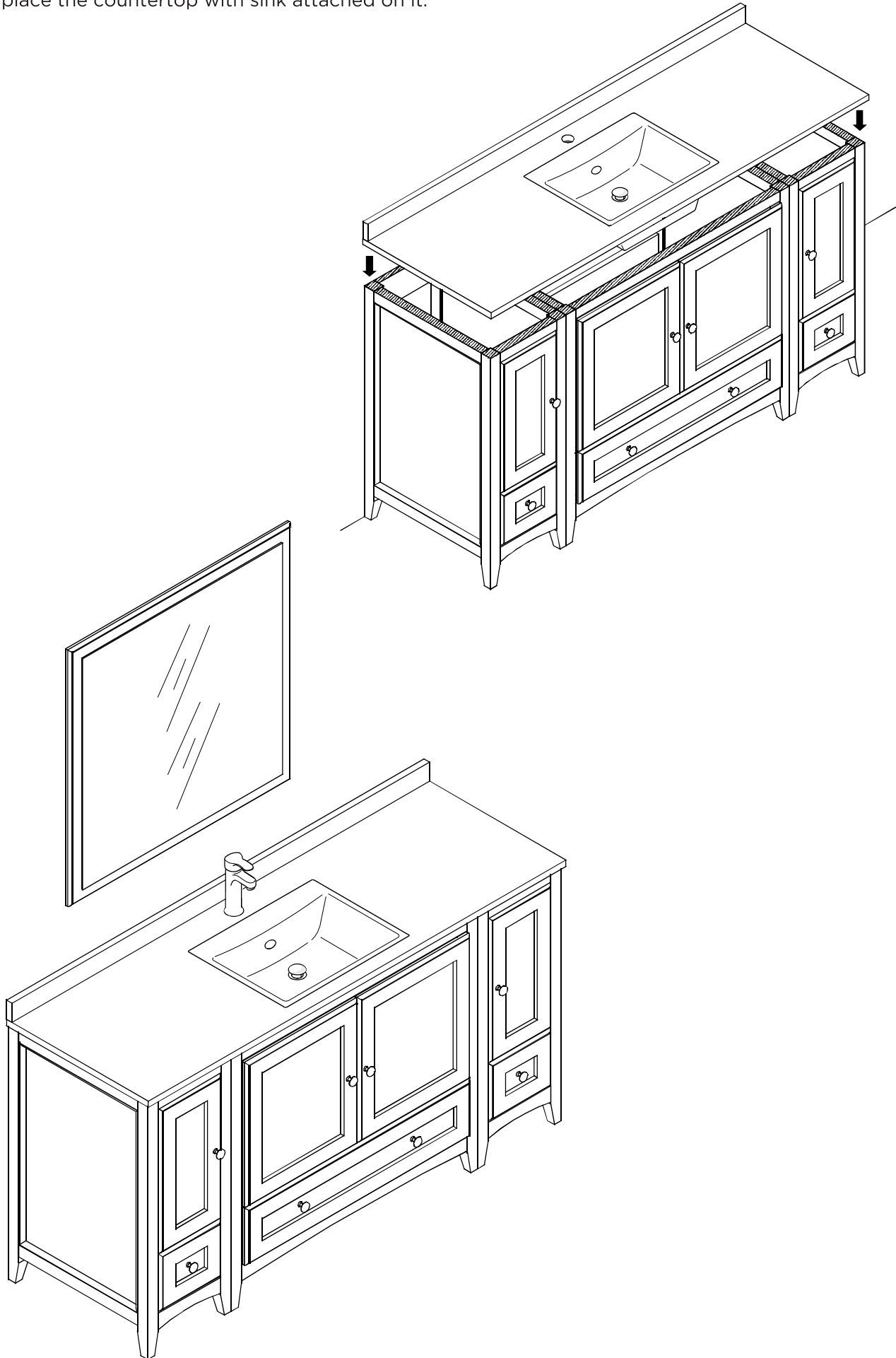
6

Flip the countertop upside down and attach the sink to it using a provided brackets & screws.



7

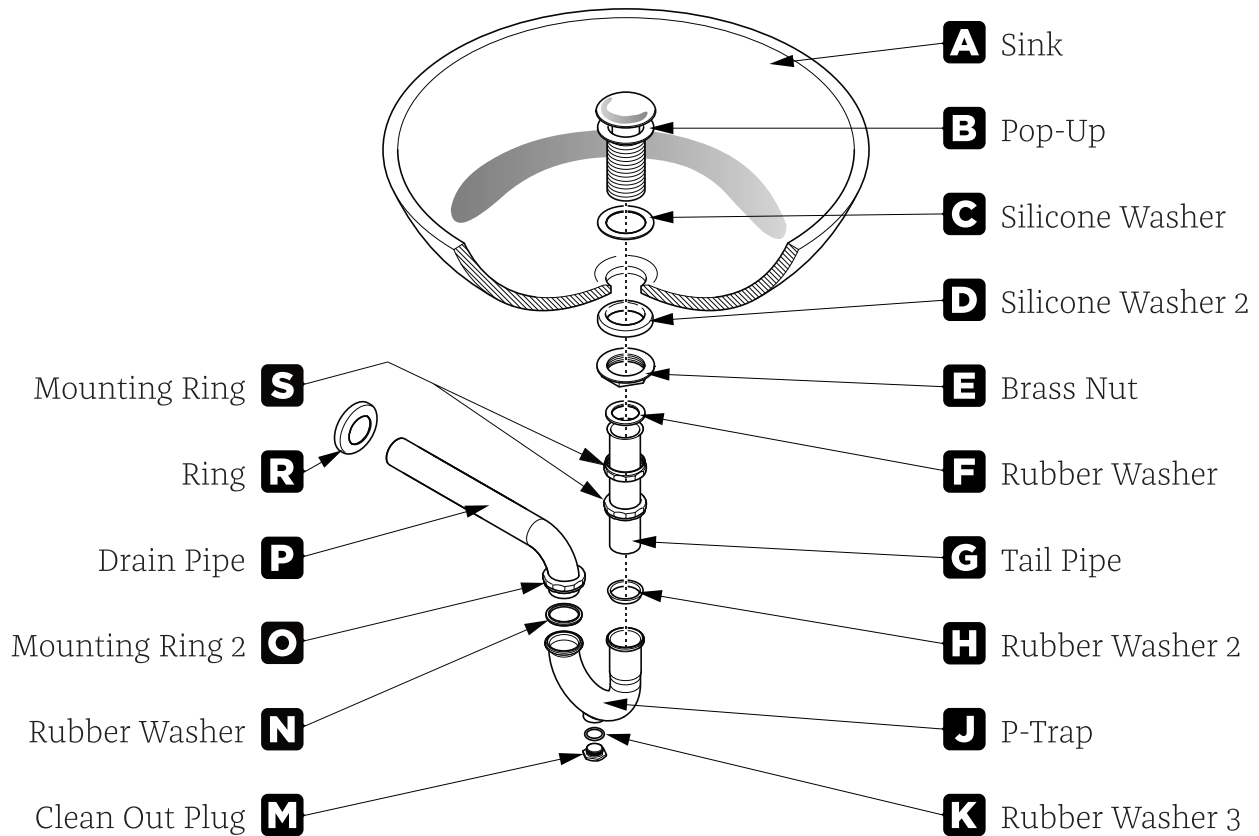
Apply silicone to the top of the cabinet and place the countertop with sink attached on it.



# POP-UP & P-TRAP

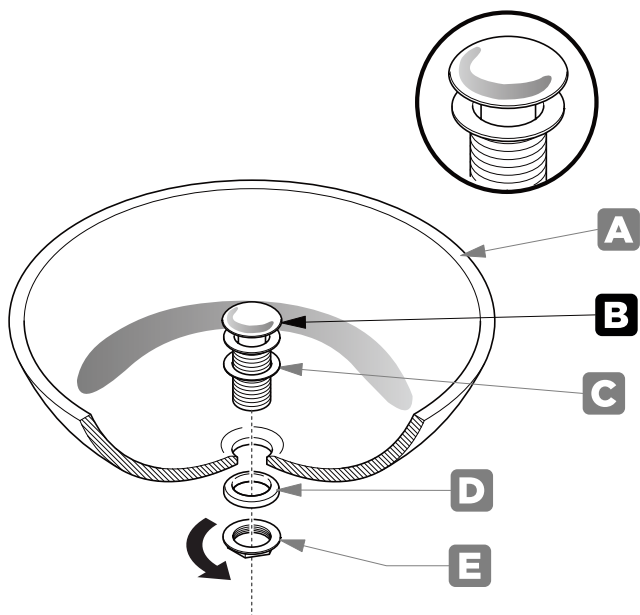
## INSTALLATION INSTRUCTIONS

Your item may appear slightly different from the illustration.



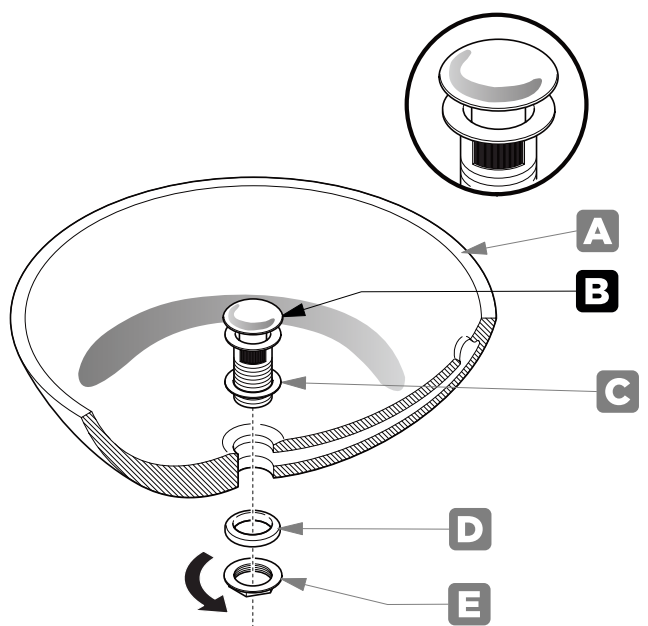
## POP-UP INSTALLATION

**FOR SINKS WITHOUT OVERFLOW**



OR

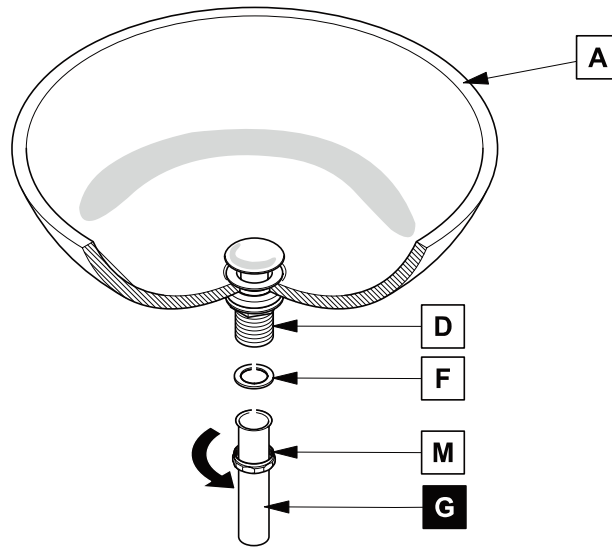
**FOR SINKS WITH OVERFLOW**



# P-TRAP INSTALLATION

**1**

Install tail pipe (G)



**2**

Install p-trap (J)

