

INSTALLATION CERTIFICATION PROGRAM

FOR PROFESSIONAL INSTALLERS

ARE YOU A PROFESSIONAL INSTALLER?

Did you know that DreamLine offers a free certification course for professional installers? DreamLine's Installer Certification Program can increase your visibility in the marketplace with a preferred listing on our website to grow your business. Training classes are held at our company headquarters in Warminster PA. Professional installers are encouraged to send an email to: **ICP@DreamLine.com** for complete details on how to apply to become a DreamLine Certified Installer.



• Aqua Lux

• Unidoor

• Enigma-X

• Prism

• Infinity-Z





AQUA LUX

Tub Door Installation Instructions

IMPORTANT

DreamLine® reserves the right to alter, modify or redesign products at any time without prior notice. For the latest up-to-date technical drawings, manuals or additional details please refer to your model's web page on **DreamLine.com**

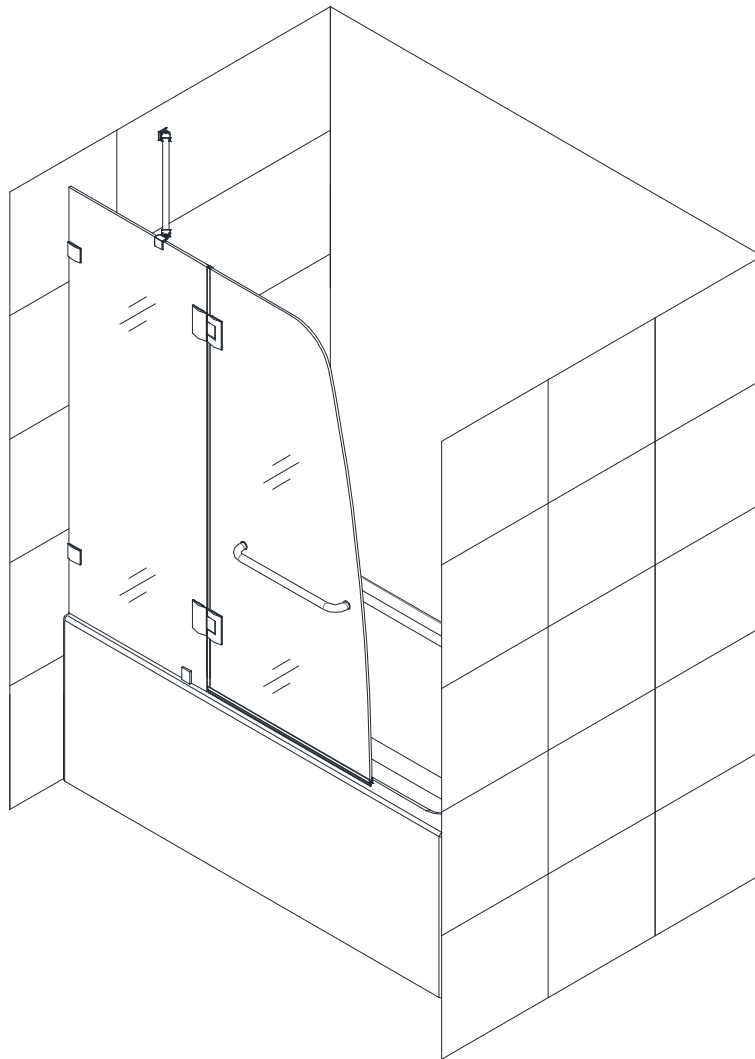
Model#

SHDR-3348588-##

finish

-01-Chrome

-04-Brushed Nickel



Left Hand Installation shown

Please read these instructions carefully before installing. If you have any questions regarding installation, please contact our technical support specialists Monday through Friday 8:00 AM – 7:00 PM EST at Phone: 1-866-731-2244, Fax: 1-866-857-3638 or e-mail our technical support group at **Support@DreamLine.com**

For more information about DreamLine® Shower Doors & Tub Doors please visit **DreamLine.com**

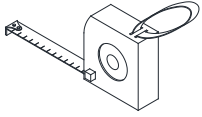
Preparation

1. Prior to installation, examine all boxes and packages for shipping damage and compare the piece count with your packing slip. After opening all boxes and packages read this introduction carefully. Check that all of the needed parts are included in the package by checking off the components on the "Parts Diagram". If the unit has been damaged, has a finishing defect, or has missing parts, please contact our customer support department within **3 business days** of the delivery date. **Please note that DreamLine® will not replace any damaged products or missing parts free of charge after 3 business days or if the product has been installed.** Feel free to contact DreamLine® if you have any questions, and please provide an order number, job name or other proof of purchase to help us identify your original order.
2. Please note that you should consult your local building codes with questions on installation compliance standards. Building and plumbing codes may vary by location, and DreamLine® is not responsible for code compliance standards for your project and will not accept any returns.
3. If this unit is going to be installed in a new construction, please install all of the required plumbing and drainage before installing the shower. **Use a competent and licensed (if required by local code) plumber for all plumbing installation.**
4. Please make sure that prior to beginning the installation, the surfaces are leveled and solid and will be able to support the total weight of the unit. Also make sure the walls are at right angles. Irregular installation surface level, radius corners or improper angle of side walls will result in serious problems for your installation. Please, note that some adjustments and drilling might be necessary during the installation process.
5. Please protect all primary surfaces of the product during installation. Never set your glass down directly onto a tile floor. Leave corner protectors in place until necessary to remove them. Always use a piece of wood or cardboard to protect the bottom edge and corners of the glass prior to and during installation.
6. This unit must be installed upon a finished threshold and against finished walls.
7. This model does NOT have any adjustment for out of plumb conditions. Verify that your walls are plumb before proceeding with the installation.
8. **This model requires that you drill into the threshold/tub surface for proper installation.**
9. This model requires a minimum 3/4" of flat threshold space for installation.
10. This model is reversible for left or right hand installation. This manual will show the left hand installation. For a right hand installation, simply begin on the opposite wall and reverse the orientation of the parts as necessary.

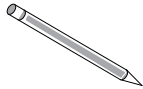


NOTE: DO NOT install the handle onto the door glass until instructed to do so. **DO NOT** lift the glass using the handle. This could result in damage to the glass and/or serious personal injury. Always use an assistant or a professional grade glass suction cup when handling heavy glass.

Tools



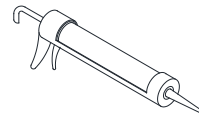
Tape Measure



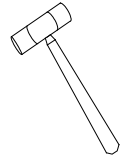
Pencil



Level



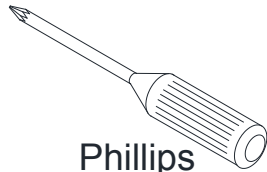
Caulk



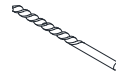
Hammer



Power Drill



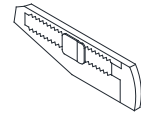
Phillips Screwdriver



Drill bit (D=5/16")



Drill bit (D=1/8")

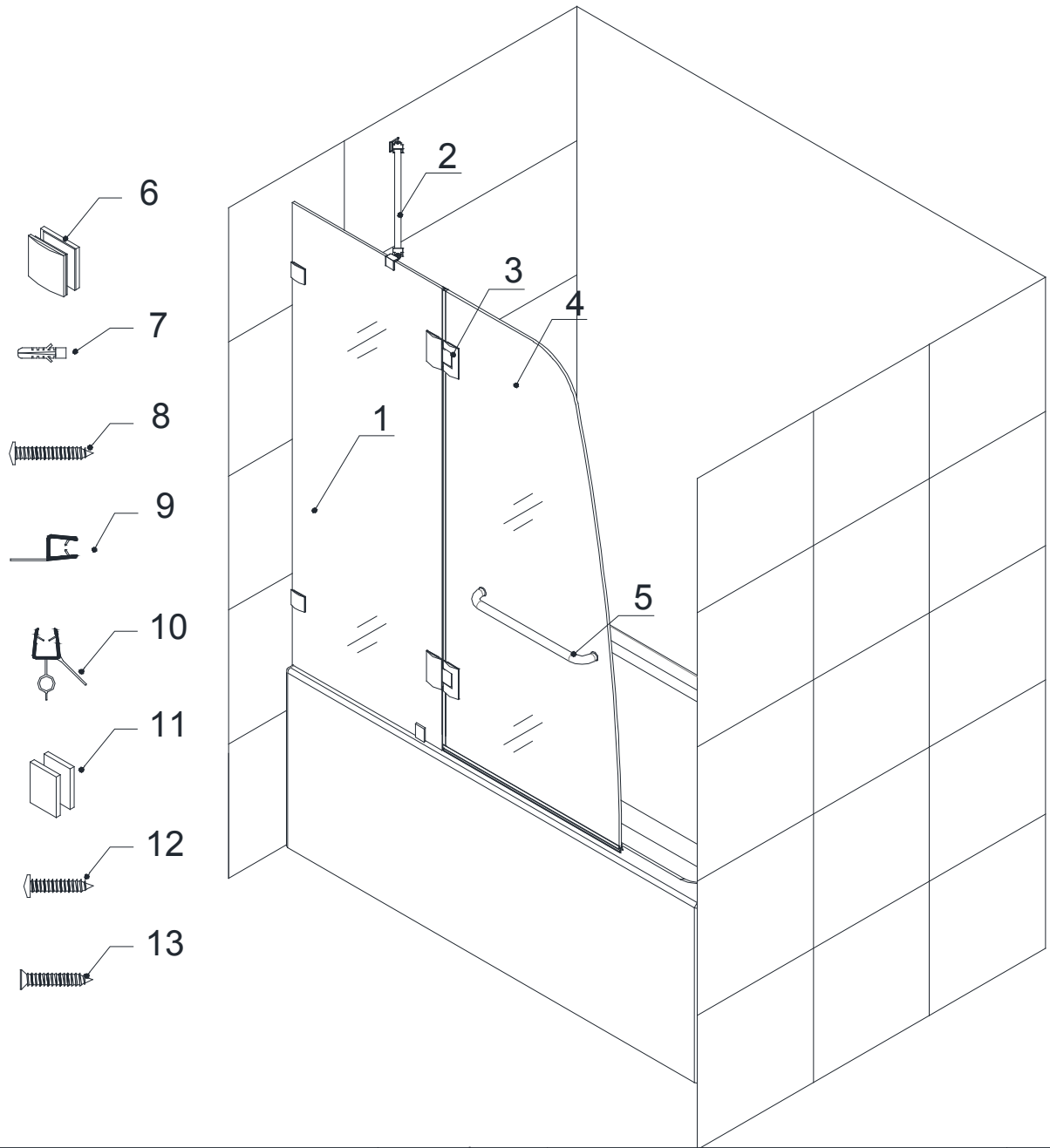


Knife

NOTE: Unpack your unit carefully and inspect it. Lay it out and identify all parts using the detailed diagram and packing list in this manual as a reference. Before discarding the carton, check for small hardware bags that may have fallen to the bottom of the box. If any parts are damaged or missing, please contact DreamLine® for replacement. The shipping boxes may contain extra parts not used in your model configuration.

NOTE: Retain these installation instructions for future reference.

Parts diagram



Part #	Description	Qty	Part #	Description	Qty
01	Stationary glass	1pc	08	Round head screw ST4.2×55	2pcs
02	Support bar	1pc	09	Flanged Side strip	1pc
03	Hinge	2pcs	10	Bottom anti-water strip	1pc
04	Glass door	1pc	11	Bottom bracket	1pc
05	Handle	1pc	12	Round head screw ST4.2×30	1pc
06	Wall Bracket	2pcs	13	Countersunk screw ST4.2×40	1pc
07	Wall Anchor	3pcs			

Installation steps

1. Assemble the **Wall brackets (06)** onto the **Stationary glass (01)**. Use the at least one of the supplied gaskets on each side to protect the glass.

See Fig 1 for details

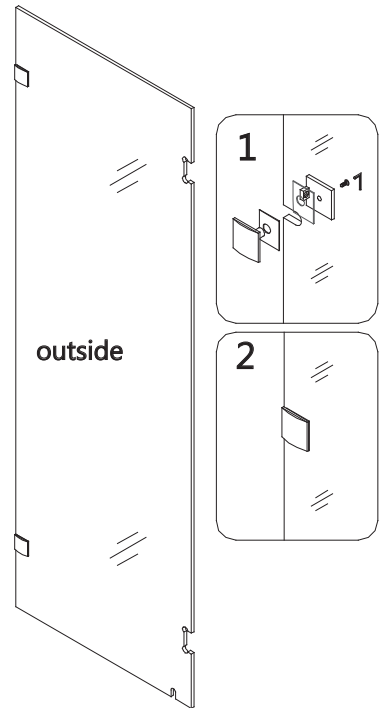


Fig 1

2. Carefully place the **Stationary glass (01)** onto tub surface. Position it against the wall and level it vertically.

See Fig. 2 for details

Note: Use a level to make sure the **Stationary glass (01)** is absolutely plumb.

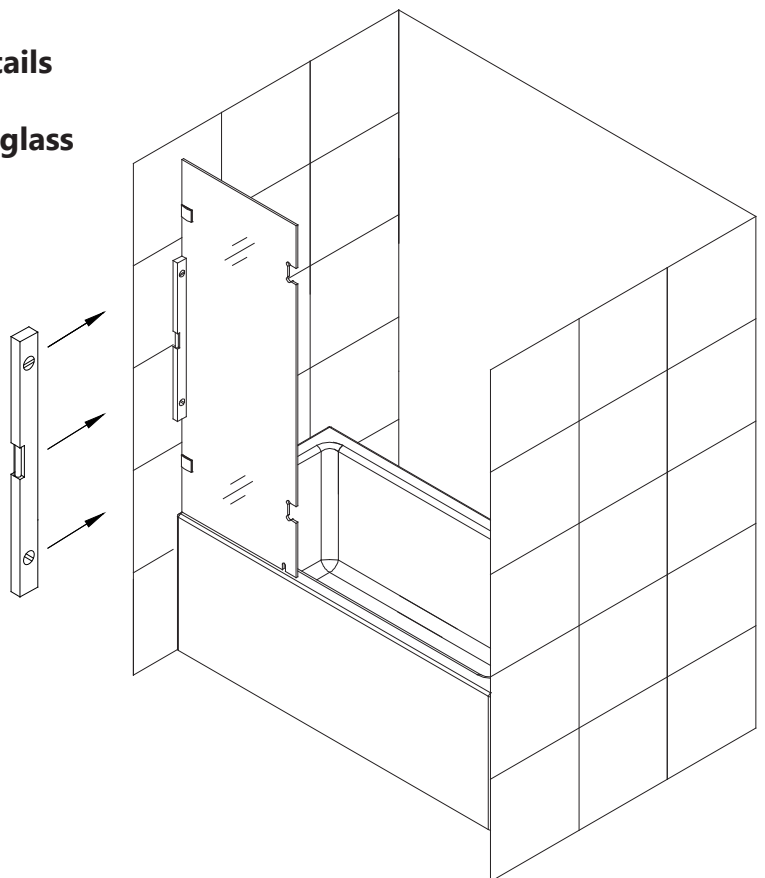


Fig 2

3. Outline the position of the **Wall brackets (06)** on the wall from inside of the shower area.
 Set the **Stationary glass (01)** aside.
 Remove the **Wall brackets (06)** from the **Stationary glass (01)**. Place the brackets back to the outlined positions and mark holes for drilling.
 Drill the holes in the wall using a $\text{Ø}5/16''$ drill bit and insert the **Wall anchors (07)**. Fasten the **Wall brackets (06)** to the wall using the **Truss head screw ST4.2×55 (08)**.

See Fig 3 for details

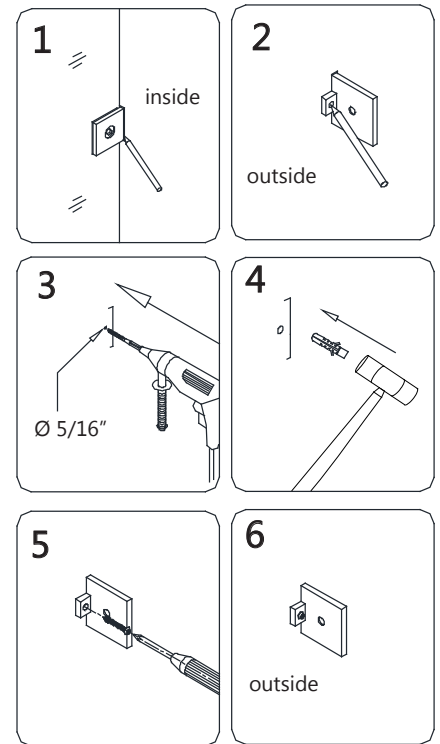


Fig 3

4. Place the **Stationary glass (01)** back onto the tub surface against the **Wall brackets (06)** and level it vertically.
 Slide the **Bottom bracket (11)** into the notch at the bottom of the **Stationary glass (01)**.

See Fig 4 for details

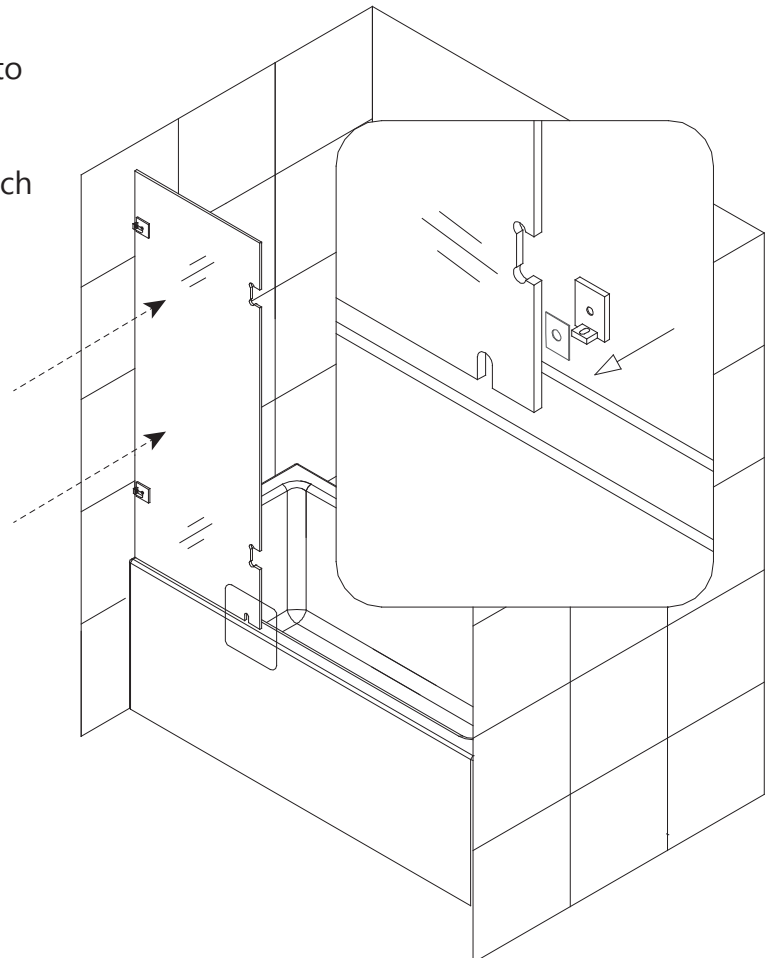


Fig 4

5. Mark the drilling hole on the threshold for the **Bottom bracket (11)**.

Set the **Stationary glass (01)** aside.

Drill a hole into the tub surface using an **Ø1/8"** drill bit and fasten the **Bottom bracket (11)** to the tub surface using the **Truss head screw ST4.2×30 (12)**.

See Fig 5 for details

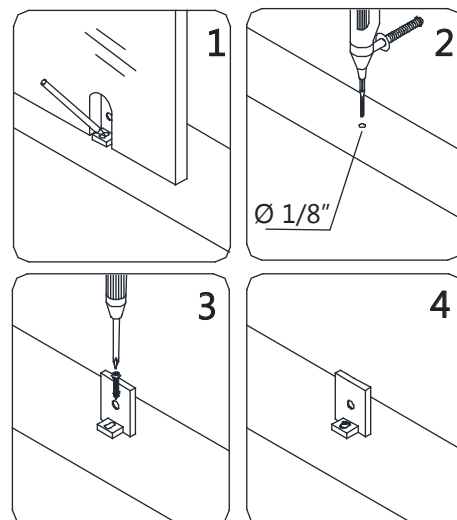


Fig 5

6. Place the **Stationary glass (01)** back into the designated position on the tub. Make any final adjustments, then re-assemble the **Wall brackets (06)** and the **Bottom bracket (11)**.

Install at least one gasket per side to protect the glass from contact with the brackets.

See Fig 6 for details

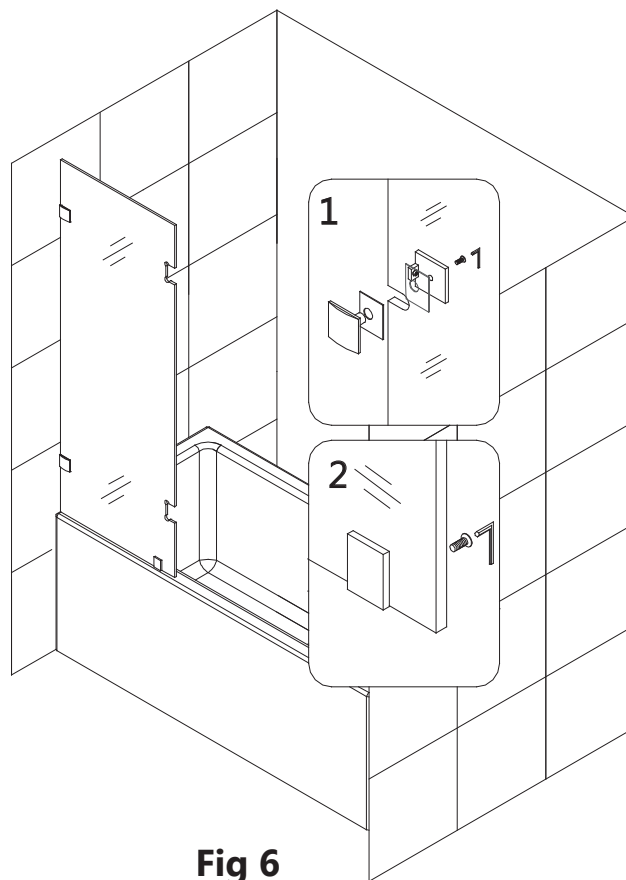


Fig 6

7. Locate the Support bar (02).

Position the **Support bar (02)** at an angle (ideally 45°) between the glass and the wall. Level it horizontally. Hold it firmly and outline the bracket's position on the wall. Remove the **Support bar (02)** and detach the wall bracket from it. Place the wall bracket against its outlined position on the wall and mark the drilling hole.

Drill a hole using a $\text{Ø } 5/16''$ drill bit, insert the **Wall anchor (07)** and fasten the wall bracket to the wall with the **Countersunk Screw ST4.2×40 (13)**.

Attach the **Support bar (02)** to the bracket as shown in Fig. 7.5 and tighten the set screws and the glass holding screw to secure the glass. Be sure to install the gaskets to protect the glass.

See Fig 7 for details

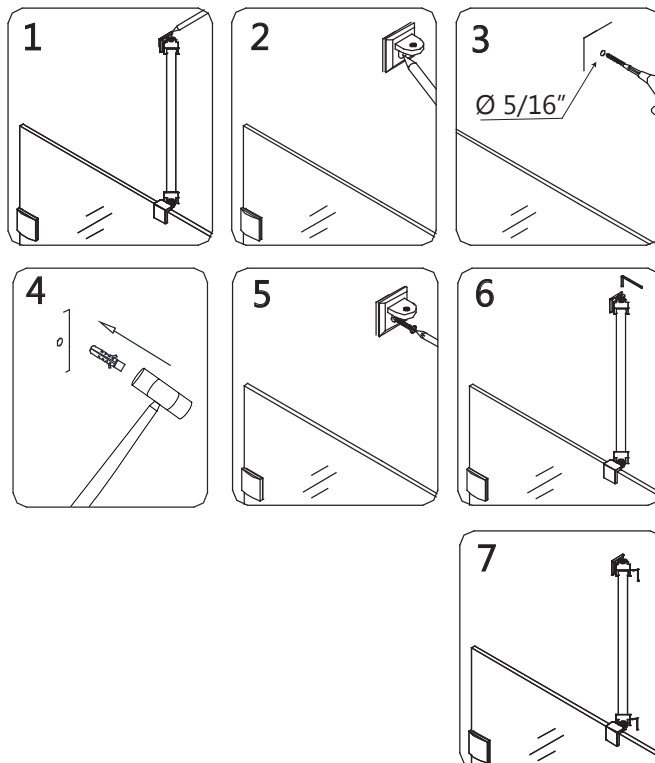


Fig 7

8. Align the hinges with the edge of the glass and attach the Hinges (03) to the Stationary glass (01) with the decorative bolts facing inside the shower.

***Bring the Glass door (04) into the tub area and align it with the Stationary glass (01).**

Fasten the **Hinges (03)** onto the **Glass door (04)**.

Make sure the top edges of the **Glass door (04)** and the **Stationary glass (01)** are aligned.

See Fig 8 & 9 for details

***TIP:** Use a 3/4" shim beneath the door glass to assist with aligning the door glass with the installed hinges and to maintain the proper spacing beneath the door glass.

Note: Use the same combination of hinge gaskets on both hinges for the inside and outside hinge plates.

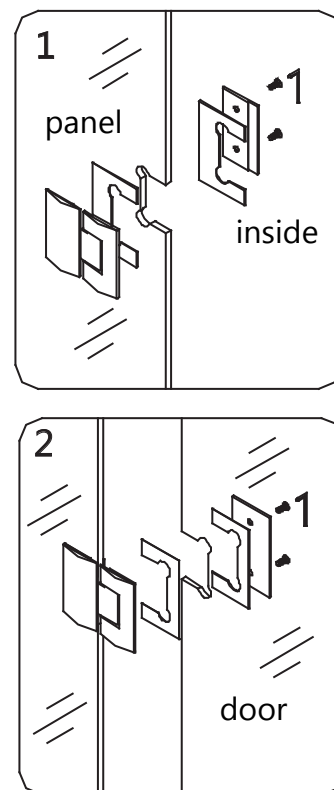


Fig 8

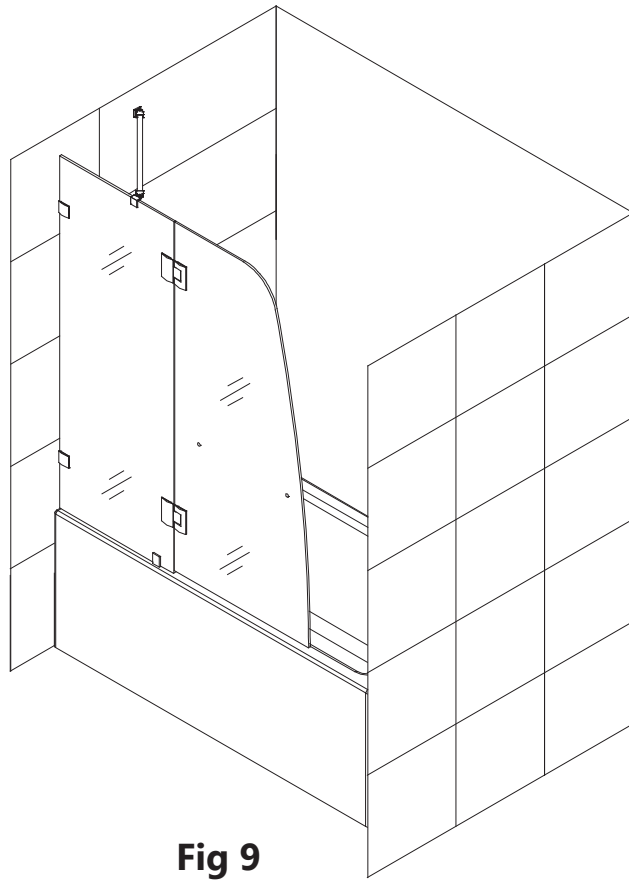


Fig 9

9. Install the **Handle (05)** onto the outside of the **Glass door (04)** only. Make sure to use the supplied gaskets and sleeves to protect the glass. Attach the **Bottom anti-water strip (10)** over the bottom edge of the **Glass door (04)**.

See Fig 10 for details

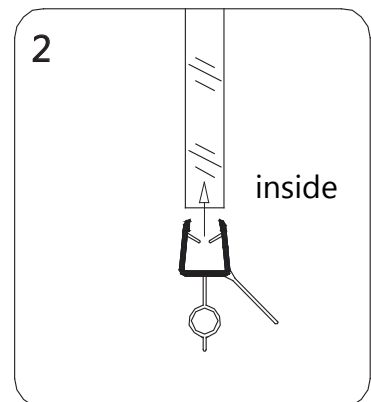
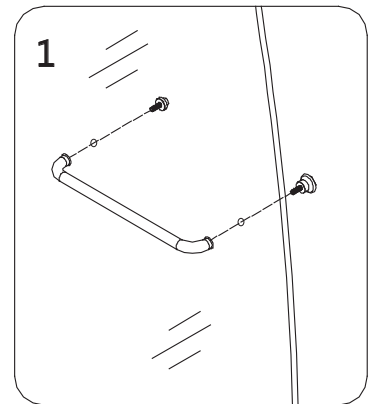


Fig 10

10. Take three measurements:

- from the top edge of the **Glass door (02)** to the top of the center portion of the top **Hinge (06)** (see Fig 11.1 for an example to use for all three measurements)
- from the bottom of the center portion of the top Hinge to the top of the center portion of the bottom **Hinge (06)**
- from the bottom of the center portion of the bottom **Hinge (06)** to the threshold

Cut the **Flanged side strip (09)** according to the measurements.

Notch the cut strips to be able to slide them into the Hinges and around the installed **Bottom anti-water strip (10)** to cover the space between both glass panels (Figs 11.2, 11.4, 11.6).

With the Glass door open, press the cut strips onto the vertical edge of the **Glass door (02)** as shown.

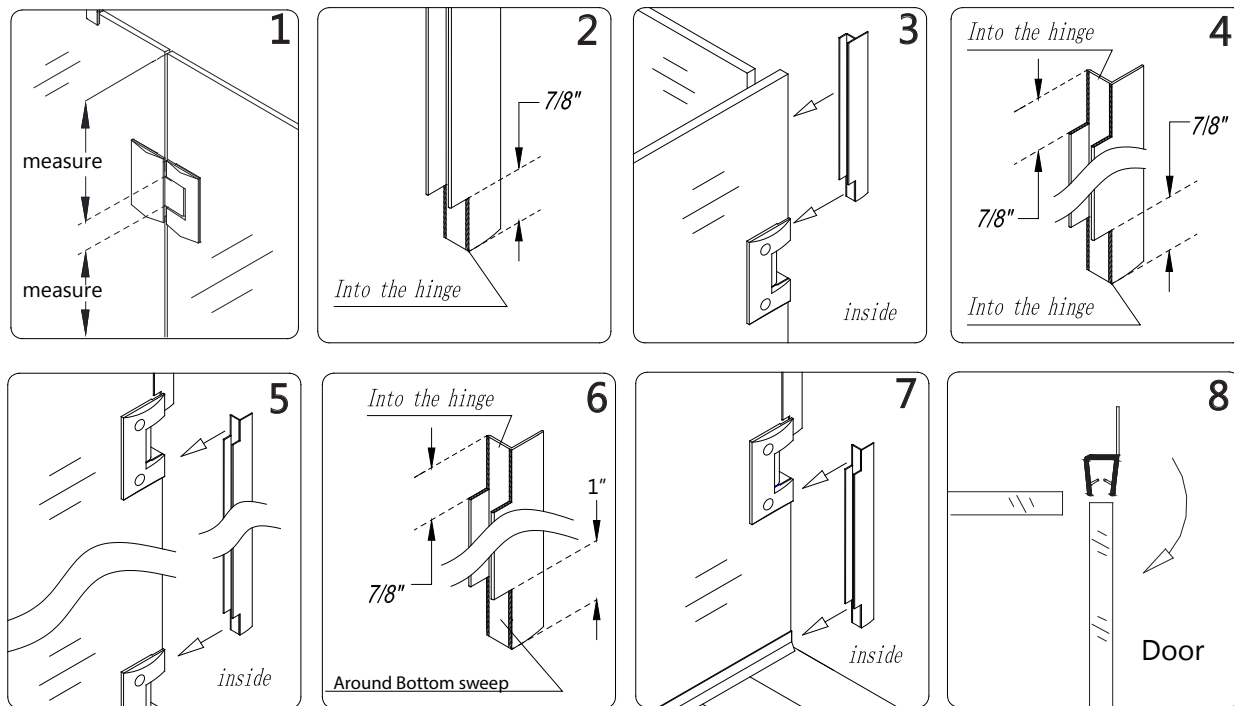


Fig 11

11. Apply good quality mildew-resistant silicone along the connection of the stationary glass with the wall and the tub surface.

Allow 24 hours for the silicone to fully cure before using the shower.

See Fig 13 for details

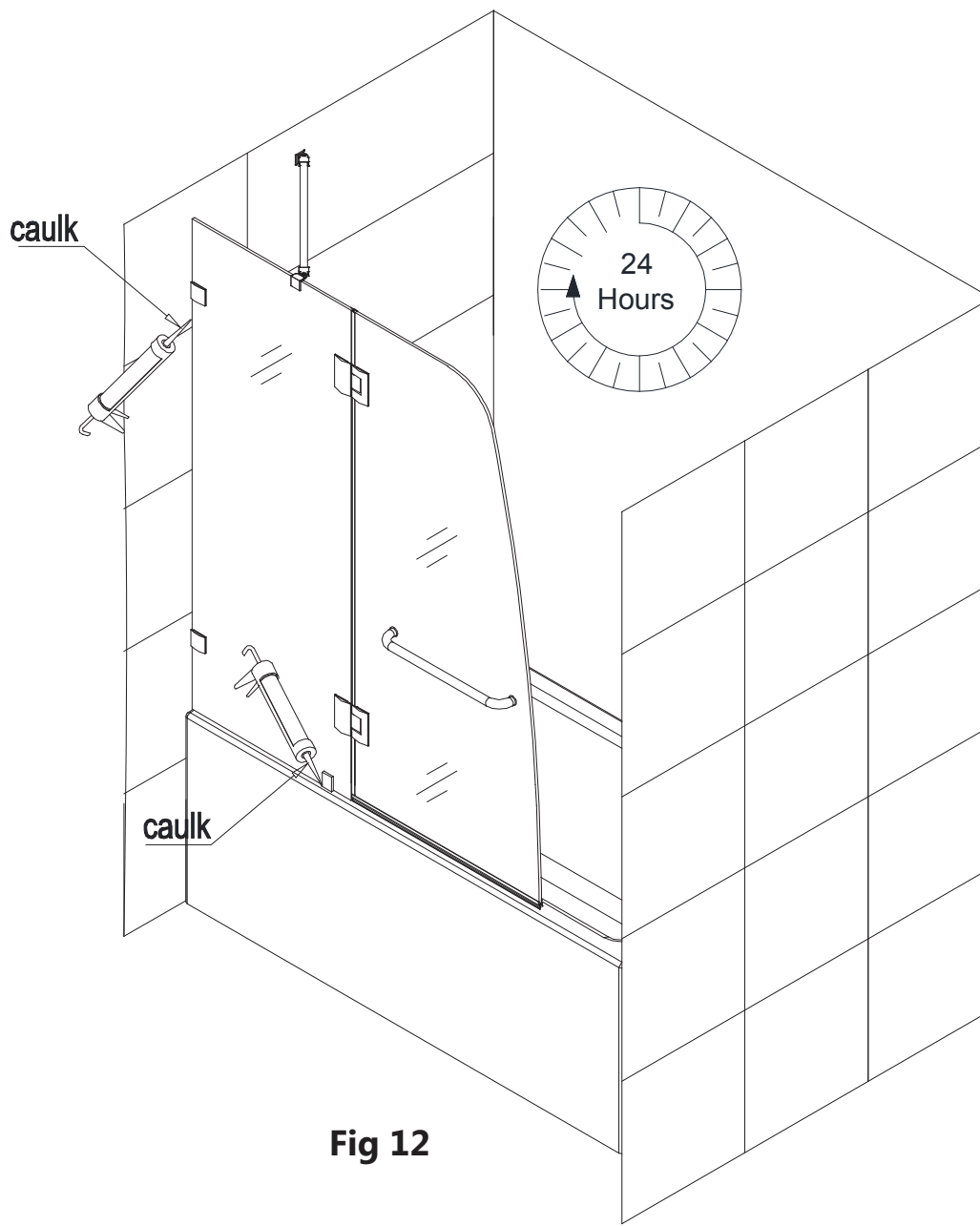


Fig 12

Product Maintenance

BASES and BACKWALLS: To ensure a long life for your acrylic back walls: wipe them off after each use with a soft cloth. To clean the acrylic back walls use non-abrasive sprays or cream based cleaners. Never use abrasive cleansers, metal brushes or scrapers that could scratch or dull the surface.

GLASS: To ensure long lasting life for your glass shower products: wipe them off after each use with a soft cloth. Rinse and wipe off the glass using either a soft cloth or a squeegee to prevent soap buildup and water spots. To prevent scratching the surface: never use abrasive cleaners and cleaning products that contain scouring agents. Never use bristle brushes or abrasive sponges.

HARDWARE: To ensure a long lasting finish: wipe off the metal parts after each use with a soft cloth. Do not use abrasive cleaners or cleaning products containing ammonia, bleach or acid. If accidentally used, rinse the surface as soon as possible to prevent finish peeling or corrosion. After cleaning the shiny finishes, rinse thoroughly and wipe dry with soft cloth. Never use an abrasive sponge or cloth, steel wool or wired brush as these may permanently scratch the surface.



TEL: 866-731-2244
FAX: 866-857-3638
DREAMLINE.COM

For more information on DreamLine[®] Shower Doors and Enclosure please visit **DreamLine.com**