

The logo features the word "Kraus" in a white, serif font on a black background. The letter "K" is stylized with a vertical line through it. Above the "a" and "u" are three small white circles, resembling water droplets. A registered trademark symbol (®) is located to the upper right of the "s".

Kraus[®]

INSTALLATION MANUAL

Geo Arch Single Lever Pull-Down Kitchen Faucet With Soap Dispenser

KPF-1702

Thank you for your purchase

We would like to take this opportunity to thank you for choosing Kraus. We hope that you are completely satisfied with your purchase, and enjoy it for years to come. If you have any questions, or require technical assistance, please contact us at 800.775.0703 and one of our representatives will be happy to help.

For more information about Kraus products, please visit:

www.kraususa.com

In order to activate your warranty and get faster access to customer support, please register your new Kraus product at:

www.kraususa.com/registration

Sincerely,

Kraus USA Customer Service

Prior to Installation:

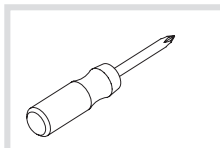
- Make sure you have all necessary parts by checking the diagram and parts list. If any part is missing or damaged, please contact Kraus Customer Service at 800-775-0703 for a replacement
- Turn off the hot and cold water supply at the angle stops and turn on the old faucet to release any built up pressure. Remove existing faucet. Clean sink or countertop to remove any debris, plumber's putty, or silicone
- Place bucket under angle stops. Turn on to flush any debris prior to installing new plumbing. Shut off angle stops
- Pre-drilled hole size requirement: 1-3/8"
- Max countertop thickness without deck plate: 1-3/8"
- 1, 2, or 3 hole installation

For technical assistance or replacement parts, please contact Kraus Customer Service and one of our representatives will be happy to help:
Toll-Free: 800-775-0703 or Customerservice@kraususa.com

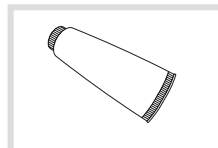
Tools you will need



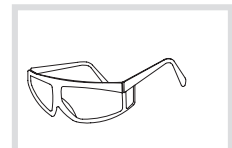
Adjustable Wrench



Phillips Screwdriver

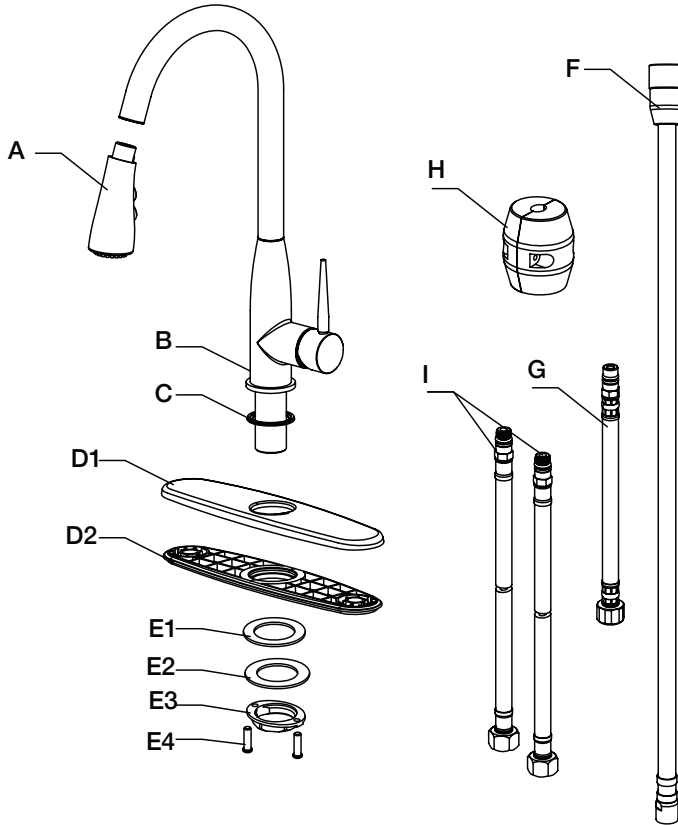


Silicone Sealant
(optional)



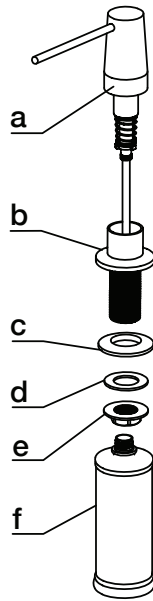
Safety Goggles

Faucet Diagram and Parts List



- | | |
|-------------------------------|--------------------------|
| A. Spray Head | E3. Mounting Nut |
| B. Faucet Body | E4. Mounting Screws (2) |
| C. Base O-Ring | F. Spray Hose |
| D. Deck Plate Assembly | G. Supply Hose |
| D1. Deck Plate | H. Weight |
| D2. Base Plate | I. Hot & Cold Waterlines |
| E. Mounting Hardware Assembly | |
| E1. Rubber Washer | |
| E2. Metal Washer | |

Soap Dispenser Diagram and Parts List



a. Pump

b. Dispenser Base

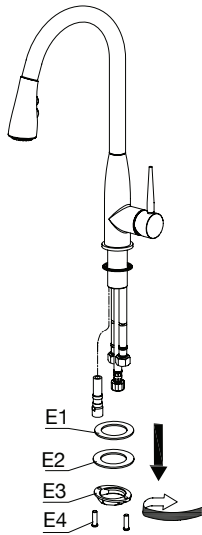
c. Rubber Washer A

d. Rubber Washer B

e. Mounting Nut

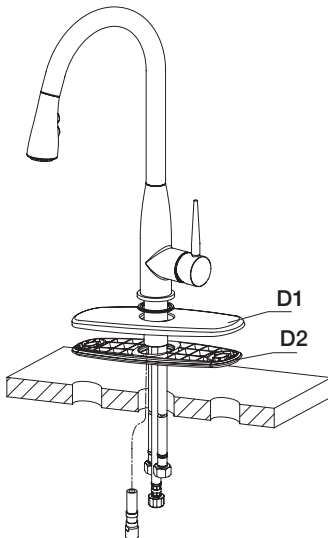
f. Dispenser Bottle

Step 1



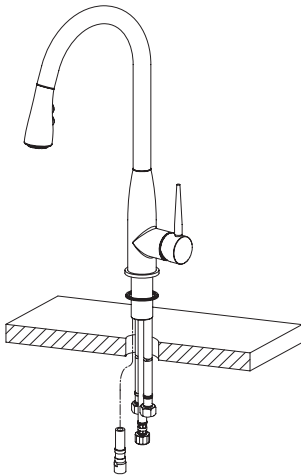
Remove the mounting hardware (E)

Step 2A



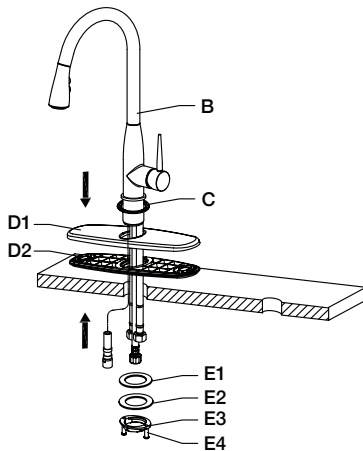
For three-hole installation, deck plate assembly (D) and silicone sealant are required

Step 2B



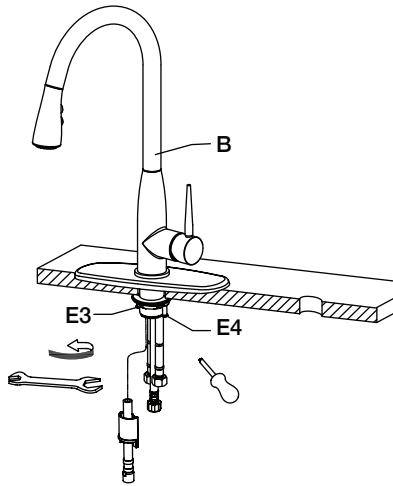
For single-hole installation, deck plate assembly (D), and silicone sealant are NOT required

Step 3



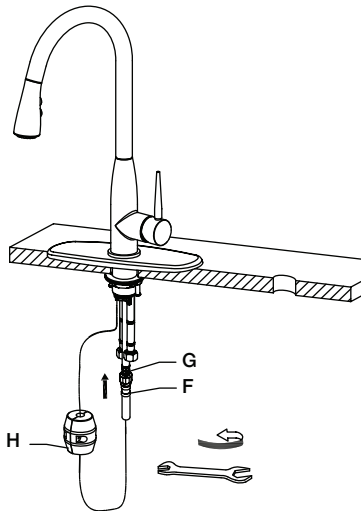
Insert faucet body (B) into hole on countertop or deck plate assembly (D) with base o-ring (C) attached. Attach mounting hardware (E)

Step 4



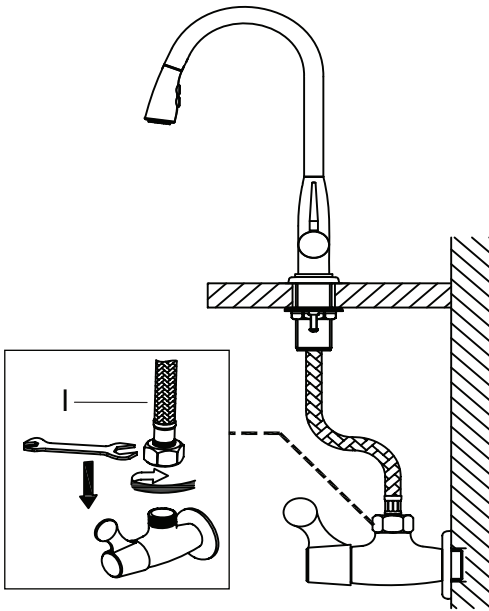
Adjust faucet body (B).
Tighten mounting nut (E3)
with wrench and mounting
screws (E4) with Phillips
head screwdriver

Step 5



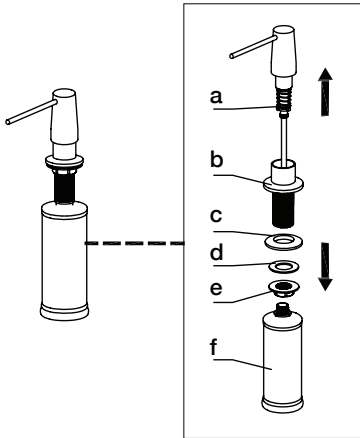
Connect spray hose (F)
to supply hose (G). Tighten
with wrench until snug.
Install weight (H) on lowest
point vertically on spray
hose (F)

Step 6



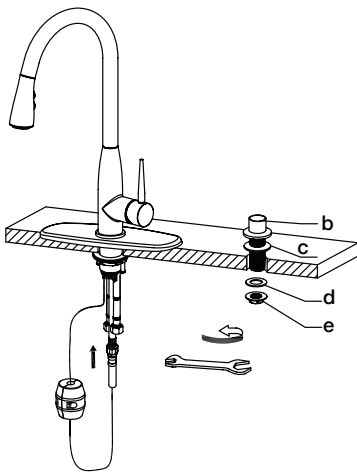
Thread hot & cold waterlines (I) onto angle stops. Tighten with adjustable wrench until snug. Turn on angle stops and check for leaks (DO NOT TURN ON)

Step 7



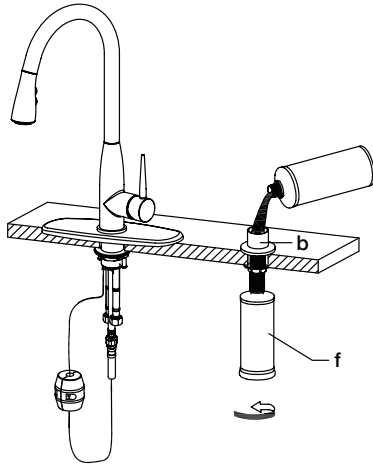
Disassemble soap dispenser

Step 8



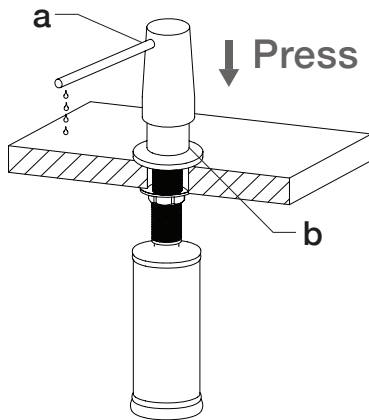
Install dispenser base (b) with rubber washer (c) attached into hole on countertop. Re-install rubber washer (d) and mounting nut (d) on dispenser base (e) from underneath countertop. Tighten mounting nut (e) with adjustable wrench until snug

Step 8



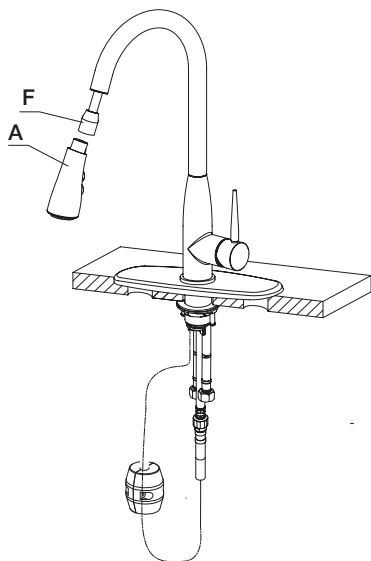
Screw dispenser bottle (f) to dispenser base (b) from underneath counter-top. Tighten until snug. Fill dispenser bottle (f) from the top with 12 ounces of soap

Step 9



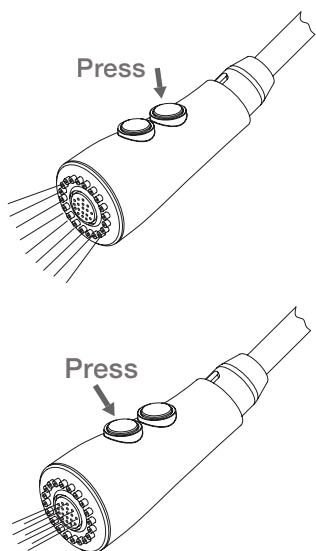
Insert pump (a) into dispenser base (b) from top. Press pump several times to make sure soap evenly distributed

Step 10



Remove the spray head (A).
Hold tip of spray hose (F). Turn
on faucet for 1 minute to flush
any debris

Step 11



Turn faucet on. Press button
on spray head (A) to check if
spray head (A) switches modes
properly

Care & Maintenance

*To keep the product clean & shining, follow the steps below:

1. Rinse with clean water & dry with a soft cloth
2. Do not clean with soaps, acid, polish, abrasives, or harsh cleaners
3. Do not use cloth with a coarse surface
4. Unscrew the aerator and clean when necessary

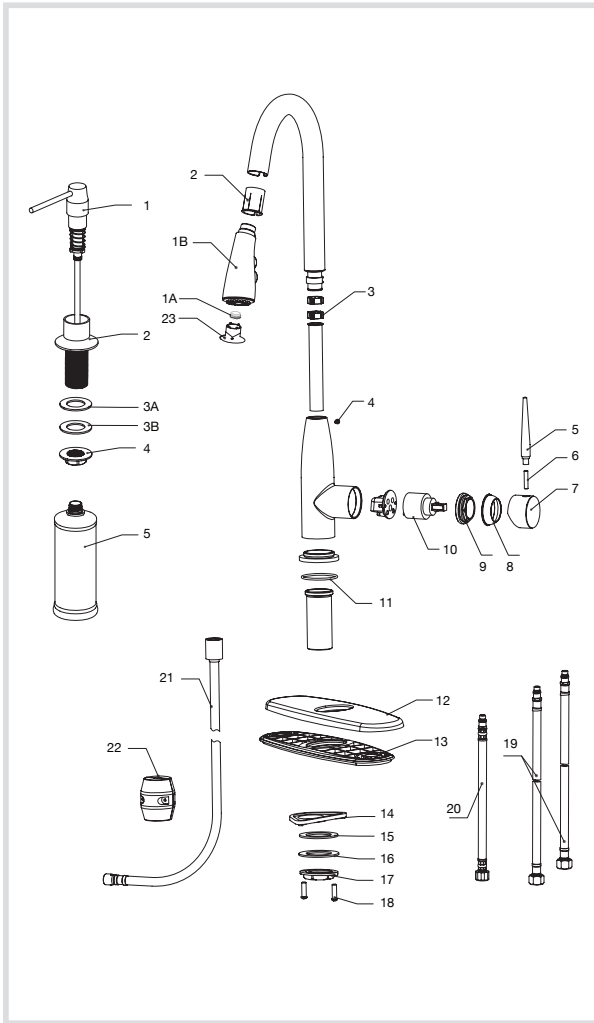
*This installation manual is subject to change without further notice.



Download the Kraus Care & Maintenance Guide at:

<http://www.kraususa.com/maintenance>

Replacement Parts



Faucet Parts

- 1A. Aerator
- 1B. Spray Head
2. Hose Guide
- 3.. Deck Plate
4. Set Screw
5. Lever
6. Set Screw
7. Handle
8. Cartridge Cover
9. Locking Nut
10. Cartridge
11. Base O-Ring
12. Deck Plate
13. Base Plate
14. Spacer – Optional
(Top Mount Sinks Only)
15. Rubber Washer
16. Metal Washer
17. Mounting Nut
18. Mounting Screws
19. Hot & Cold Waterlines
20. Supply Hose
21. Spray Hose
22. Weight
23. Aerator Key

Soap Dispenser

1. Pump
2. Dispenser Base
- 3A. Rubber Washer
- 3B. Rubber Washer
4. Mounting Nut
5. Dispenser Bottle

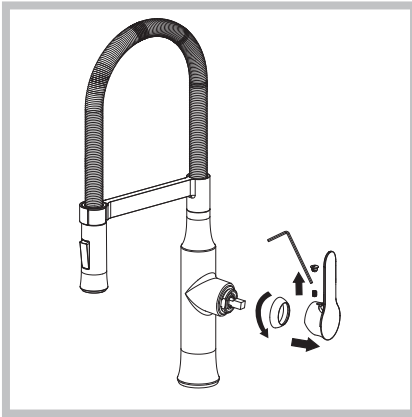
Trouble - Shooting

If you have followed the instructions carefully and your faucet still does not work properly, take the following corrective steps:

| PROBLEM | CAUSE | ACTION |
|------------------------------------|--|---|
| Leaking from faucet handle | Locking nut (11) may have come loose or cartridge (12) may need to be reseated | Remove cover button (7). Loosen set screw (8) with 2.5 mm hex wrench (18). Remove handle (9). Unscrew cartridge cover (10) by hand. Tighten locking nut (11) with an adjustable wrench |
| Water does not shut off completely | Cartridge (12) may need to be adjusted or replaced | Remove cover button (7). Loosen set screw (8) with 2.5 mm hex wrench (18). Remove handle (9). Unscrew cartridge cover (10) by hand. Unscrew locking nut (11) with an adjustable wrench. Remove cartridge (12). Check for cracks, and if O-ring is seated correctly. Reseat cartridge (12) |

| PROBLEM | CAUSE | ACTION |
|-------------------------------------|---|---|
| Leaking between spray head and hose | Spray head (1A) may be loose or washer (2) may not be seated correctly in the hose connection | Tighten spray head (1A) by hand until snug. Make sure washer (2) is seated correctly |
| Low flow | Check valve connector (5) may be clogged with debris | Loosen set screw (6). Remove spray hose & spring (3). Unscrew check valve connector (5) located at the bottom of spray hose & spring (3). Soak in 50/50 solution of warm water and vinegar for 5 minutes. Reinstall check valve connector (5) and spray hose & spring (3) |

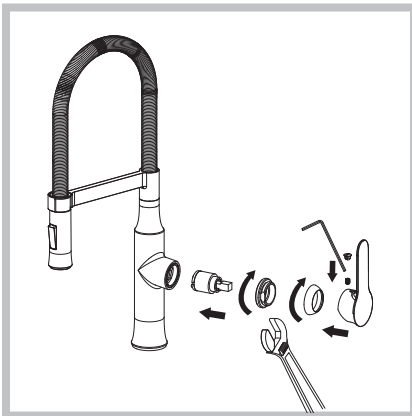
Maintenance - Cartridge Replacement



Step 1: Remove button located at the top of the handle. Loosen the set screw with a hex wrench. Remove the handle and unscrew cartridge cover by hand



Step 2: Unscrew the locking nut with an adjustable wrench. Remove ceramic disc cartridge



Step 3: Place the new cartridge in the handle seat. Secure the cartridge with the locking nut and assemble the handle

Codes/Standards Applicable:



NSF/ANSI Standard 61 certified by IAPMO
NSF/ANSI Standard 372 certified by IAPMO



Meets ASME A112.18.1M/A112.18.1
1.75GPM 6.6L/min maximum

HELP LINE

Our customer service hours are Monday – Friday, 9am – 8pm EST.
Be sure to visit our website at www.kraususa.com

If you are a homeowner please contact a Kraus Customer Service Representative at:

Kraus USA, Inc.
12 Harbor Park Drive
Port Washington, NY 11050
Toll-free 800-775-0703
Customerservice@kraususa.com

If you are a plumbing contractor or trade professional please contact a Kraus Pro Representative at:

Kraus USA, Inc.
12 Harbor Park Drive
Port Washington, NY 11050
516-801-8955
Proservice@kraususa.com

If you are an Authorized Partner please contact a Partner Support Representative at:

Kraus USA, Inc.
12 Harbor Park Drive
Port Washington, NY 11050
516-801-8954
Partnersupport@kraususa.com

In requesting warranty service, please be ready to provide:

1. Proof of purchase.
2. A description of the problem.

Kräus[®]

www.kraususa.com

REGISTER YOUR PRODUCT TODAY

Receive Proof of Ownership
Access Customer Care & Installation Help
Get Exclusive Kraus Offers & Promotions



Scan to Register Online
or visit <http://www.kraususa.com/registration>

We're always looking for ways to improve.

Please take a moment to share your experience.
Visit <http://www.kraususa.com/review> to let us know what you think
about your new Kraus product.

Contact Us to Learn More
1.800.775.0703 / www.kraususa.com / customerservice@kraususa.com
Like & Follow KrausUSA

Download the Kraus Care & Maintenance Guide at:
<http://www.kraususa.com/maintenance>



Kräus[®]

www.kraususa.com

Kräus[®]

INSTALLATION MANUAL

Soap Dispensers

KSD-30

KSD-33

KSD-35

KSD-41

KSD-42

SD-20

SD-25

Thank you for your purchase

We would like to take this opportunity to thank you for choosing Kraus. We hope that you are completely satisfied with your purchase, and enjoy it for years to come. If you have any questions, or require technical assistance, please contact us at 800.775.0703 and one of our representatives will be happy to help.

For more information about Kraus products, please visit:

www.kraususa.com

In order to activate your warranty and get faster access to customer support, please register your new Kraus product at:

www.kraususa.com/registration

Sincerely,

Kraus USA Customer Service

PRIOR TO INSTALLATION

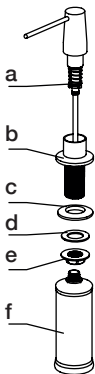
- Make sure you have all necessary parts by checking the diagram and parts list. If any part is missing or damaged, please contact Kraus Customer Service at 800-775-0703 for a replacement
- Pre-drilled hole size requirement: 1-1/4"
- Max countertop thickness without deck plate: 1-3/8"

For technical assistance or replacement parts, please contact Kraus Customer Service and one of our representatives will be happy to help:

Toll-Free: 800.775.0703 or Customerservice@kraususa.com

The step-by-step guidelines in the installation instructions are a general reference for installing a Kraus Sink. Should there be any discrepancies, Kraus cannot be held liable. It is recommended to install all Kraus products by hiring a licensed professional.

GDA-1 Diagram and Parts List:



- a. Pump*
- b. Dispenser Base*
- c. Rubber Washer A*
- d. Rubber Washer B*
- e. Mounting Nut*
- f. Dispenser Bottle*

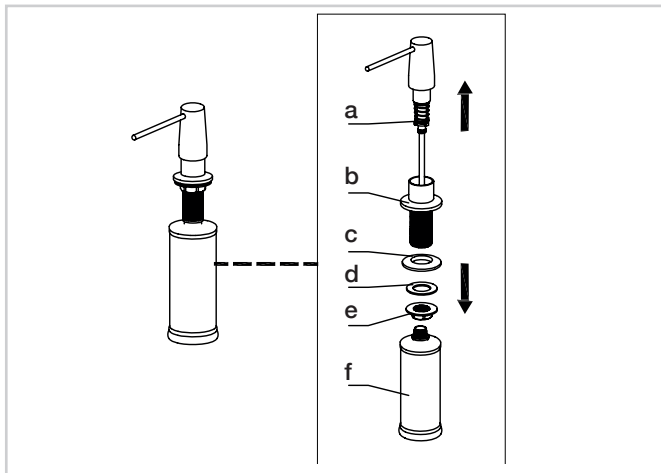
TOOLS REQUIRED:



*Adjustable Wrench

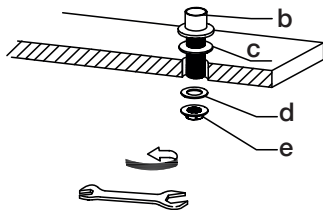
Step 1

Disassemble soap dispenser



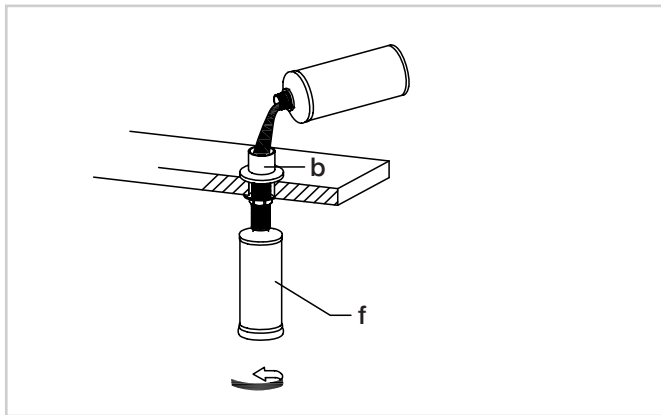
Step 2

Install dispenser base (b) with rubber washer A (c) attached into the hole in the countertop. Re-install rubber washer B (d) and mounting nut (e) on the dispenser base (b) from underneath the countertop. Tighten mounting nut (e) with adjustable wrench until snug



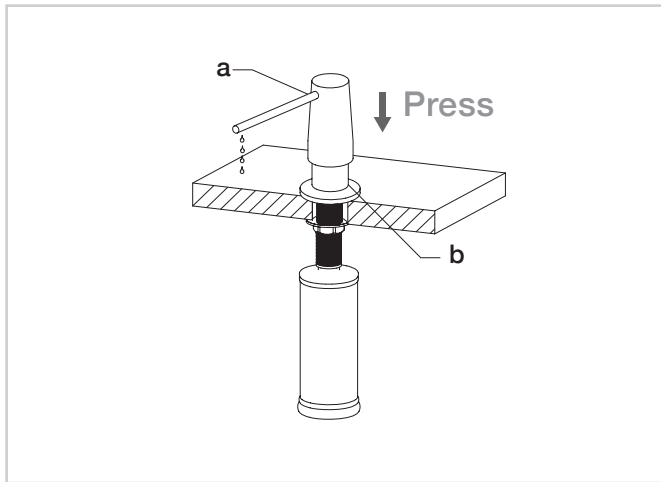
Step 3

Screw the dispenser bottle (f) to the dispenser base (b) from underneath the countertop. Tighten as required. Fill the dispenser bottle (f) from the top with 12 ounces of soap



Step 4

Insert pump (a) into dispenser base (b) from the top. Press the pump several times to make sure soap is evenly distributed



HELP LINE

Our customer service hours are Monday – Friday, 9am – 8pm EST.

Be sure to visit our website at www.kraususa.com

If you are a HOMEOWNER please contact a Kraus Customer Service Representative at:

Kraus USA, Inc.
12 Harbor Park Drive
Port Washington, NY 11050
Toll-free 800-775-0703
Customerservice@kraususa.com

If you are a PLUMBING CONTRACTOR OR TRADE PROFESSIONAL please contact a Kraus Pro Representative at:

Kraus USA, Inc.
12 Harbor Park Drive
Port Washington, NY 11050
516-801-8955
Proservice@kraususa.com

If you are an AUTHORIZED PARTNER please contact a Partner Support Representative at:

Kraus USA, Inc.
12 Harbor Park Drive
Port Washington, NY 11050
516-801-8954
Partnersupport@kraususa.com

In requesting warranty service, please be ready to provide:

1. Proof of purchase.
2. A description of the problem.

Kräus®

www.kraususa.com

REGISTER YOUR PRODUCT TODAY

Receive Proof of Ownership

Access Customer Care & Installation Help

Get Exclusive Kraus Offers & Promotions



Scan to Register Online or visit
<http://www.kraususa.com/registration>

We're always looking for ways to improve.

Please take a moment to share your experience.

Visit <http://www.kraususa.com/review> to let us know what you think about your new Kraus product.

Contact Us to Learn More

1.800.775.0703 / www.kraususa.com / customerservice@kraususa.com

Like & Follow KrausUSA

Download the Kraus Care & Maintenance Guide at:

<http://www.kraususa.com/maintenance>



Kräus[®]

www.kraususa.com