

SHOWER
Full Pressure Balancing System -
Shower (Rough & Trim)
G-7250-LM47S

GRAFF[®]

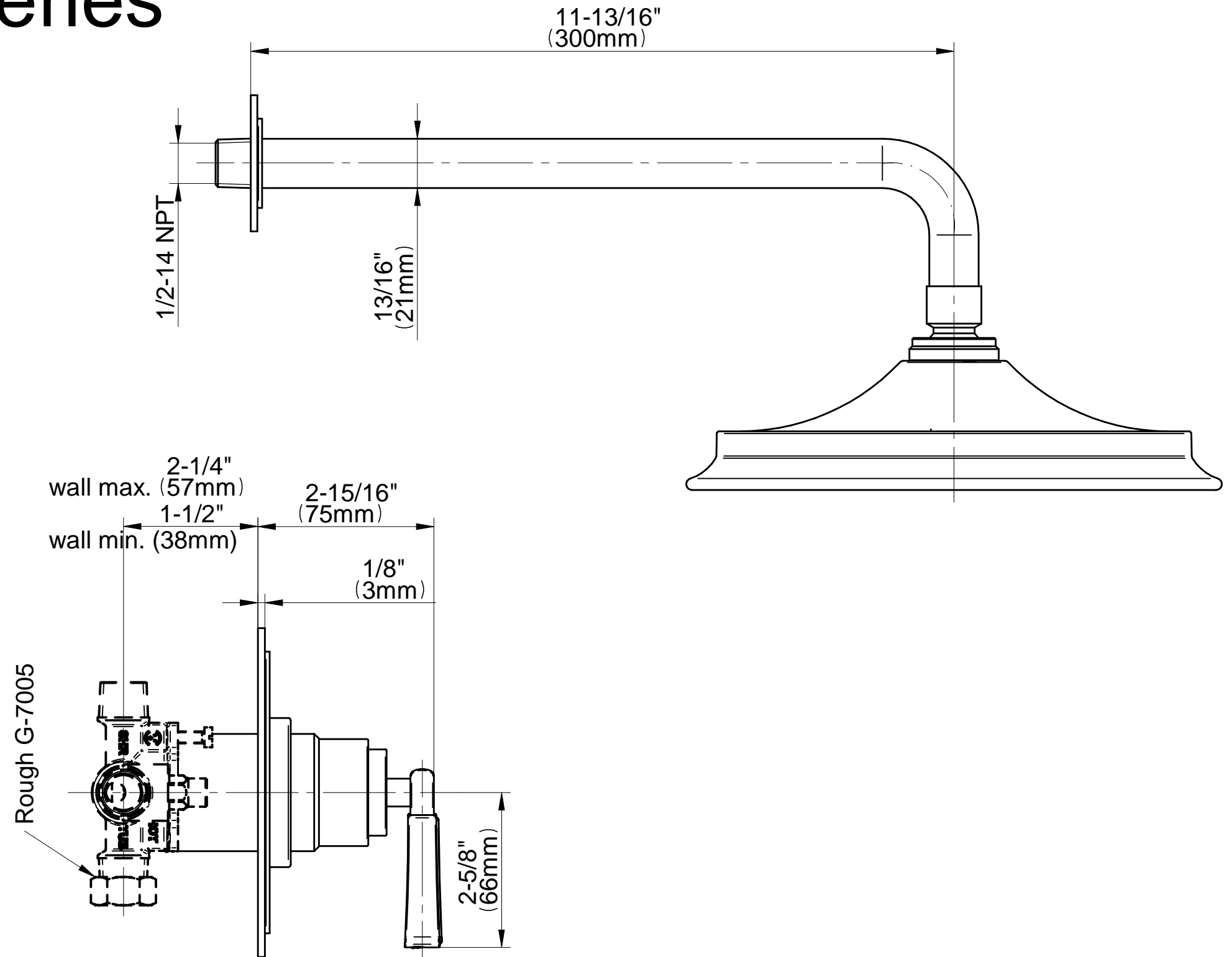
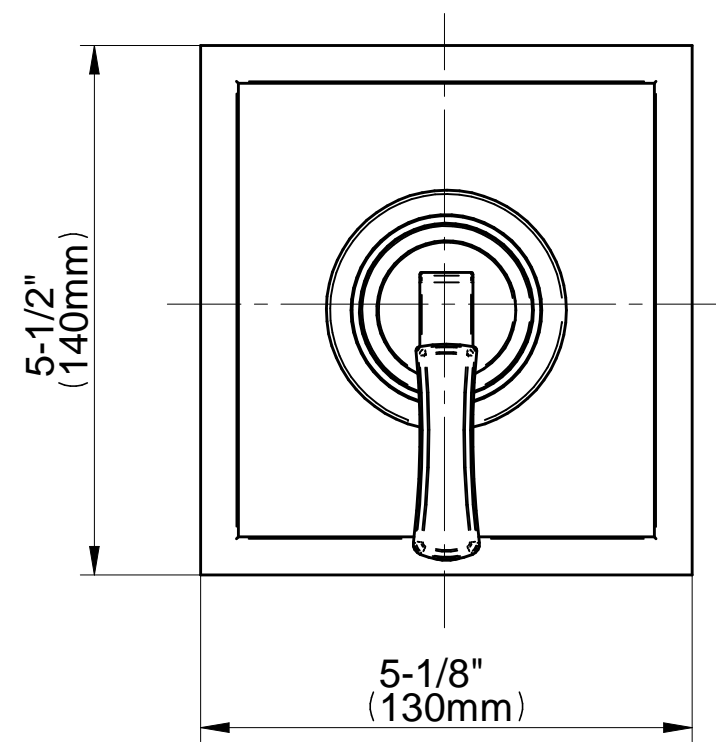
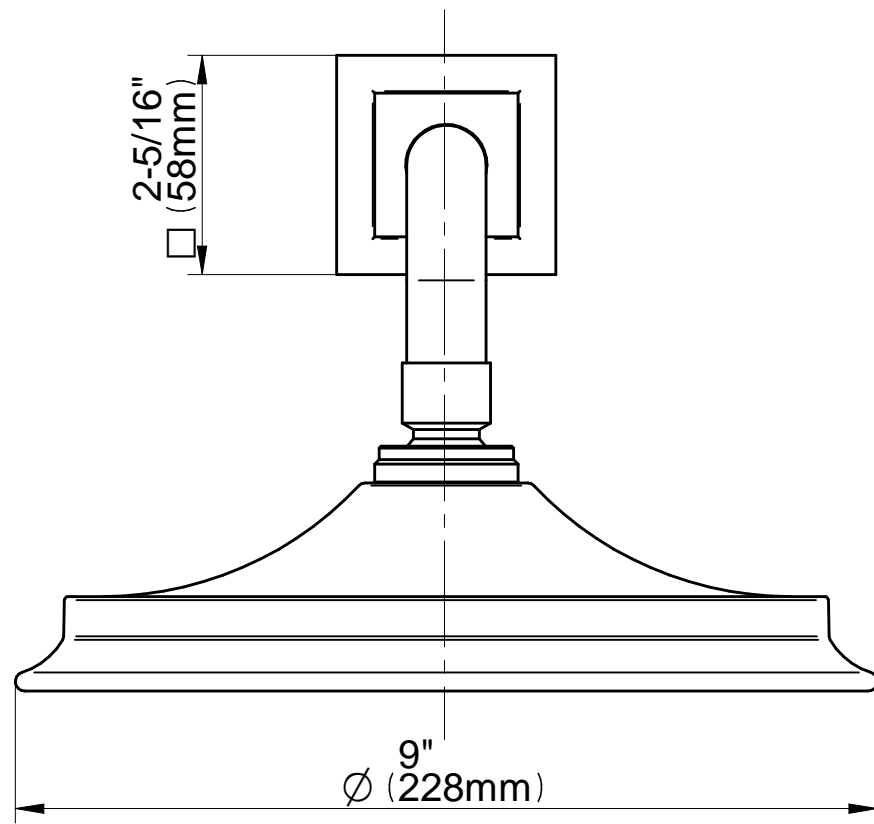


Information

- 1/2" rough valve, trim plate and handle
- 9" showerhead with 12" arm & flange
- Showerhead features no-clog, easy-clean spray nozzles
- Optional extension kit
- Showerhead flow rate ≤ 1.8 max gpm
- 1/2" rough valve flow rate ~ 7.5 gpm @60 psi
- ADA
- CALGreen

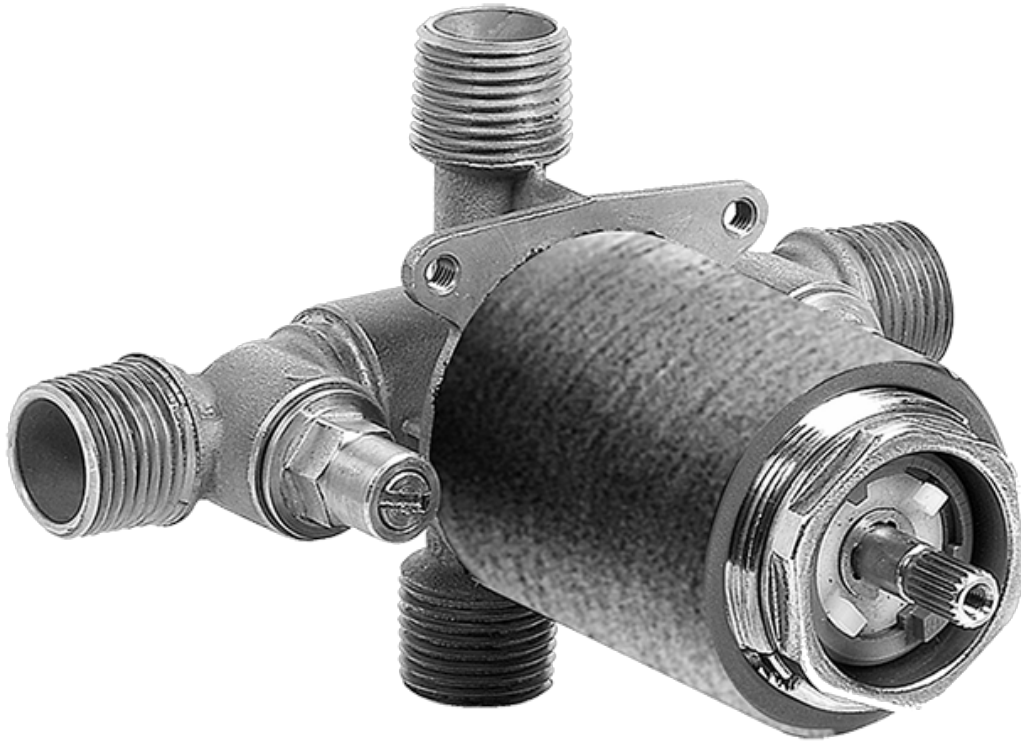
G-7250-LM47S

FINEZZA UNO Series



SHOWER
Concealed Pressure Balancing
Valve Rough
G-7005

GRAFF®



Information

- Anti-scald protection
- 1/2" universal inlets/outlets with male threads
- Built-in service stops
- For use with shower only configuration
- Supplied with protective plastic guard

Finishes



24K Gold



24K Brushed
Gold



Brushed
Nickel



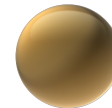
Olive Bronze



Polished
Chrome



Polished
Nickel



Unfinished
Brass

G-7005

Concealed Pressure Balancing Valve Rough



Product Features

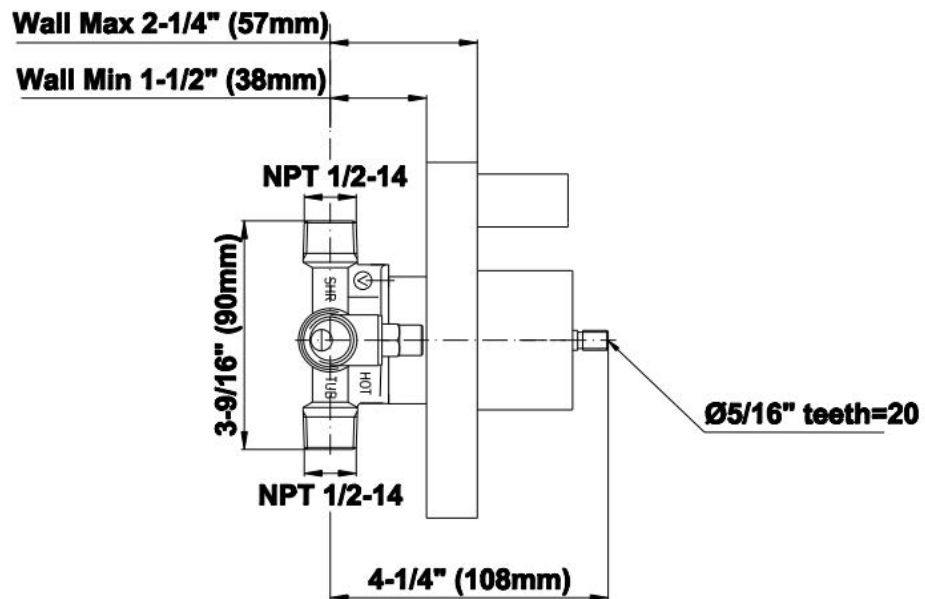
- Anti-scald protection
- 1/2" universal inlets/outlets with male threads
- Built-in service stops
- For use with shower only configuration
- Supplied with protective plastic guard

Warranty

- Limited lifetime warranty

For complete warranty information go to www.graff-faucets.com/en/info/faqs

Pressure Balance Rough G-7005

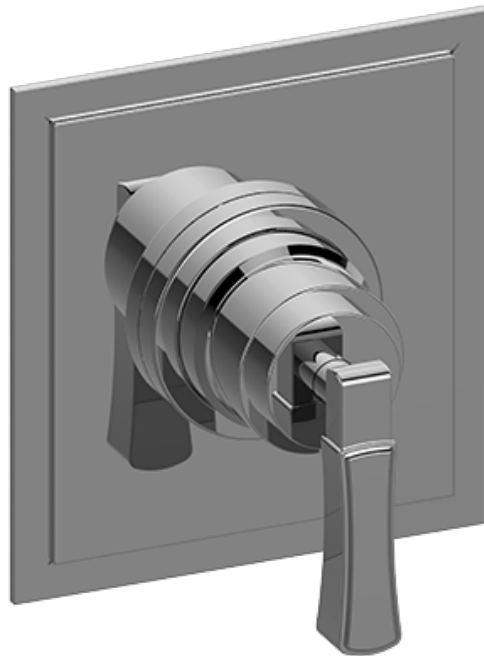


The measurements shown are for reference only. Products and specifications shown are subject to change without notice. Revised 7/2017.

www.graff-faucets.com | phone: 800-954-4723

SHOWER
Finezza Pressure Balancing Valve
Trim Plate with Handle
G-7045-LM47S-T

GRAFF[®]



Information

- Single metal handle and decorative trim plate
- Use with G-7005 Pressure Balancing rough valve
- ADA

Finishes



24K Gold



24K Brushed
Gold



Brushed
Nickel



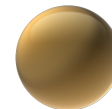
Olive Bronze



Polished
Chrome



Polished
Nickel



Unfinished
Brass

G-7045-LM47S-T

Finezza Collection

Pressure Balancing Valve Trim Plate with Handle

GRAFF[®]
CUTTING EDGE DESIGN



Product Features

- Single metal handle and decorative trim plate
- Use with G-7005 Pressure Balancing rough valve

Available Finishes

- Polished Chrome
G-7045-LM47S-PC-T
- Brushed Nickel
G-7045-LM47S-BNi-T
- Polished Nickel
G-7045-LM47S-PN-T
- Olive Bronze™
G-7045-LM47S-OB-T

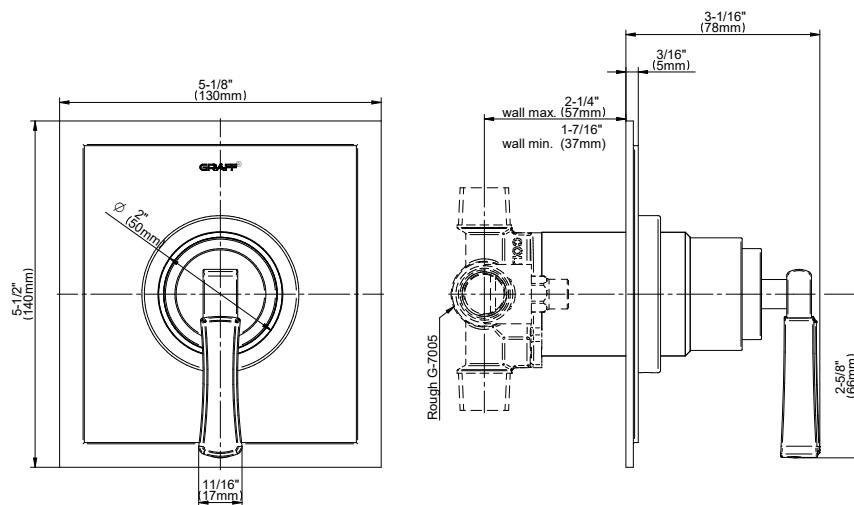
Code Compliance

- ADA

Warranty

- Limited lifetime warranty

For complete warranty information go to: www.graff-faucets.com/en/info/faqs



The measurements shown are for reference only. Products and specifications shown are subject to change without notice. Revised 05/2017

www.graff-faucets.com | phone: 800-954-4723

SHOWER
Finezza 9" Showerhead
G-8406

GRAFF®



Information

- 126 no-clog, easy-clean rubber spray nozzles
- Recommended use with ceiling shower arm
- Recommended for use at no more than 10 degrees tilt
- Showerhead flow rate ≤ 1.8 max gpm
- CALGreen

Finishes



24K Gold



24K Brushed
Gold



Brushed
Nickel



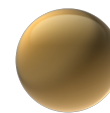
Olive Bronze



Polished
Chrome



Polished
Nickel



Unfinished
Brass

G-8406

Finezza Collection
9" Rain Showerhead

GRAFF[®]
CUTTING EDGE DESIGN

Product Features

- Sunflower shape
- 126 no-clog, easy-clean rubber spray nozzles
- Showerhead flow rate < 1.8 max gpm

Available Finishes

- Polished Chrome
G-8406-PC
- Brushed Nickel
G-8406-BNi
- Polished Nickel
G-8406-PN
- Unfinished Brass*
G-8406-UB*
- Olive Bronze
G-8406-OB*
- Gold*
G-8406-AU*
- Brushed Gold*
G-8406-BAU*

* Special order finish- call for availability

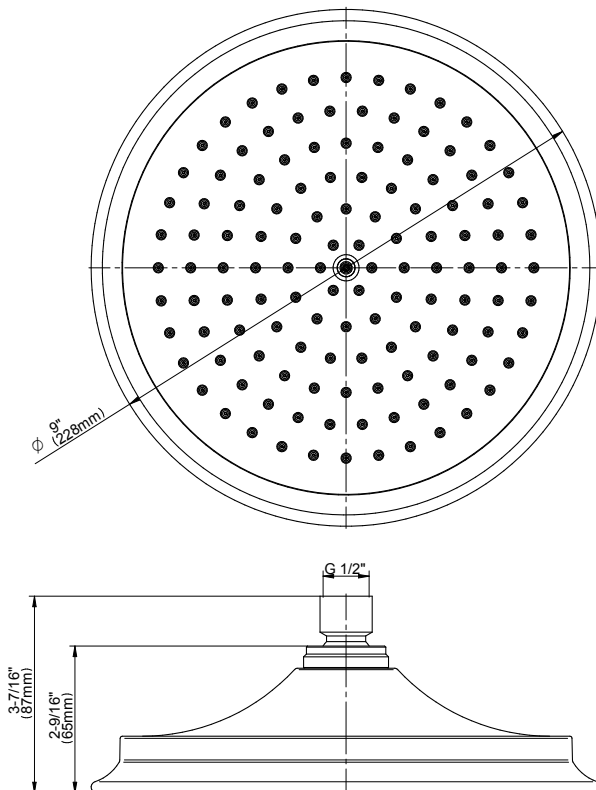
Code Compliance

- CALGreen

Warranty

- Limited lifetime warranty

For complete warranty information go to
www.graff-designs.com/en-nam/warranty



The measurements shown are for reference only. Products and specifications shown are subject to change without notice. Revised 12/2017

www.graff-designs.com | phone: 800-954-4723

SHOWER
Finezza 12" Shower Arm
G-8513

GRAFF[®]



Information

- Includes arm and solid flange
- 1/2" NPT male thread inlet
- For use with all showerheads (especially G-8406)

Finishes



24K Gold



24K Brushed
Gold



Brushed
Nickel



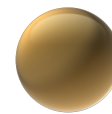
Olive Bronze



Polished
Chrome



Polished
Nickel



Unfinished
Brass

G-8513

Finezza Collection
12" Shower Arm

GRAFF[®]
CUTTING EDGE DESIGN



Product Features

- Includes arm and solid flange
- 1/2" NPT male thread inlet

Available Finishes

- Polished Chrome
G-8513-PC
- Brushed Nickel
G-8513-BNi
- Polished Nickel
G-8513-PN
- Olive Bronze™
G-8513-OB

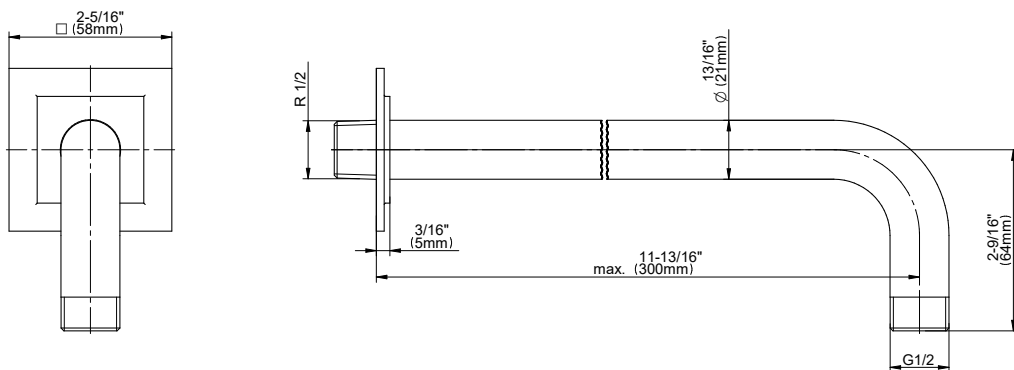
Optional Accessories

- For use with all showerheads especially G-8406-**

Warranty

- Limited lifetime warranty

For complete warranty information go to: www.graff-faucets.com/en/info/faqs



The measurements shown are for reference only. Products and specifications shown are subject to change without notice. Revised 01/2017

www.graff-faucets.com | phone: 800-954-4723