

Pax™ Zero Radius Series / KHU322

Handmade Undermount 50/50 Double Bowl Kitchen Sink

Satin Finish

Kräus®

SPECIFICATION SHEET

Material

16 Gauge Stainless Steel

Minimum Cabinet Size

Undermount : 36"

Installation Type

Undermount

Dimensions

Sink Dimensions: 31 1/2" x 18 1/2" x 10"

Bowl Type

Double Bowl Sink
Handmade

Accessories Included

KBG-H322-1 & KBG-H322-2, ST-3, Mounting
Hardware, Template, Towel

Technology

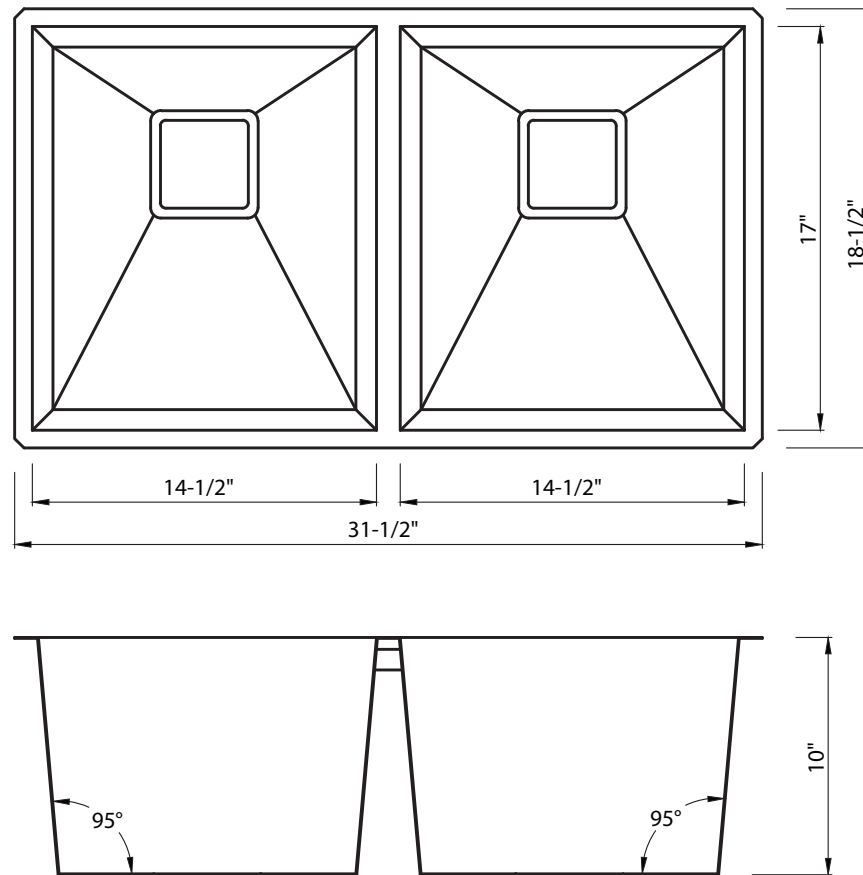
Noise Defend
EZ Stack

Optional Accessories

Garbage Disposal Adapter: GDA-1

Kraus Limited Lifetime Warranty: See website for details www.kraususa.com

1.800.775.0703 / customerservice@kraususa.com



Crespo™ / KPF-2730

Single Lever Flex Commercial Style Kitchen Faucet

Chrome / Stainless Steel Finishes

Kräus®

SPECIFICATION SHEET

Material

Body: Brass
Handle: Zinc
Sprayer: Plastic
Waterway: Brass

Spout

Swivel: 360
Design: Double Coil

Sprayhead

Flow Rate: 1.75 gpm (6.6L/min) @ 60 psi
Aerator: Neoperl/1.75GPM
Name: Cache Perlator Honeycomb
Function: Spray & Stream
Nozzles: Easy Clean Rubber Nozzles
Docking: Magnet

Cartridge

Brand: Kerox
Size: 35mm
Style: Lever

Mounting

Holes: 1 - 3 Holes
Type: Quick Dock

Waterlines

Type : Neoperl, 700mm
Flexible
Connections: 3/8"
Materials: Braided Nylon
Included
Factory Installed

Dimensions

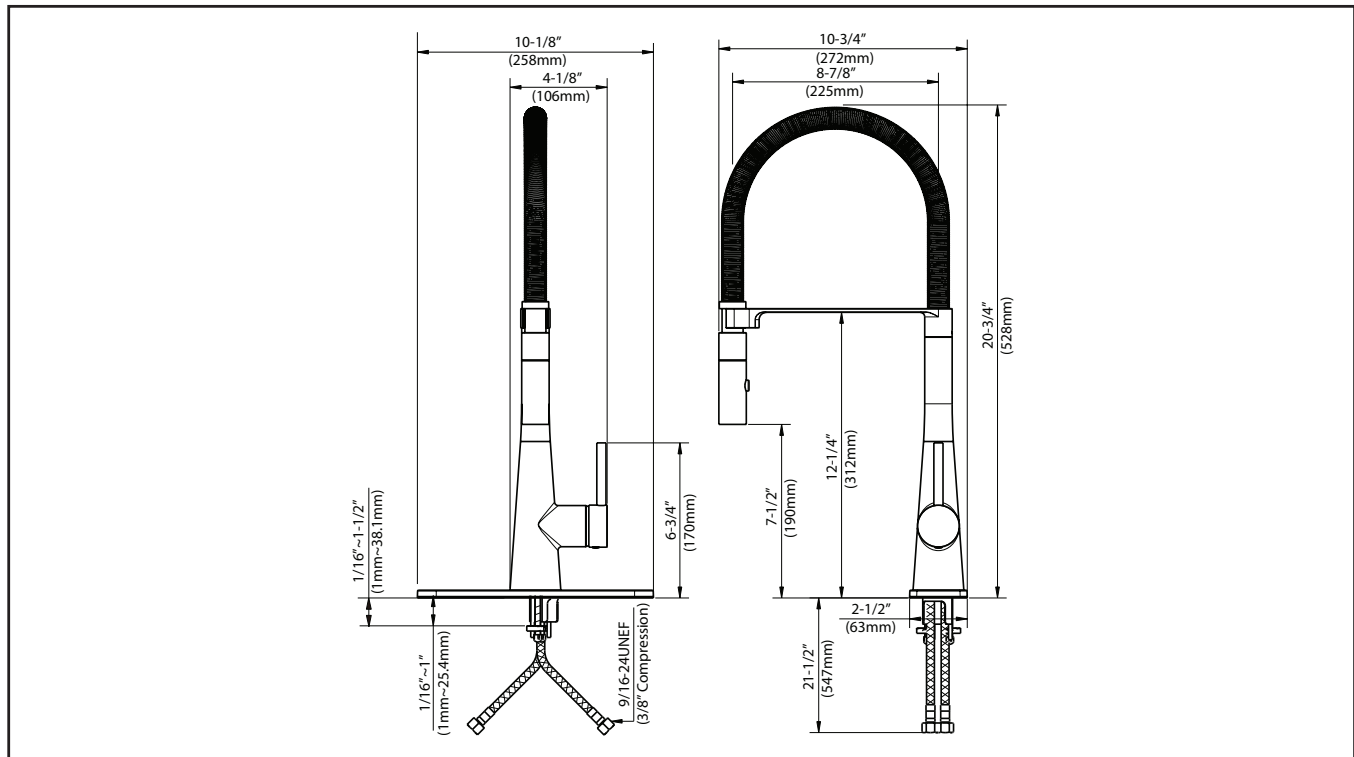
Faucet Dimensions: 20 3/4" x 8 7/8" x 2 1/2"
Handle Clearance: 1 1/4"

Accessories Included

Escutcheon Plate, Hex Wrench

Kraus Limited Lifetime Warranty: See website for details www.kraususa.com

1.800.775.0703 / customerservice@kraususa.com



Codes/Standards: Meets ASME A112.18.1/CSA B125.1, NSF/ANSI Standard 61 certified by IAPMO, NSF/ANSI Standard 372 certified by IAPMO, CAL GREEN, CEC, ADA

REV. August 16, 2016

KSD-41

Soap Dispenser

Kräus®

SPECIFICATION SHEET

Finish

- Chrome
- Stainless Steel

Material

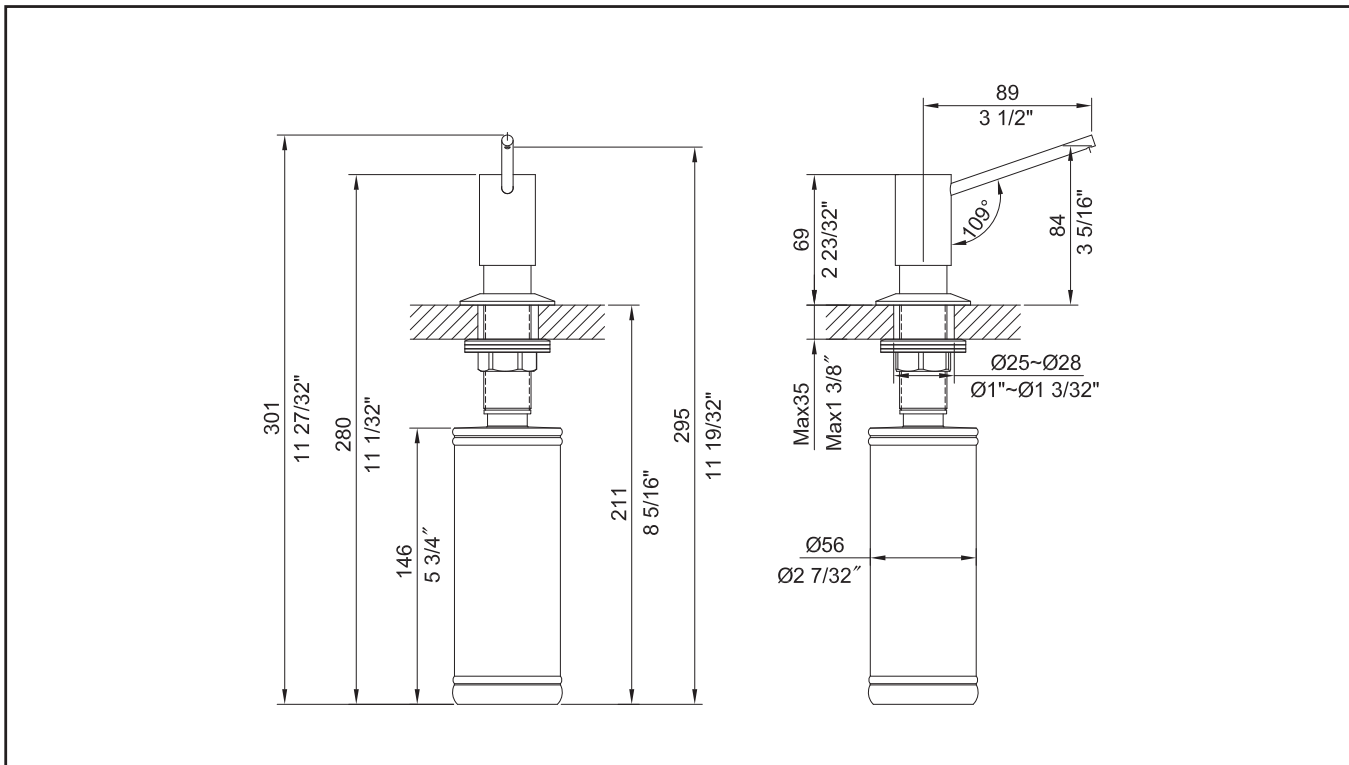
Brass

Features

- Solid Brass Construction
- Self-Priming Pump
- Refillable from Above
- Holds up to 12 oz. of Liquid
- Pump: 2-23/32"
- Spout: 3-1/2"

Kraus Limited Lifetime Warranty: See website for details www.kraususa.com

1.800.775.0703 / customerservice@kraususa.com



REV. August 18, 2016

KBG-H322

Stainless Steel Bottom Grid

Kräus®

SPECIFICATION SHEET

Finish

Stainless Steel

Material

Stainless Steel

Features

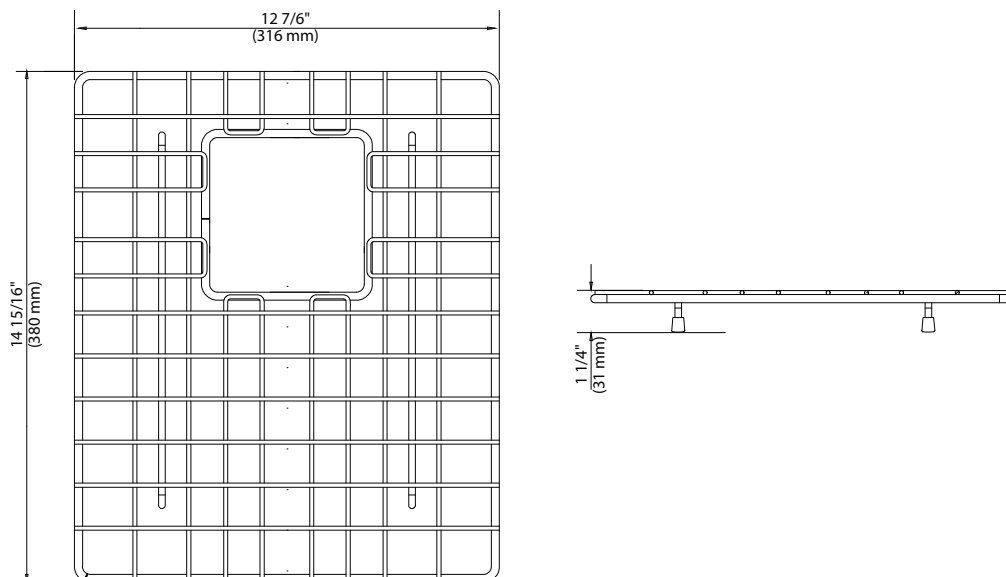
- Fits in either bowl of KHU322 kitchen sink
- Commercial grade stainless steel construction
- Protects bottom of sink from daily wear and tear
- Rubber feet provide additional protection
- Dishwasher Safe

Dimensions

12 7/16" x 14 5/16" x 1 1/4"

Kraus Limited Lifetime Warranty: See website for details www.kraususa.com

1.800.775.0703 / customerservice@kraususa.com



REV. August 16, 2016

ST-3

Pax Stainless Steel Strainer

Kräus®

SPECIFICATION SHEET

Finish

Stainless Steel

Material

Stainless Steel

Features

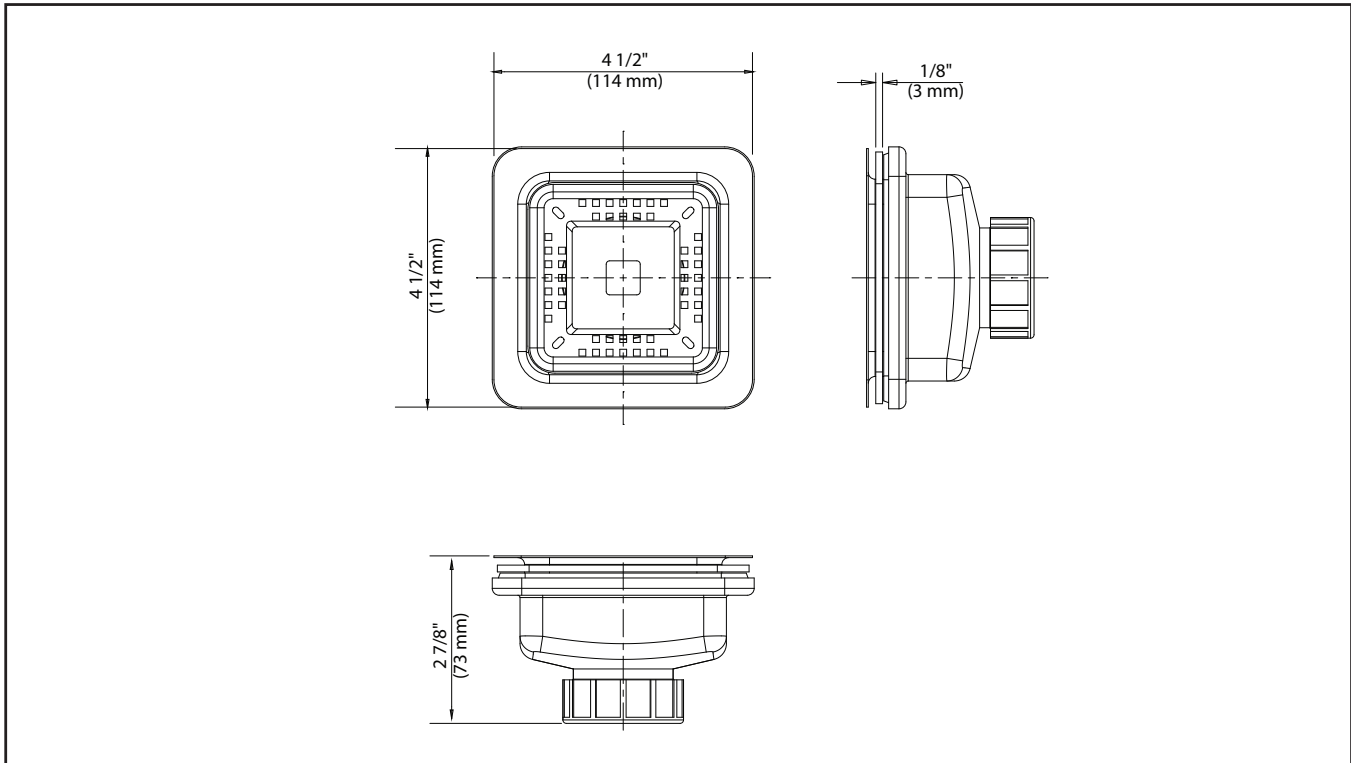
- Premium Stainless Steel Construction for Maximum Durability
- Modern Square Drain Design
- Coordinates w/ All Pax™ & R0 Pro™ Series Sinks
- Removable Strainer w/ Gasket for Secure Seal

Dimensions

4 1/2" x 4 1/2" x 2 7/8"

Kraus Limited Lifetime Warranty: See website for details www.kraususa.com

1.800.775.0703 / customerservice@kraususa.com



REV. August 18, 2016