

**Kräus®**

INSTALLATION MANUAL

**Crespo™ Single Lever Pull Down  
Kitchen Faucet**

KPF-2720

## Thank you for your purchase

We would like to take this opportunity to thank you for choosing Kraus. We hope that you are completely satisfied with your purchase, and enjoy it for years to come. If you have any questions, or require technical assistance, please contact us at 800.775.0703 and one of our representatives will be happy to help.

For more information about Kraus products, please visit:

**[www.kraususa.com](http://www.kraususa.com)**

In order to activate your warranty and get faster access to customer support, please register your new Kraus product at:

**[www.kraususa.com/registration](http://www.kraususa.com/registration)**

*Sincerely,*

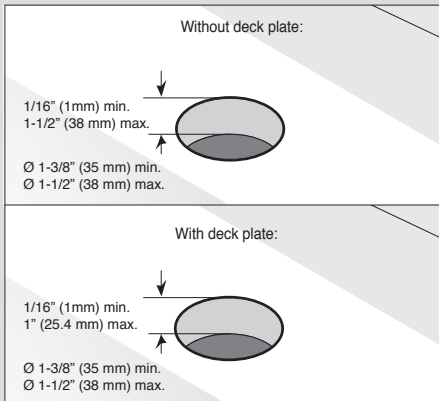
*Kraus USA Customer Service*

**For technical assistance or replacement parts, please contact Kraus Customer Service and one of our representatives will be happy to help:**

Toll-Free: 800-775-0703 or [Customerservice@kraususa.com](mailto:Customerservice@kraususa.com)

## Prior to Installation:

- Make sure you have all necessary parts by checking the diagram and parts list. If any part is missing or damaged, please contact Kraus Customer Service at 800-775-0703 for a replacement
- Turn off the hot and cold water supply at the angle stops and turn on the old faucet to release any built up pressure. Remove existing faucet. Clean sink or countertop to remove any debris, plumber's putty, or silicone
- Place bucket under angle stops. Turn on to flush any debris prior to installing new plumbing. Shut off angle stops
- Pre-drilled hole size requirement: 1-3/8" (min) – 1-1/2" (max)
- Max countertop thickness without deck plate: 1-1/2"
- Max countertop thickness with deck plate: 1"
- 1, 2, or 3 hole installation



## Tools you will need:



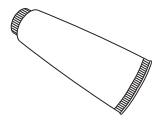
Adjustable Wrench



Safety Goggles

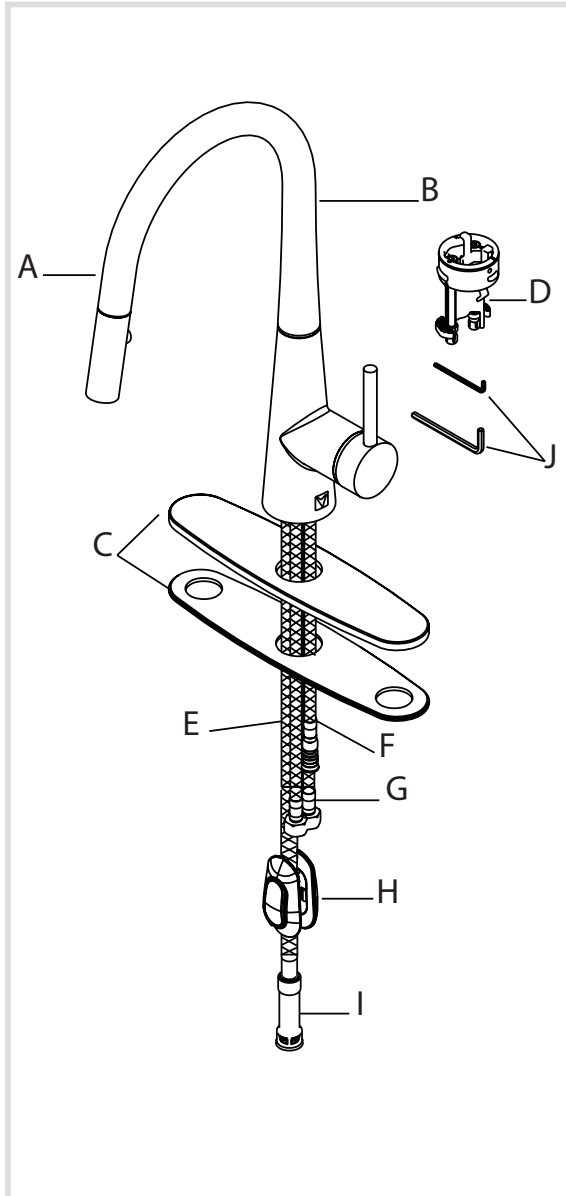


Bucket



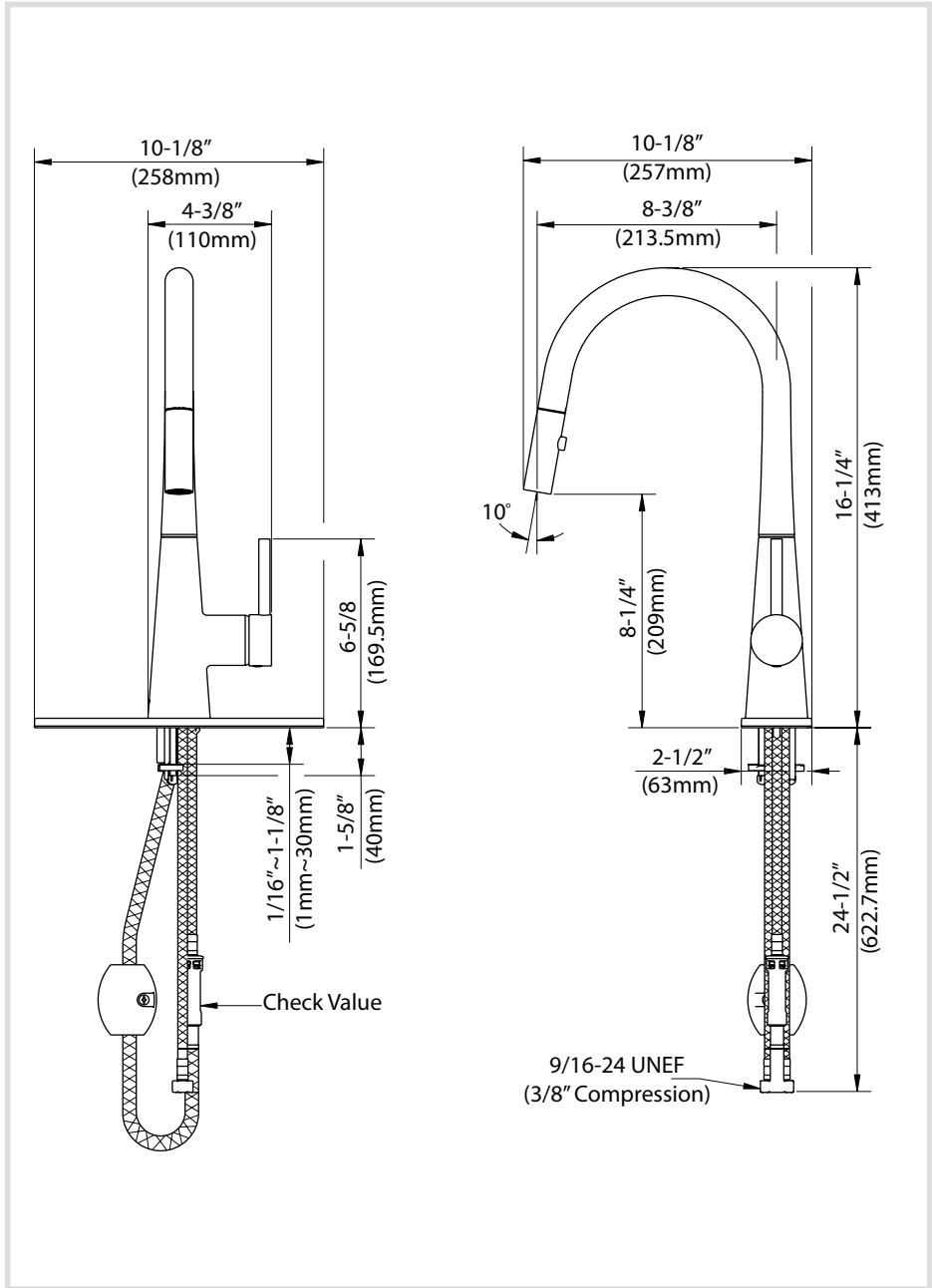
Silicone Sealant

## Diagram and Parts List



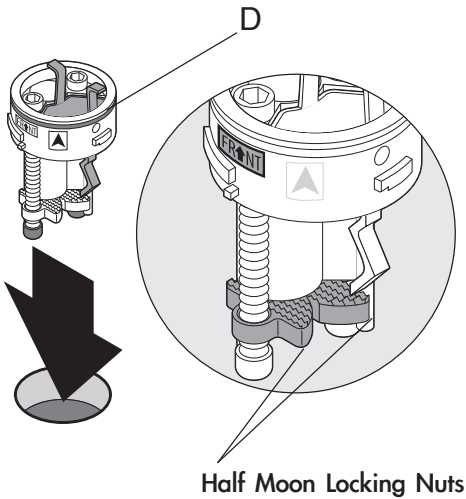
- A. Spray Head
- B. Faucet Body
- C. Deck & Putty Plate
- D. Base
- E. Spray Hose
- F. Supply Hose
- G. Hot & Cold Waterlines
- H. Weight
- I. Quick Connect
- J. Hex Wrench Set
  - J1. 2.5mm
  - J2. 4mm

# Faucet Dimensions



## Step 1A: Install base without deck & putty plate

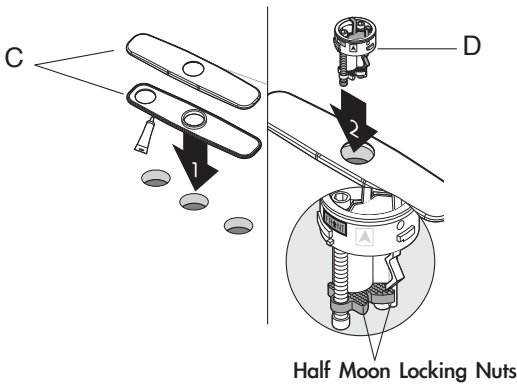
---



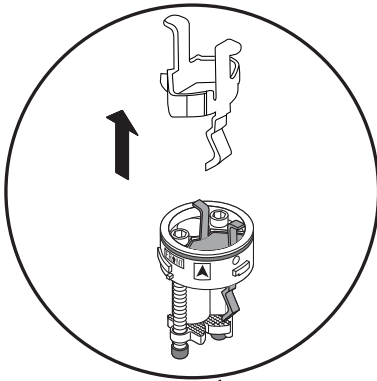
Insert base (D) into sink or countertop with "FR↑NT" facing forward. Tighten screws on base (D) with 4mm hex wrench (J) until base is secure on sink or countertop

**Installer Tip:** Rotate the two half-moon shaped locking nuts inward before inserting base (D) into sink or countertop

## Step 1B: Install base with deck & putty plate



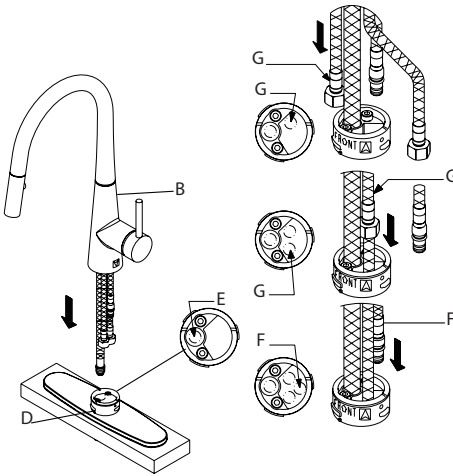
Place a bead of clear silicone sealant (not included) around the edge of the putty plate (C). Secure deck & putty plate (C) on sink or countertop. Insert base (D) into hole of deck & putty plate (C) with "FR↑NT" facing forward. Tighten screws on base (D) with 4mm hex wrench (J) until base is secure on deck & putty plate (C)



**Installer Tip:** Rotate the two half-moon shaped locking nuts inward before inserting base (D) into deck plate (C)

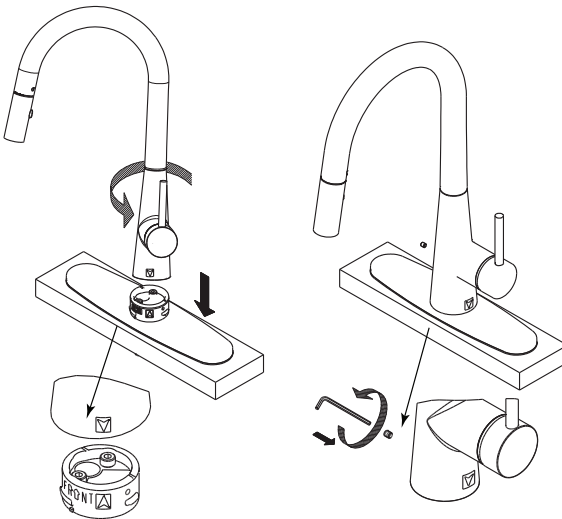
**Please Note:** After base (D) is secure, remove clip

## Step 2: Install faucet



Remove Quick Connect (I) from spray hose (E). Insert spray hose (E) into small hole of base (D). Insert hot & cold waterlines (G) and supply hose (F), one by one, in large hole of base

## Step 3: Secure faucet



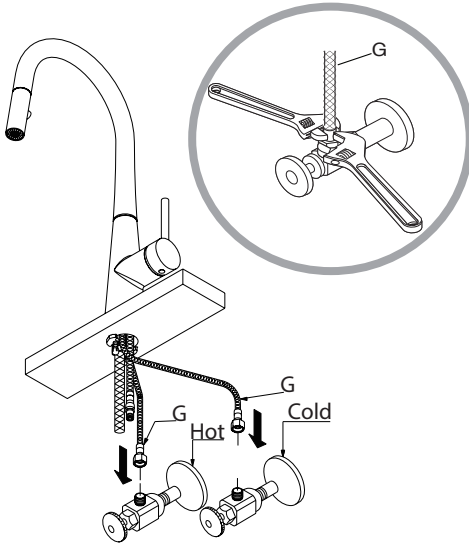
Align arrow on faucet body (B) with arrow on base (D). Attach faucet body (B) to base (D) and turn counter-clockwise. Secure faucet body (B) by tightening the set screw with 2.5mm hex wrench (J)

**Installer Tip:** Please loosen set screw from faucet body (B) prior to securing to base (D)

**Note:** "▲" on base should be in alignment with "▼" on faucet body. Rotate faucet counterclockwise to secure on base.



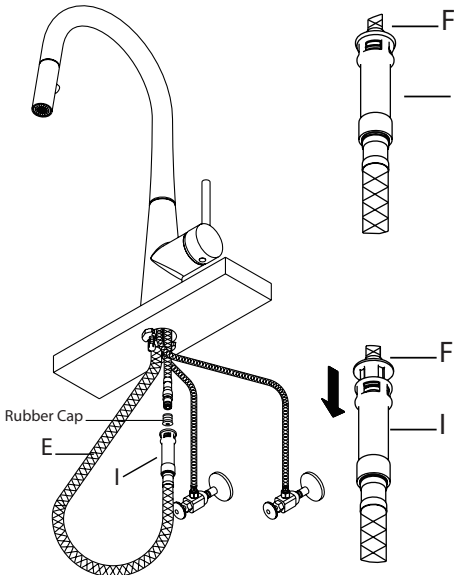
## Step 4: Connect waterlines to main valve



Thread hot & cold waterlines (G) onto angle stops. Tighten with adjustable wrench until snug. Turn on the angle stops and check for leaks (DO NOT TURN FAUCET ON)

**Installer Tip:** Use two wrenches when securing waterlines to angle stops to prevent kinking, as shown in picture

## Step 5: Connect quick connect



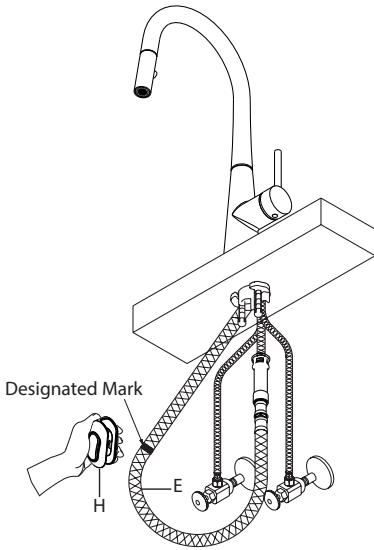
Attach Quick Connect (I) to spray hose (E). Attach the other end onto the supply hose (F) until you hear a click

**Installer Tip:** Please remove rubber cap from supply hose (F) prior to installing quick connect (I)

**Installer Tip:** Tug on the spray hose (E) moderately to ensure connection is secure

## Step 6: Install weight

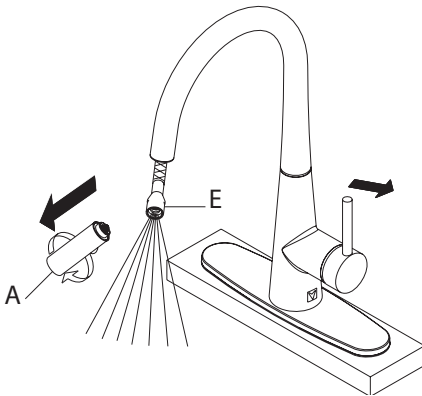
---



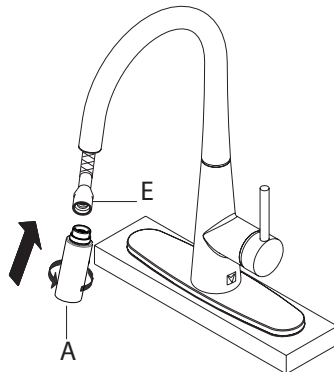
Attach weight (H) on the designated mark on the spray hose (E)

## Step 7: Flush faucet

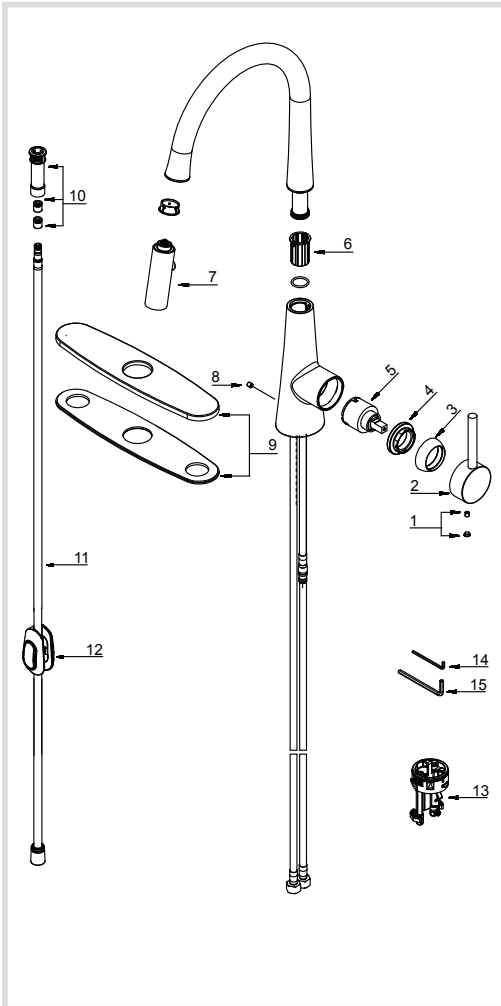
---



Remove spray head (A). Hold tip of spray hose (E). Turn faucet on for 1 minute to flush any debris. Reconnect spray head (A)



# Replacement Part List



1. A Index Button  
B Set Screw
2. Metal Handle
3. Cartridge Cover
4. Locking Nut
5. Cartridge
6. Plastic Cover
7. Spray Head
8. Set Screw
9. Cover & Putty Plate
10. Quick Connect Assembly
11. Spray Hose
12. Weight
13. Base
14. Hex Wrench 2.5mm
15. Hex Wrench 4mm

## Trouble - Shooting

If you have followed the instructions carefully and your faucet still does not work properly, take the following corrective steps:

PROBLEM	CAUSE	ACTION
Leaking from spray hose	Quick Connect (10) may be installed incorrectly	Remove Quick Connect (10) from spray hose (11) and reinstall. Make sure you hear a click when you install it on the spray hose (11)
Water will not shut off completely	Cartridge (5) may need to be adjusted or replaced	Remove index button (1A). Loosen set screw (1B) with 2.5mm hex wrench (14). Remove metal handle (2). Remove cartridge cover (3) by hand only. Remove locking nut (4) with an adjustable wrench. Remove ceramic disc cartridge (5). Check for cracks
Hose does not retract	Weight (12) may be installed incorrectly	Readjust weight (12) on the hose (11). Make sure it is installed on the designated mark on the hose (11)
Low flow	Quick Connect (10) may be clogged with debris	Remove Quick Connect (10) from hoses. Soak in 50/50 solution of warm water and vinegar for 5 minutes, then reinstall

# Care & Maintenance

\*To keep the product clean & shining, follow the steps below:

1. Rinse with clean water & dry with a soft cloth
2. Do not clean with soaps, acid, polish, abrasives, or harsh cleaners
3. Do not use cloth with a coarse surface
4. Unscrew the aerator and clean when necessary

\*This installation manual is subject to change without further notice.



**Download the Kraus Care & Maintenance Guide at:**

<http://www.kraususa.com/maintenance>

## Codes/Standards Applicable:



NSF/ANSI Standard 61 certified by IAPMO  
NSF/ANSI Standard 372 certified by IAPMO



Meets ASME A112.18.1M/A112.18.1  
1.75GPM 6.6L/min maximum

## HELP LINE

---

Our customer service hours are Monday – Friday, 9am – 8pm EST.  
Be sure to visit our website at [www.kraususa.com](http://www.kraususa.com)

### **If you are a homeowner please contact a Kraus Customer Service Representative at:**

Kraus USA, Inc.  
12 Harbor Park Drive  
Port Washington, NY 11050  
Toll-free 800-775-0703  
[Customerservice@kraususa.com](mailto:Customerservice@kraususa.com)

### **If you are a plumbing contractor or trade professional please contact a Kraus Pro Representative at:**

Kraus USA, Inc.  
12 Harbor Park Drive  
Port Washington, NY 11050  
516-801-8955  
[Proservice@kraususa.com](mailto:Proservice@kraususa.com)

### **If you are an Authorized Partner please contact a Partner Support Representative at:**

Kraus USA, Inc.  
12 Harbor Park Drive  
Port Washington, NY 11050  
516-801-8954  
[Partnersupport@kraususa.com](mailto:Partnersupport@kraususa.com)

### **In requesting warranty service, please be ready to provide:**

1. Proof of purchase.
2. A description of the problem.

Kräus®

[www.kraususa.com](http://www.kraususa.com)

**REGISTER YOUR PRODUCT TODAY**

**Receive** Proof of Ownership  
**Access** Customer Care & Installation Help  
**Get** Exclusive Kraus Offers & Promotions



Scan to Register Online  
or visit <http://www.kraususa.com/registration>

**We're always looking for ways to improve.**

Please take a moment to share your experience.  
Visit <http://www.kraususa.com/review> to let us know what you think  
about your new Kraus product.

Contact Us to Learn More  
1.800.775.0703 / [www.kraususa.com](http://www.kraususa.com) / [customerservice@kraususa.com](mailto:customerservice@kraususa.com)  
Like & Follow KrausUSA

Download the Kraus Care & Maintenance Guide at:  
<http://www.kraususa.com/maintenance>



**Kräus<sup>®</sup>**

[www.kraususa.com](http://www.kraususa.com)



**Kräus<sup>®</sup>**

INSTALLATION MANUAL

# Handmade Stainless Steel Undermount Sink

KHU100-30 / KHU100-32 / KHU101-23 / KHU102-33 /  
KHU103-33 / KHU104-33 / KHU105-32 / KHU121-23 /  
KHU122-23 / KHU123-32

## Thank you for your purchase

We would like to take this opportunity to thank you for choosing Kraus. We hope that you are completely satisfied with your purchase, and enjoy it for years to come. If you have any questions, or require technical assistance, please contact us at 800.775.0703 and one of our representatives will be happy to help.

For more information about Kraus products, please visit:

**[www.kraususa.com](http://www.kraususa.com)**

In order to activate your warranty and get faster access to customer support, please register your new Kraus product at:

**[www.kraususa.com/registration](http://www.kraususa.com/registration)**

*Sincerely,*

*Kraus USA Customer Service*

## **Prior to Installation:**

- Make sure that you have all necessary parts by checking the parts list. If any part is missing or damaged, please contact Kraus Customer Service at 800-775-0703 for a replacement
- Inspect the sink prior to installation to make sure that it has not been damaged or during shipping
- Use the cut-out template provided by Kraus
- Observe all plumbing and building codes according to your state requirements
- Not recommended to be installed with laminate countertop

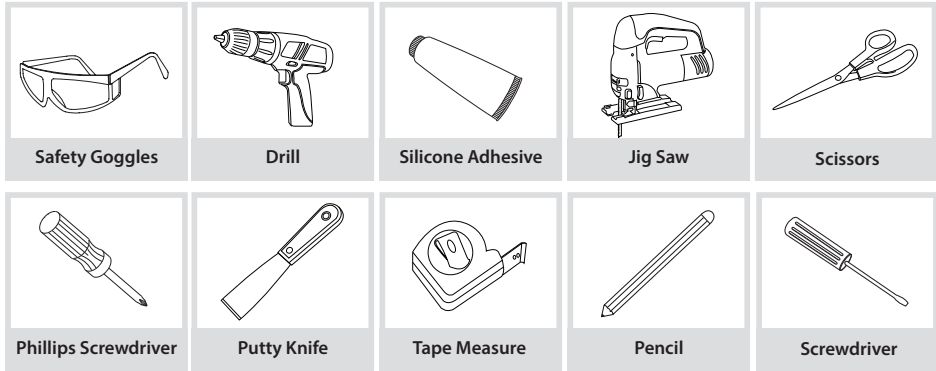
**For technical assistance or replacement parts, please contact Kraus Customer Service and one of our representatives will be happy to help:**

Toll-Free: 800-775-0703 or [Customerservice@kraususa.com](mailto:Customerservice@kraususa.com)

The step-by-step guidelines in the installation instructions are a general reference for installing a Kraus Sink. Should there be any discrepancies, Kraus cannot be held liable. It is recommended to install all Kraus products by hiring a licensed professional.

## Tools you will need:

---



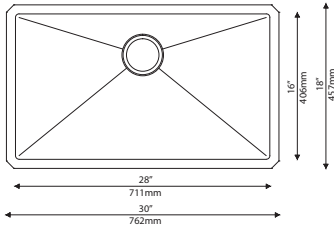
**NOTE:** Specialized tools may be necessary to install Kraus Stainless Steel Undermount sinks with countertop materials other than wood, marble, or granite

## Parts List

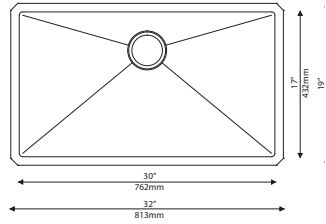
---

- Cut-Out Template
- Mounting Hardware
- Bottom Grids
- Drain

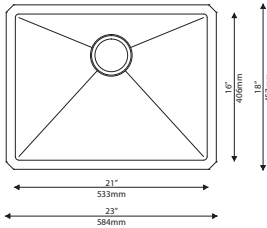
# Dimensions



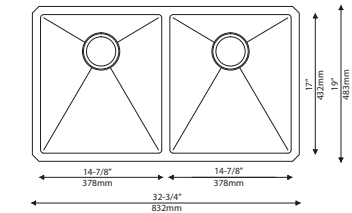
**KHU100-30**  
 30" x 18" x 10"  
 Min Cabinet Size: 33"  
 Matching Grid: KBG-100-30  
 Drain Model #: BST-1



**KHU100-32**  
 32" x 17" x 10"  
 Min Cabinet Size: 36"  
 Matching Grid: KBG-100-32  
 Drain Model #: BST-1

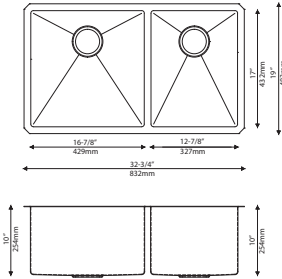


**KHU101-23**  
 23" x 18" x 10"  
 Min Cabinet Size: 27"  
 Matching Grid: KBG-101-23  
 Drain Model #: BST-1

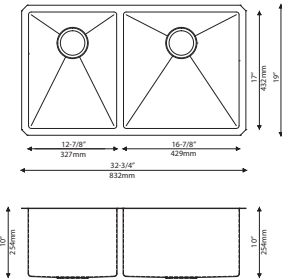


**KHU102-33**  
 32 3/4" x 19" x 10"  
 Min Cabinet Size: 36"  
 Matching Grid: KBG-102-33-1  
 and KBG-102-33-2  
 Drain Model #: BST-1 & ST-1

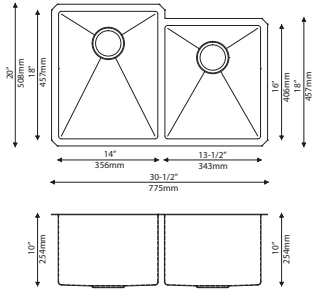
# Dimensions



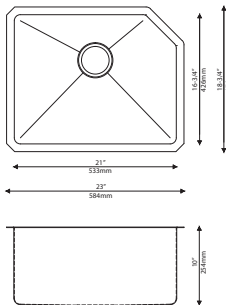
**KHU103-33**  
 32 3/4" x 19" x 10"  
 Min Cabinet Size: 36"  
 Matching Grid: KBG-103-33-1  
 and KBG-103-33-2  
 Drain Model #: BST-1 & ST-1



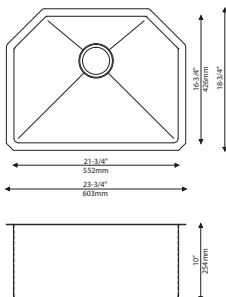
**KHU104-33**  
 32 3/4" x 19" x 10"  
 Min Cabinet Size: 36"  
 Matching Grid: KBG-104-33-1  
 and KBG-104-33-2  
 Drain Model #: BST-1 & ST-1



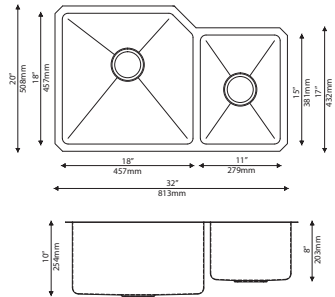
**KHU105-32**  
 30 1/2" x 18" x 10"  
 Min Cabinet Size: 36"  
 Matching Grid: KBG-105-32-1  
 and KBG-105-32-2  
 Drain Model #: BST-1 & ST-1



**KHU121-23**  
 23" x 18 3/4" x 10"  
 Min Cabinet Size: 27"  
 Matching Grid: KBG-121-23  
 Drain Model #: BST-1



**KHU122-23**  
 23 3/4" x 18 3/4" x 10"  
 Min Cabinet Size: 27"  
 Matching Grid: KBG-122-23  
 Drain Model #: BST-1

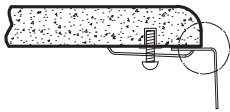


**KHU123-32**  
 32" x 17" x 10"  
 Min Cabinet Size: 36"  
 Matching Grid: KBG-123-32-1  
 and KBG-123-32-2  
 Drain Model #: BST-1 & ST-1

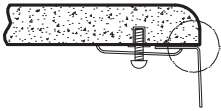
# 1. Determine Reveal Type

---

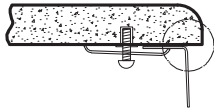
Use scissors to cut along the line of the paper template for your desired reveal type (Negative, Positive, or Flushed Reveal)



3/8" Positive Reveal

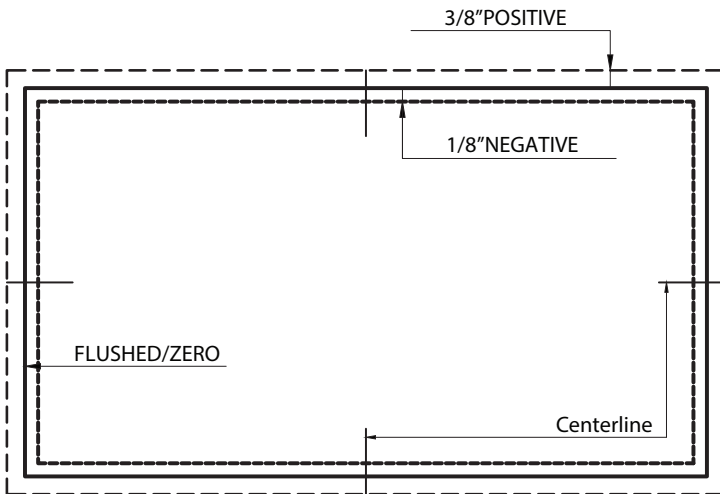


Flushed/Zero Reveal



1/8" Negative Reveal

KRAUS Recommended Installation Type

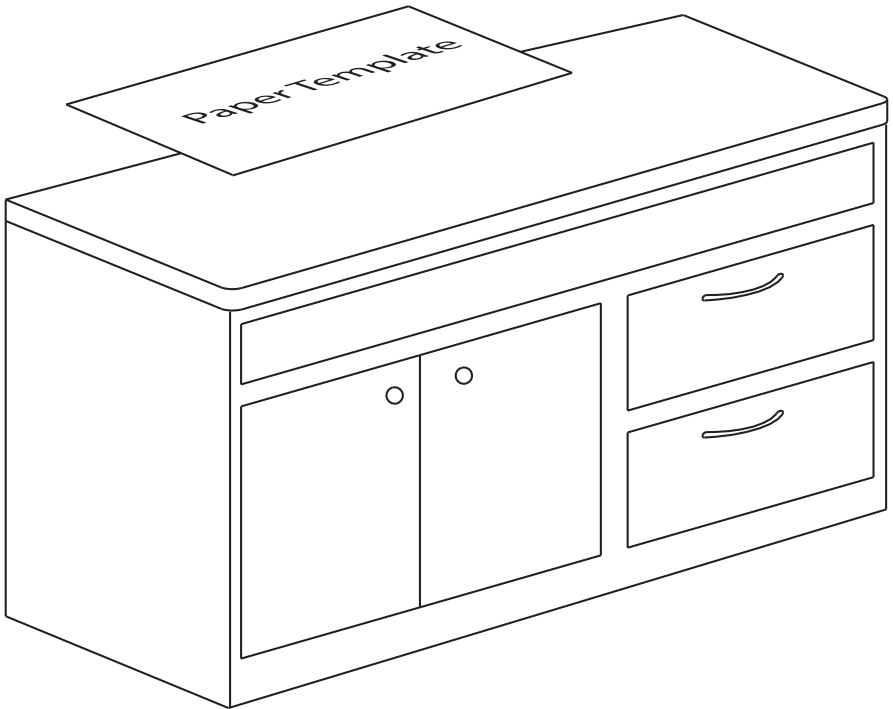


## 2. Position Template

---

- Check the cut-out template against the actual sink to ensure a proper sized cut-out
- Place the cut-out template in the desired location on the countertop

**NOTE:** Make sure clearance is suitable for backsplash, faucet, and plumbing for the sink

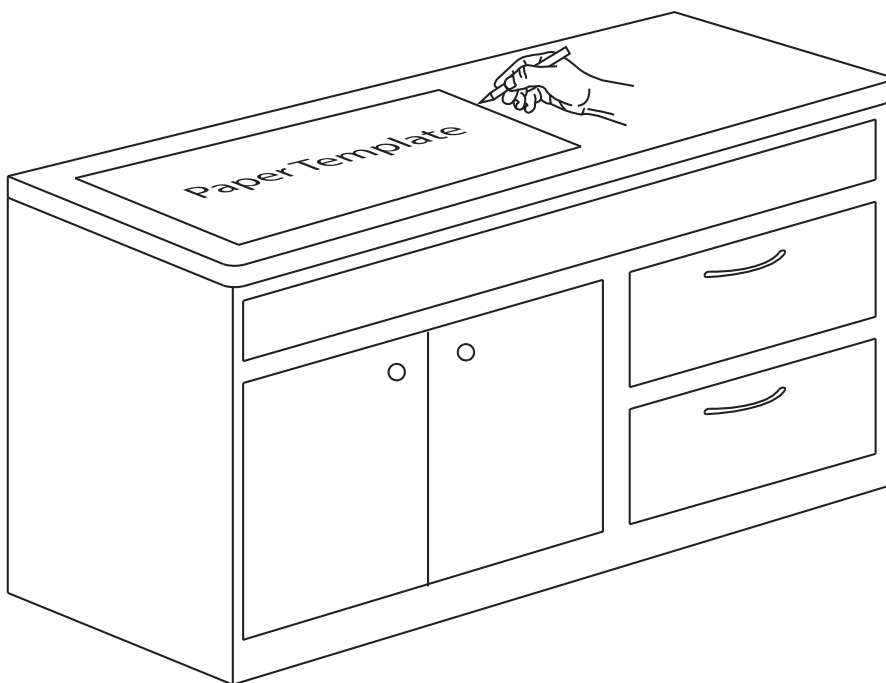




### 3. Trace Template

---

- Trace template on countertop with a pencil

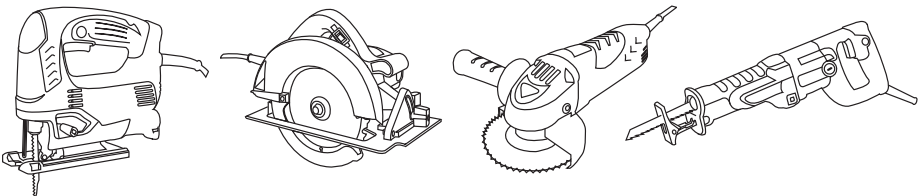
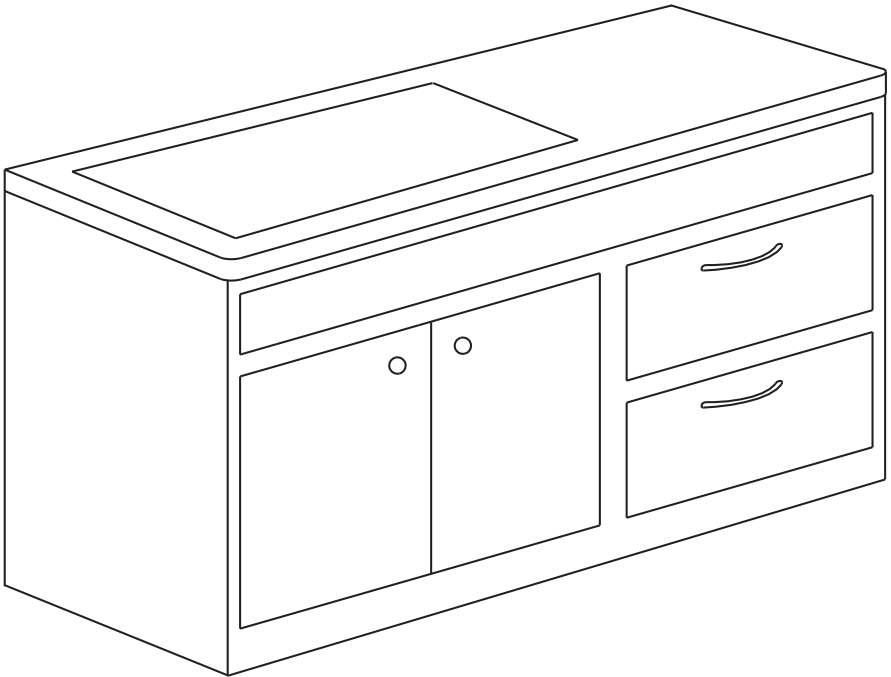


## 4. Cut Countertop

---

- Cut the opening in the countertop by carefully following the traced line

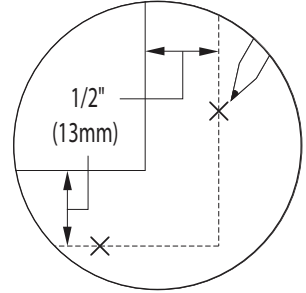
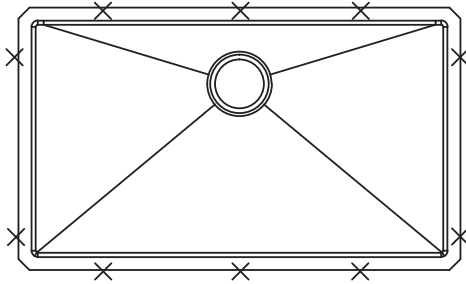
**NOTE:** Please use the appropriate saw that best fits your countertop material



## 5. Set up Mounting Brackets

---

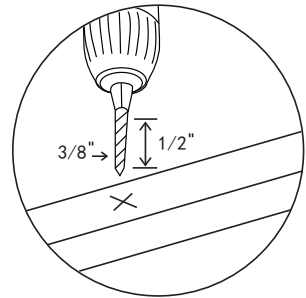
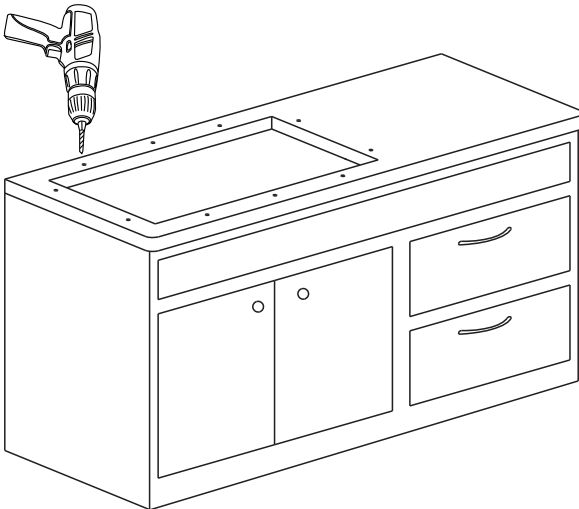
- Turn countertop over and align sink with countertop. Decide location for mounting brackets
- Mounting holes should be  $\frac{1}{2}$ " from edge of sink



## 6. Drill Hole in Countertop

---

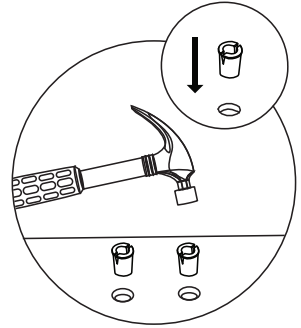
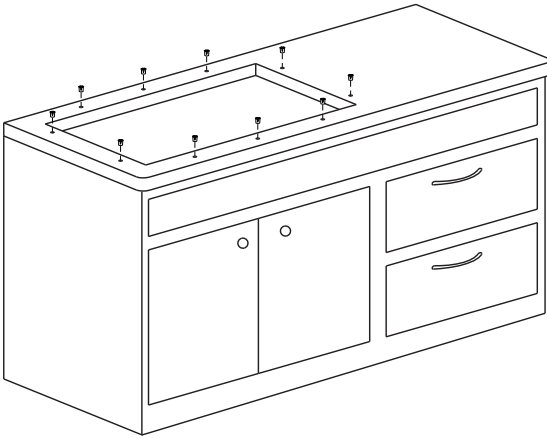
- Drill  $\frac{3}{8}$ " diameter x  $\frac{1}{2}$ " deep hole in the countertop



## 7. Install Anchors

---

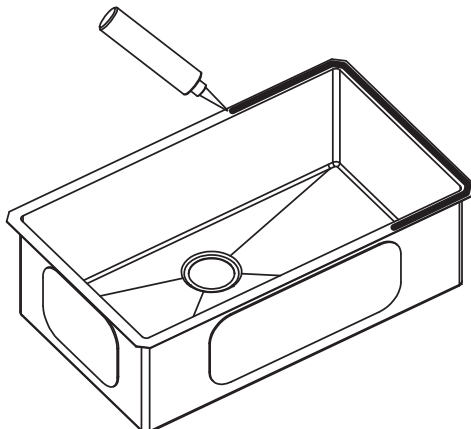
- Insert anchors into drilled holes and lightly tap with a hammer until flush



## 8. Secure Sink to Countertop

---

- Use a bead of silicone (or preferred adhesive) around the rim of the sink. Check the alignment of the sink to the cutout in the countertop. Place sink over cutout hole and press firmly

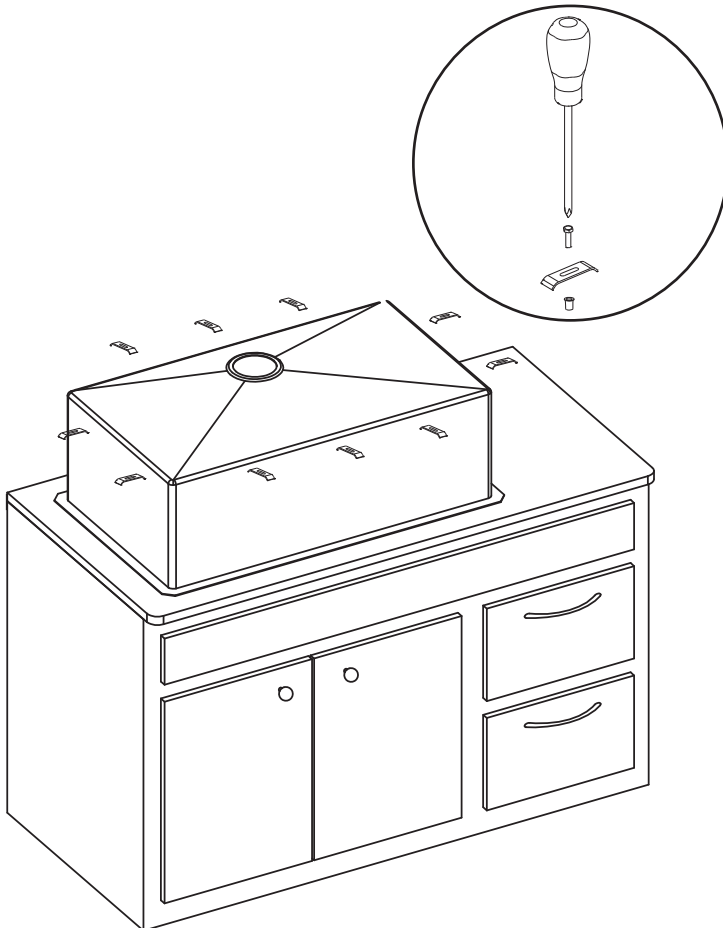


## 9. Attach Mounting Hardware

---

- Attach mounting hardware to secure bowl. Remove excess sealant from inside lip
- Allow sealant to set for 30 – 60 minutes

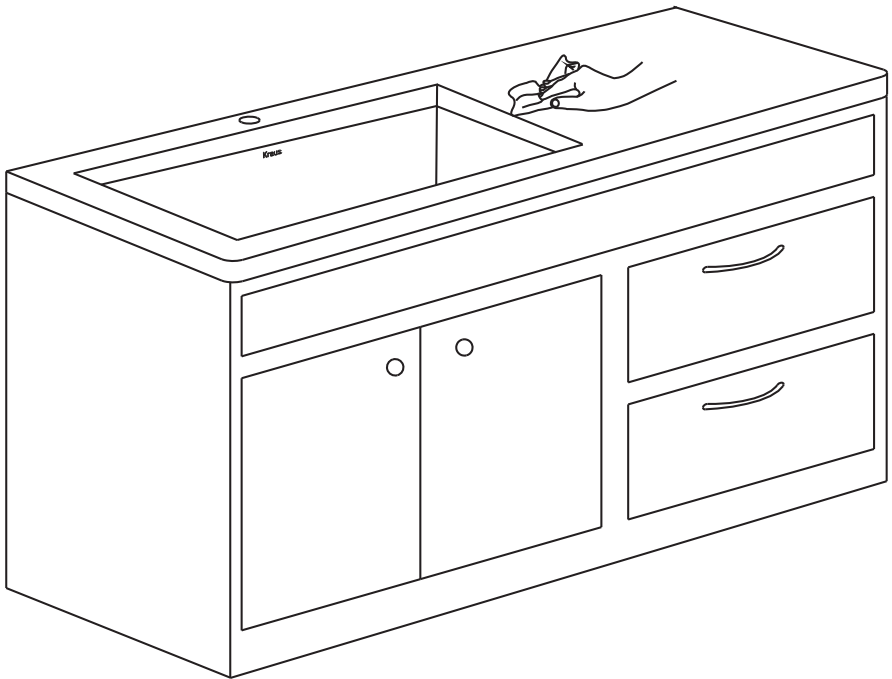
**NOTE:** Use acetone or rubbing alcohol to remove any excess sealant



## 10. Install Plumbing Fixtures

---

- Connect drain to sink. Connect trap to drain. Connect water supply connections to faucet according to manufacturer's instructions
- Run water into sink and check for leaks



## Codes/Standards Applicable:



## HELP LINE

---

Our customer service hours are Monday – Friday, 9am – 8pm EST.  
Be sure to visit our website at [www.kraususa.com](http://www.kraususa.com)

### **If you are a HOMEOWNER please contact a Kraus Customer Service Representative at:**

Kraus USA, Inc.  
12 Harbor Park Drive  
Port Washington, NY 11050  
Toll-free 800-775-0703  
[Customerservice@kraususa.com](mailto:Customerservice@kraususa.com)

### **If you are a PLUMBING CONTRACTOR OR TRADE PROFESSIONAL please contact a Kraus Pro Representative at:**

Kraus USA, Inc.  
12 Harbor Park Drive  
Port Washington, NY 11050  
516-801-8955  
[Proservice@kraususa.com](mailto:Proservice@kraususa.com)

### **If you are an AUTHORIZED PARTNER please contact a Partner Support Representative at:**

Kraus USA, Inc.  
12 Harbor Park Drive  
Port Washington, NY 11050  
516-801-8954  
[Partnersupport@kraususa.com](mailto:Partnersupport@kraususa.com)

### **In requesting warranty service, please be ready to provide:**

1. Proof of purchase.
2. A description of the problem.

**REGISTER YOUR PRODUCT TODAY**

**Receive** Proof of Ownership

**Access** Customer Care & Installation Help

**Get** Exclusive Kraus Offers & Promotions



Scan to Register Online  
or visit <http://www.kraususa.com/registration>

**We're always looking for ways to improve.**

Please take a moment to share your experience.  
Visit <http://www.kraususa.com/review> to let us know what you think  
about your new Kraus product.

Contact Us to Learn More  
1.800.775.0703 / [www.kraususa.com](http://www.kraususa.com) / [customerservice@kraususa.com](mailto:customerservice@kraususa.com)  
Like & Follow KrausUSA

Download the Kraus Care & Maintenance Guide at:  
<http://www.kraususa.com/maintenance>



**Kräus**<sup>®</sup>

[www.kraususa.com](http://www.kraususa.com)



**Kräus<sup>®</sup>**

INSTALLATION MANUAL

## Soap Dispensers

KSD-30

KSD-33

KSD-35

KSD-41

KSD-42

SD-20

SD-25

## Thank you for your purchase

We would like to take this opportunity to thank you for choosing Kraus. We hope that you are completely satisfied with your purchase, and enjoy it for years to come. If you have any questions, or require technical assistance, please contact us at 800.775.0703 and one of our representatives will be happy to help.

For more information about Kraus products, please visit:

**[www.kraususa.com](http://www.kraususa.com)**

In order to activate your warranty and get faster access to customer support, please register your new Kraus product at:

**[www.kraususa.com/registration](http://www.kraususa.com/registration)**

*Sincerely,*

*Kraus USA Customer Service*

## **PRIOR TO INSTALLATION**

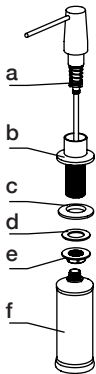
- Make sure you have all necessary parts by checking the diagram and parts list. If any part is missing or damaged, please contact Kraus Customer Service at 800-775-0703 for a replacement
- Pre-drilled hole size requirement: 1-1/4"
- Max countertop thickness without deck plate: 1-3/8"

**For technical assistance or replacement parts, please contact Kraus Customer Service and one of our representatives will be happy to help:**

Toll-Free: 800.775.0703 or [Customerservice@kraususa.com](mailto:Customerservice@kraususa.com)

The step-by-step guidelines in the installation instructions are a general reference for installing a Kraus Sink. Should there be any discrepancies, Kraus cannot be held liable. It is recommended to install all Kraus products by hiring a licensed professional.

## GDA-1 Diagram and Parts List:



- a. Pump*
- b. Dispenser Base*
- c. Rubber Washer A*
- d. Rubber Washer B*
- e. Mounting Nut*
- f. Dispenser Bottle*

### TOOLS REQUIRED:

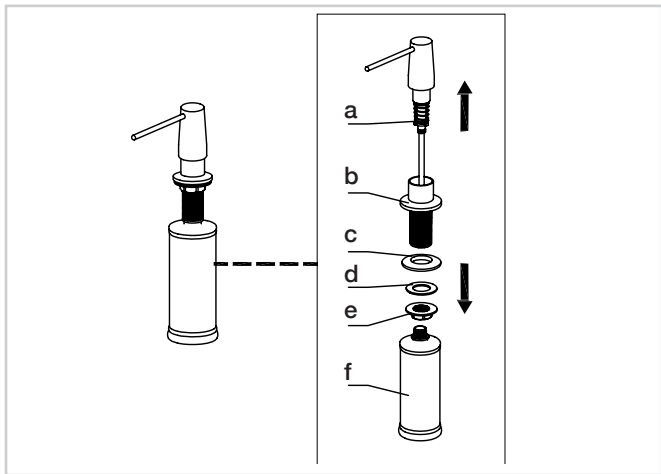


\*Adjustable Wrench

## Step 1

---

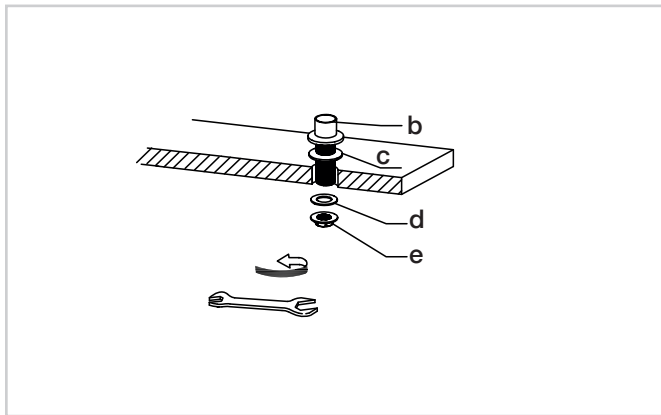
Disassemble soap dispenser



## Step 2

---

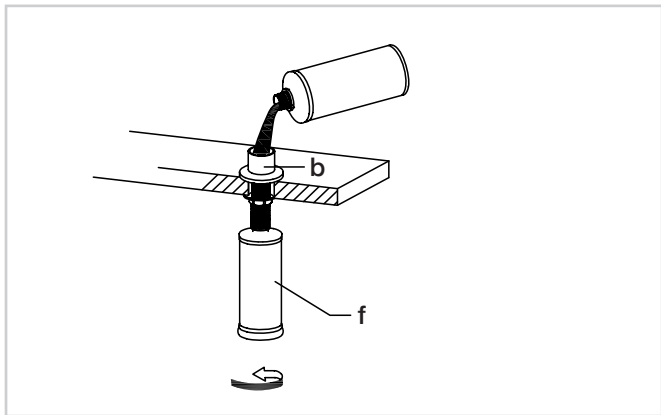
Install dispenser base (b) with rubber washer A (c) attached into the hole in the countertop. Re-install rubber washer B (d) and mounting nut (e) on the dispenser base (b) from underneath the countertop. Tighten mounting nut (e) with adjustable wrench until snug



### Step 3

---

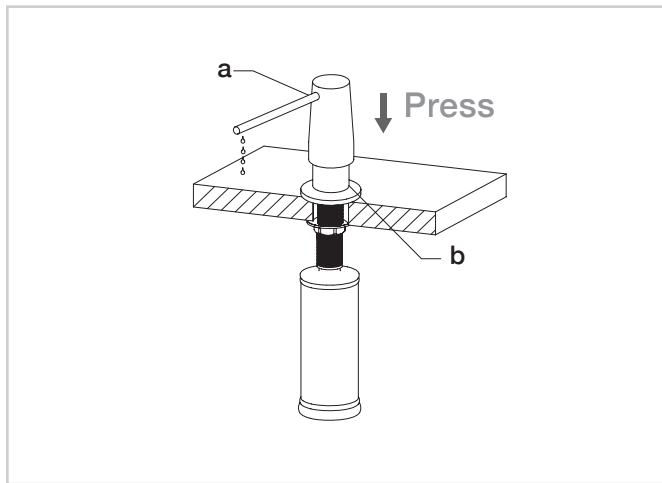
Screw the dispenser bottle (f) to the dispenser base (b) from underneath the countertop. Tighten as required. Fill the dispenser bottle (f) from the top with 12 ounces of soap



## Step 4

---

Insert pump (a) into dispenser base (b) from the top. Press the pump several times to make sure soap is evenly distributed





## HELP LINE

Our customer service hours are Monday – Friday, 9am – 8pm EST.

Be sure to visit our website at [www.kraususa.com](http://www.kraususa.com)

---

**If you are a HOMEOWNER please contact a Kraus Customer Service Representative at:**

Kraus USA, Inc.  
12 Harbor Park Drive  
Port Washington, NY 11050  
Toll-free 800-775-0703  
[Customerservice@kraususa.com](mailto:Customerservice@kraususa.com)

**If you are a PLUMBING CONTRACTOR OR TRADE PROFESSIONAL please contact a Kraus Pro Representative at:**

Kraus USA, Inc.  
12 Harbor Park Drive  
Port Washington, NY 11050  
516-801-8955  
[Proservice@kraususa.com](mailto:Proservice@kraususa.com)

**If you are an AUTHORIZED PARTNER please contact a Partner Support Representative at:**

Kraus USA, Inc.  
12 Harbor Park Drive  
Port Washington, NY 11050  
516-801-8954  
[Partnersupport@kraususa.com](mailto:Partnersupport@kraususa.com)

---

**In requesting warranty service, please be ready to provide:**

1. Proof of purchase.
2. A description of the problem.



Kräus®

[www.kraususa.com](http://www.kraususa.com)

REGISTER YOUR PRODUCT TODAY

**Receive** Proof of Ownership

**Access** Customer Care & Installation Help

**Get** Exclusive Kraus Offers & Promotions



Scan to Register Online or visit  
<http://www.kraususa.com/registration>

**We're always looking for ways to improve.**

Please take a moment to share your experience.

Visit <http://www.kraususa.com/review> to let us know what you think about your new Kraus product.

Contact Us to Learn More

1.800.775.0703 / [www.kraususa.com](http://www.kraususa.com) / [customerservice@kraususa.com](mailto:customerservice@kraususa.com)

Like & Follow KrausUSA

Download the Kraus Care & Maintenance Guide at:

<http://www.kraususa.com/maintenance>



**Kräus<sup>®</sup>**

[www.kraususa.com](http://www.kraususa.com)