

# Crespo™ / KPF-2720

## Single Lever Pull Down Kitchen Faucet

Chrome / Stainless Steel Finishes



### Material

Body: Brass  
 Handle: Zinc  
 Sprayer: Plastic  
 Waterway: Braided Nylon

### Spout

Swivel: 360  
 Design: Full Body  
 Pull Down

### Sprayhead

Flow Rate: 1.75 gpm (6.6L/min) @ 60 psi  
 Aerator: Neoperl/1.75GPM  
 Name: Cache Perlator Honeycomb  
 Function: Spray & Stream  
 Nozzles: Easy Clean Rubber Nozzles  
 Docking: Secure

### Hose

Type: Neoperl

### Cartridge

Brand: Kerox  
 Size: 35mm  
 Style: Lever

### Mounting

Holes: 1 - 3 Holes  
 Type: Quick Dock

### Waterlines

Type : Neoperl, 700mm  
 Flexible  
 Connections: 3/8"  
 Materials: Braided Nylon  
 Included  
 Factory Installed

### Dimensions

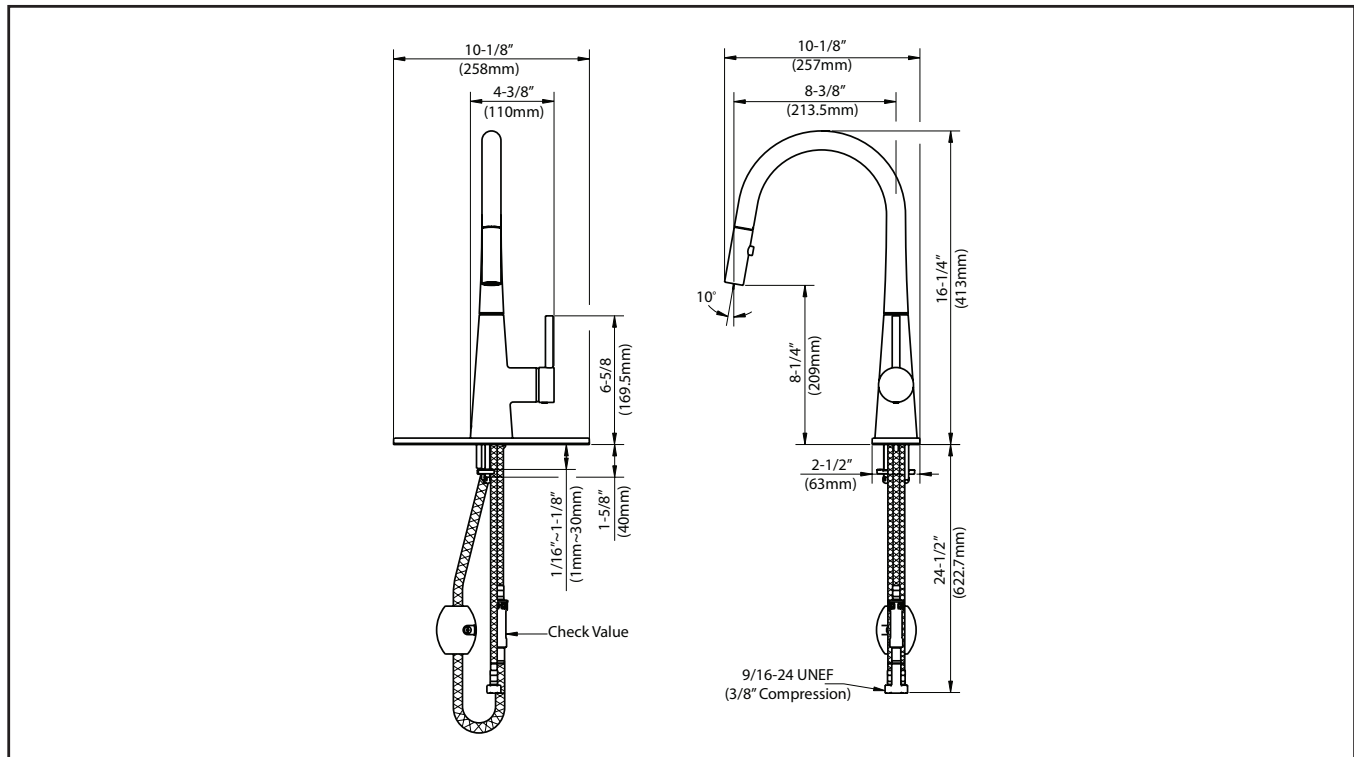
Faucet Dimensions: 16 1/4" x 8 3/8" x 2 1/2"  
 Handle Clearance: 1 1/4"

### Accessories Included

Escutcheon Plate, Weight, Hex Wrench

Kraus Limited Lifetime Warranty: See website for details [www.kraususa.com](http://www.kraususa.com)

1.800.775.0703 / [customerservice@kraususa.com](mailto:customerservice@kraususa.com)



# KHU100-30

30 Inch Undermount Single Bowl 16 Gauge  
Stainless Steel Kitchen Sink  
Satin Finish



**Material**

16 Gauge Stainless Steel

**Minimum Cabinet Size**

Undermount : 33"

**Installation Type**

Undermount

**Dimensions**

Sink Dimensions: 30" x 18" x 10"

**Bowl Type**

Single Bowl Sink  
Handmade

**Accessories Included**

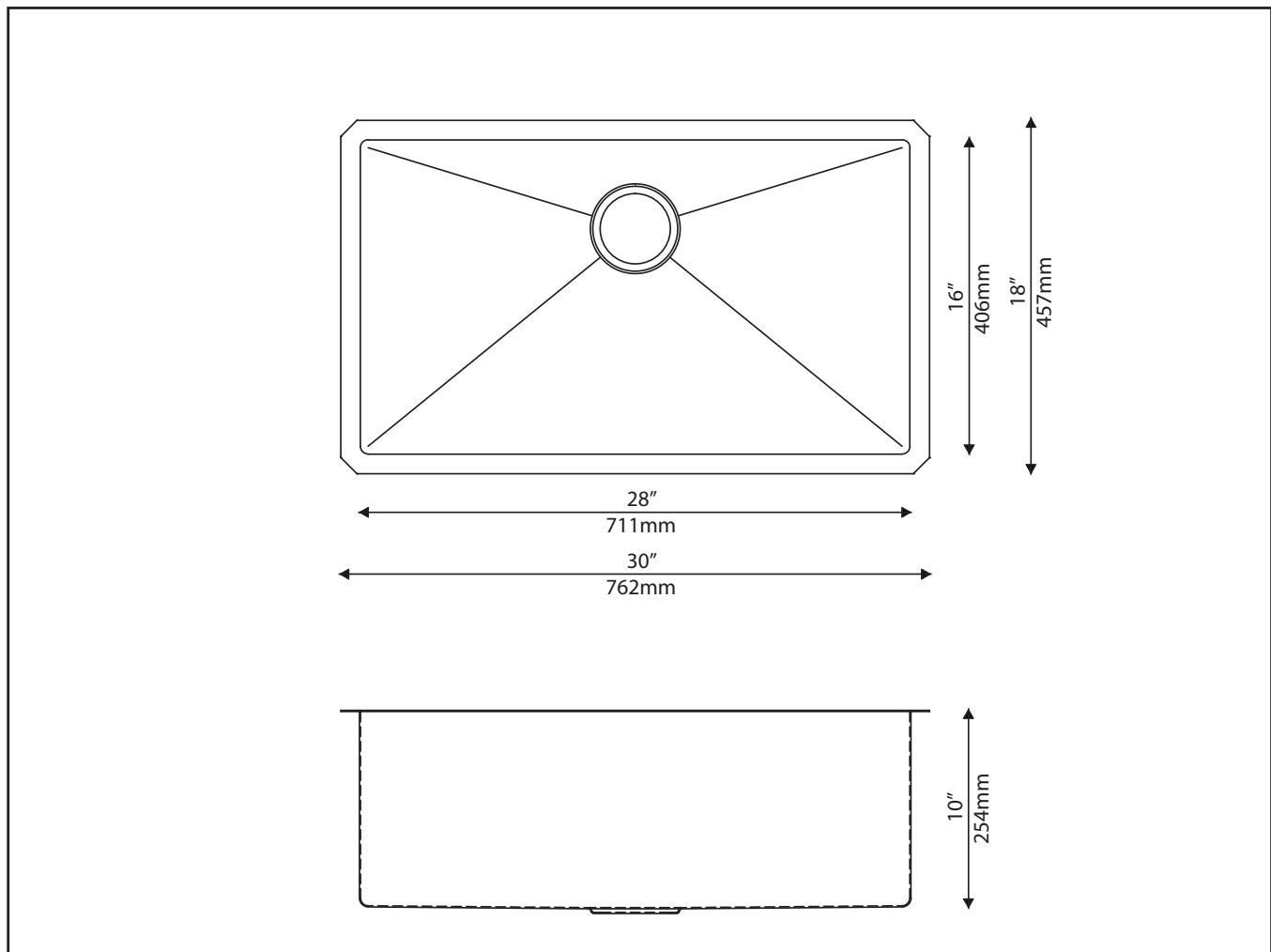
KBG-100-30, BST-1, Mounting Hardware, Tem-  
plate, Towel

**Technology**

Noise Defend

Kraus Limited Lifetime Warranty: See website for details [www.kraususa.com](http://www.kraususa.com)

1.800.775.0703 / [customerservice@kraususa.com](mailto:customerservice@kraususa.com)



Codes/Standards: Meets ASME A112.19.3/CSA B45.4

REV. August 15, 2016

# KSD-42

## Soap Dispenser

# Kräus®

### SPECIFICATION SHEET

#### Finish

- Chrome
- Stainless Steel

#### Material

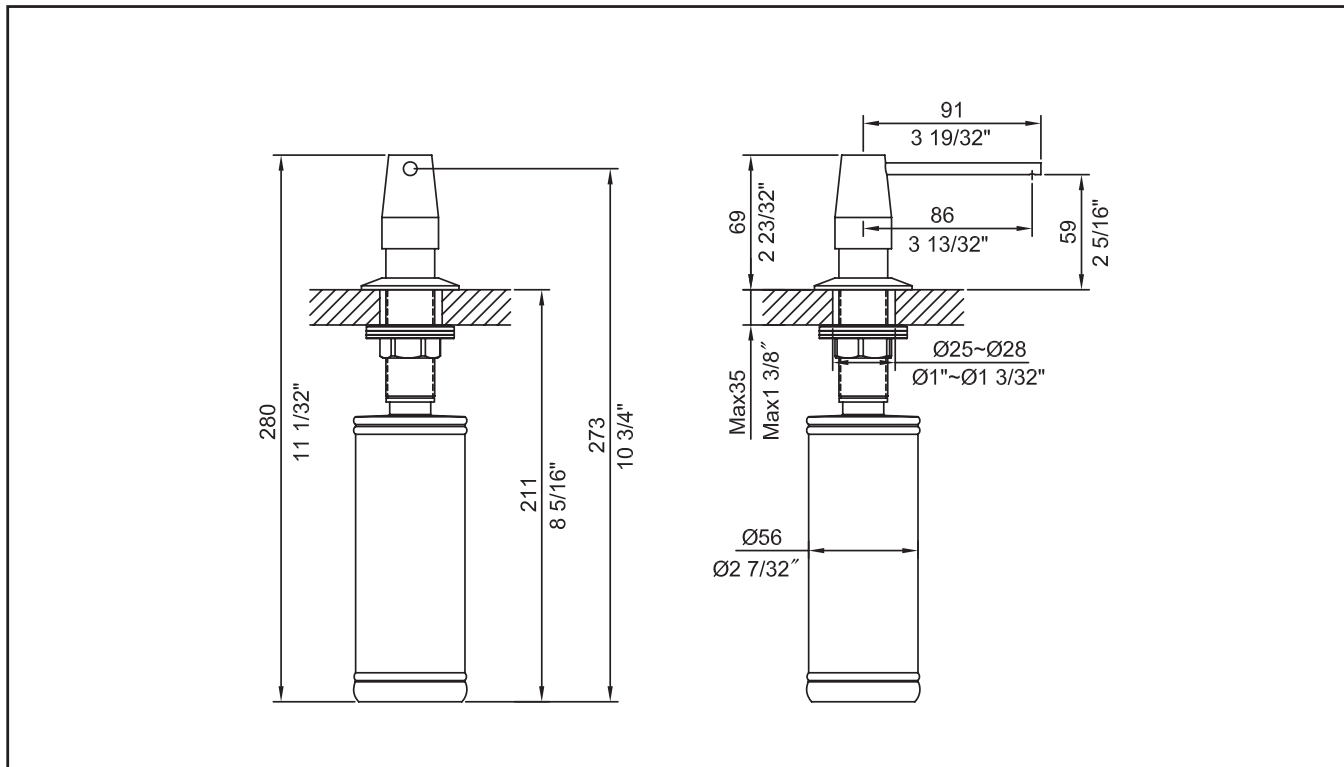
Brass

#### Features

- Solid Brass Construction
- Self-Priming Pump
- Refillable from Above
- Holds up to 12 oz. of Liquid
- Pump: 2-23/32"
- Spout: 3-19/32"

Kraus Limited Lifetime Warranty: See website for details [www.kraususa.com](http://www.kraususa.com)

1.800.775.0703 / [customerservice@kraususa.com](mailto:customerservice@kraususa.com)



REV. August 18, 2016

# KBG-100-30

## Stainless Steel Bottom Grid

Kräus®

SPECIFICATION SHEET

### Finish

Stainless Steel

### Material

Stainless Steel

### Features

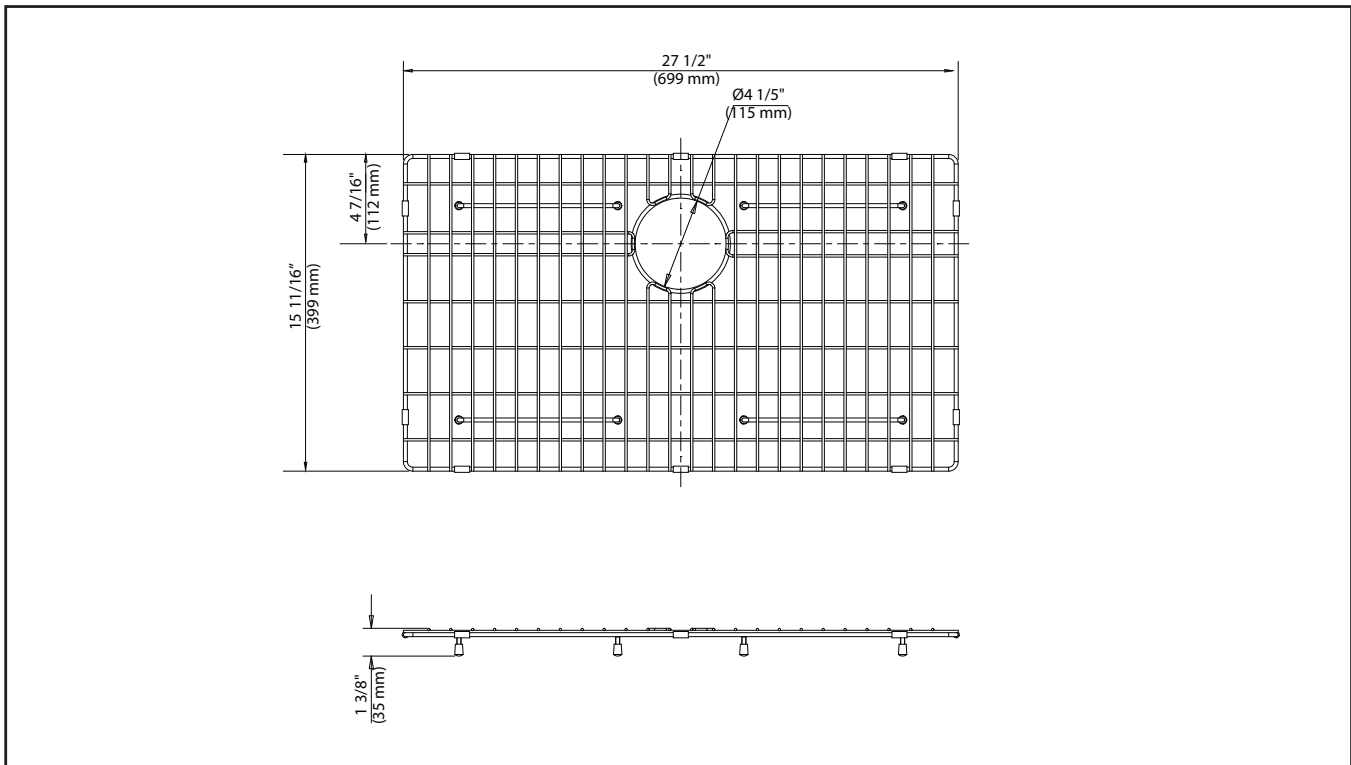
- Fits in bowl of KHU100-30 kitchen sink
- Commercial grade stainless steel construction
- Protects bottom of sink from daily wear and tear
- Rubber feet provide additional protection
- Dishwasher Safe

### Dimensions

27 1/2" x 15 11/16" x 1 3/8"

Kraus Limited Lifetime Warranty: See website for details [www.kraususa.com](http://www.kraususa.com)

1.800.775.0703 / [customerservice@kraususa.com](mailto:customerservice@kraususa.com)



REV. August 16, 2016

# BST-1

## Stainless Steel Basket Strainer

Kräus<sup>®</sup>

SPECIFICATION SHEET

### Finish

Stainless Steel

### Material

Stainless Steel

### Features

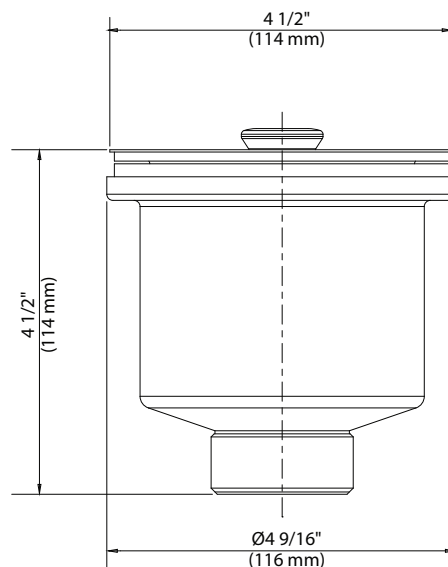
- Premium Stainless Steel Construction
- Standard 3.5" or 4" Drain Opening
- Removable Basket Prevents Debris from Clogging Drain Pipe

### Dimensions

4 1/2" x 4 1/2"

Kraus Limited Lifetime Warranty: See website for details [www.kraususa.com](http://www.kraususa.com)

1.800.775.0703 / [customerservice@kraususa.com](mailto:customerservice@kraususa.com)



REV. August 18, 2016