

Mateo™ / KPF-2620

Single Lever Pull Down Kitchen Faucet

Chrome / Stainless Steel Finishes

Kräus®

SPECIFICATION SHEET

Material

Body: Brass
Handle: Zinc
Sprayer: Plastic
Waterway: Brass

Spout

Swivel: 360
Design: Full Body
Pull Down

Sprayhead

Flow Rate: 1.75 gpm (6.6L/min) @ 60 psi
Aerator: Neoperl/1.75GPM
Name: Cache Perlator Honeycomb
Function: Spray & Stream
Nozzles: Easy Clean Rubber Nozzles
Docking: Secure

Hose

Type: Neoperl

Cartridge

Brand: Kerox
Size: 35mm
Style: Lever

Mounting

Holes: 1 - 3 Holes
Type: Quick Dock

Waterlines

Type : Neoperl, 700mm
Flexible
Connections: 3/8"
Materials: Braided Nylon
Included
Factory Installed

Dimensions

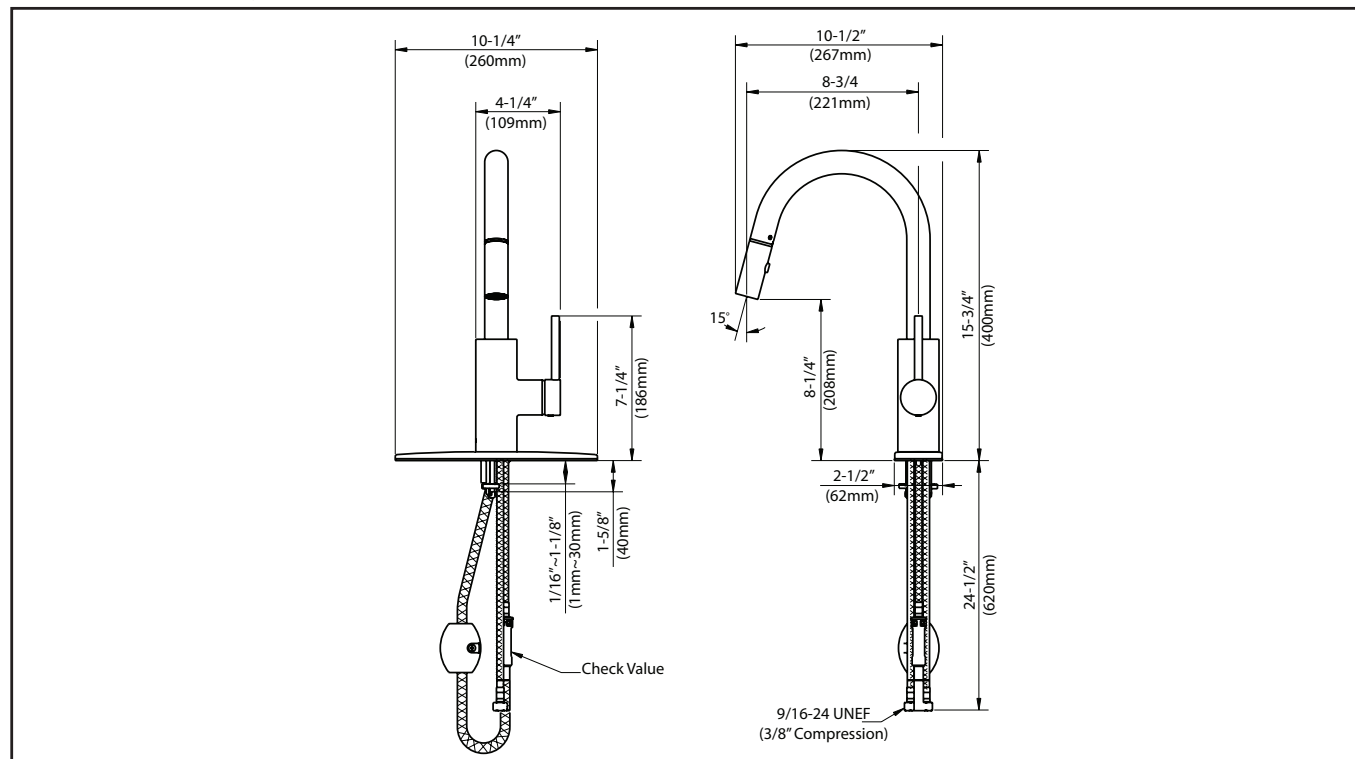
Faucet Dimensions: 15 3/4" x 8 3/4" x 2 1/2"
Handle Clearance: 1 1/4"

Accessories Included

Escutcheon Plate, Weight, Hex Wrench

Kraus Limited Lifetime Warranty: See website for details www.kraususa.com

1.800.775.0703 / customerservice@kraususa.com



Codes/Standards: Meets ASME A112.18.1/CSA B125.1, NSF/ANSI Standard 61 certified by IAPMO, NSF/ANSI Standard 372 certified by IAPMO, CAL GREEN, CEC, ADA

REV. August 16, 2016

KHF200-30

30 Inch Farmhouse Apron Single Bowl 16 Gauge
Stainless Steel Kitchen Sink
Satin Finish



Material

16 Gauge Stainless Steel

Minimum Cabinet Size

Undermount : 33"

Installation Type

Undermount

Dimensions

Sink Dimensions: 29 3/4" x 20 3/4" x 10"

Bowl Type

Single Bowl Sink
Apron Front: Apron Front
Handmade

Accessories Included

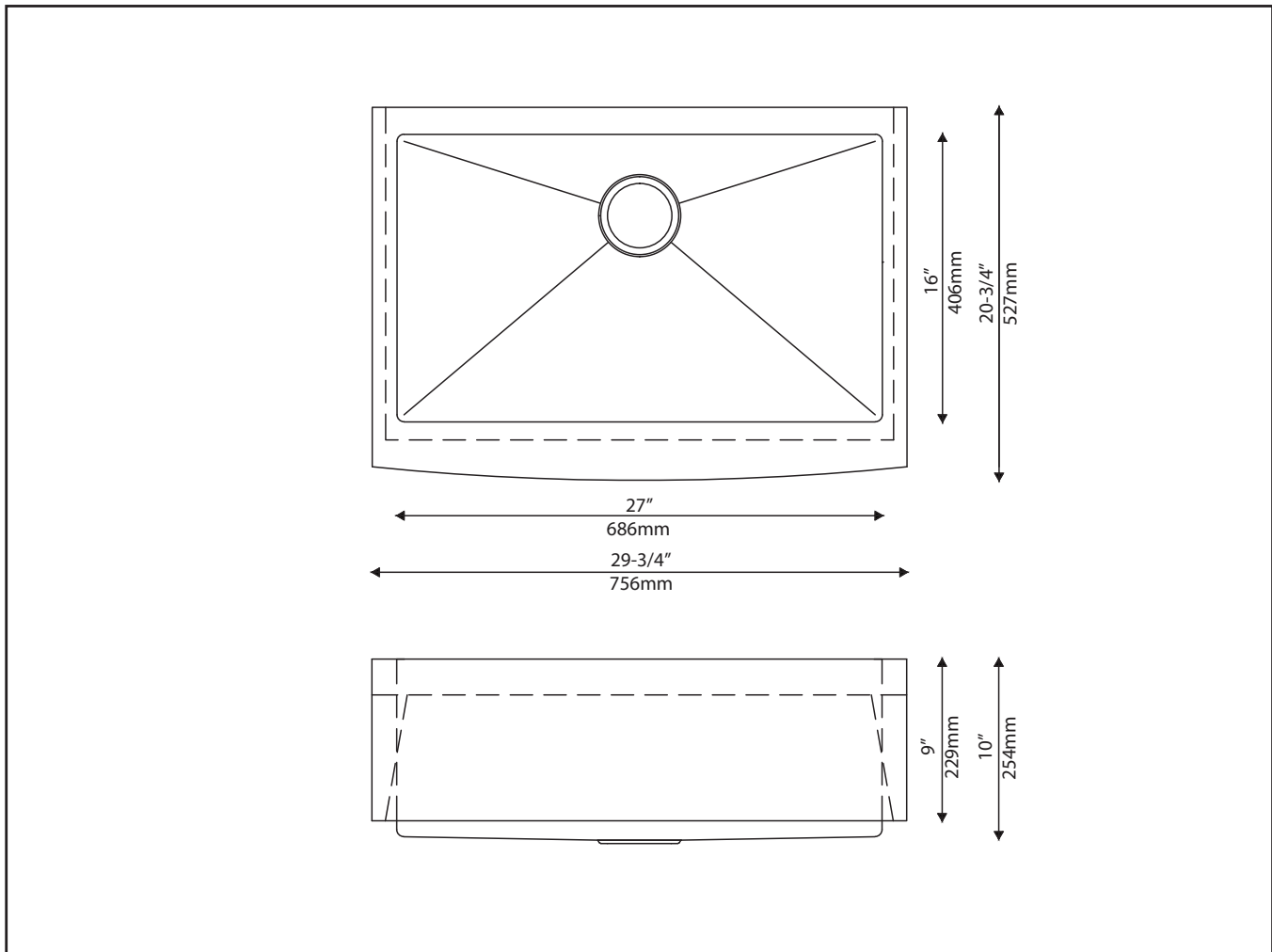
KBG-200-30, BST-1, Template, Towel

Technology

Noise Defend

Kraus Limited Lifetime Warranty: See website for details www.kraususa.com

1.800.775.0703 / customerservice@kraususa.com



KSD-41

Soap Dispenser

Kräus[®]

SPECIFICATION SHEET

Finish

- Chrome
- Stainless Steel

Material

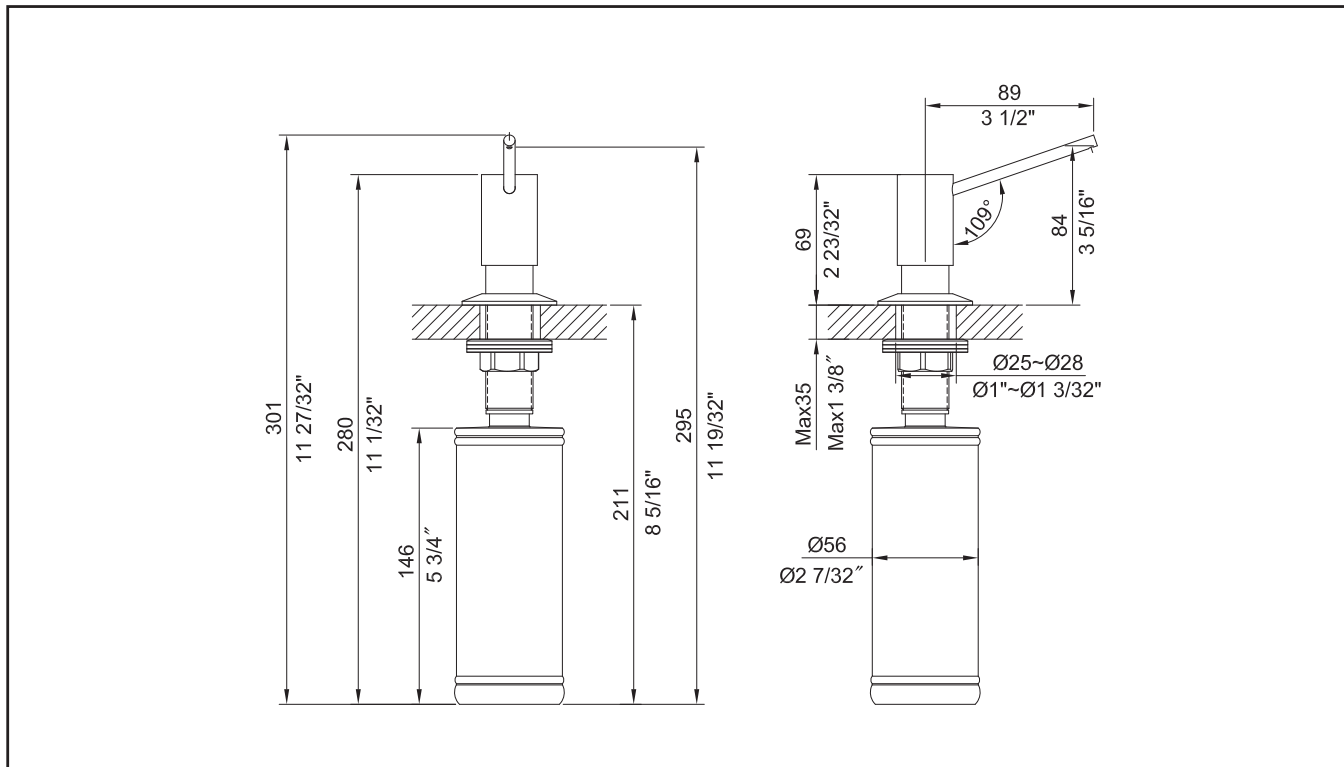
Brass

Features

- Solid Brass Construction
- Self-Priming Pump
- Refillable from Above
- Holds up to 12 oz. of Liquid
- Pump: 2-23/32"
- Spout: 3-1/2"

Kraus Limited Lifetime Warranty: See website for details www.kraususa.com

1.800.775.0703 / customerservice@kraususa.com



REV. August 18, 2016

KBG-200-30

Stainless Steel Bottom Grid

Kräus®

SPECIFICATION SHEET

Finish

Stainless Steel

Material

Stainless Steel

Features

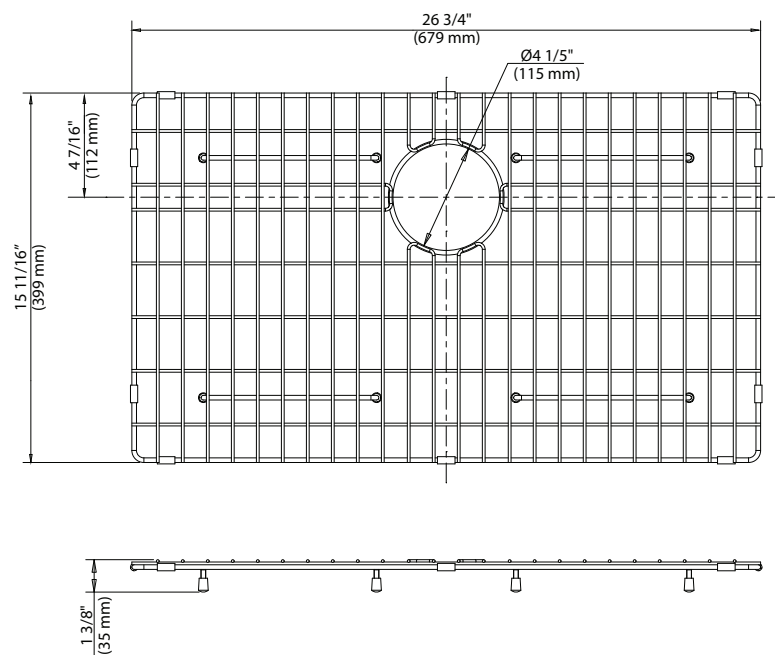
- Fits in bowl of KHF200-30 kitchen sink
- Commercial grade stainless steel construction
- Protects bottom of sink from daily wear and tear
- Rubber feet provide additional protection
- Dishwasher Safe

Dimensions

27 1/2" x 15 11/16" x 1 3/8"

Kraus Limited Lifetime Warranty: See website for details www.kraususa.com

1.800.775.0703 / customerservice@kraususa.com



REV. August 16, 2016

BST-1

Stainless Steel Basket Strainer

Kräus®

SPECIFICATION SHEET

Finish

Stainless Steel

Material

Stainless Steel

Features

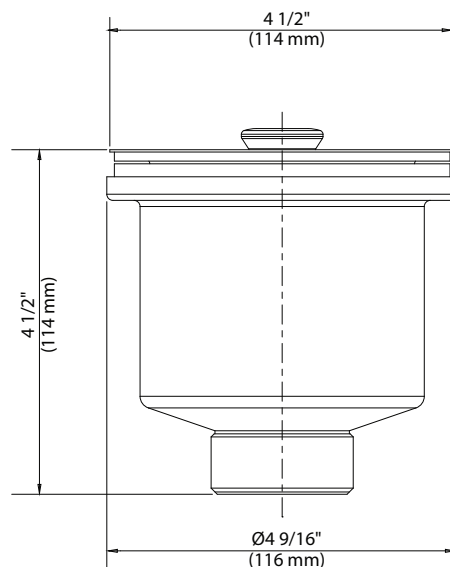
- Premium Stainless Steel Construction
- Standard 3.5" or 4" Drain Opening
- Removable Basket Prevents Debris from Clogging Drain Pipe

Dimensions

4 1/2" x 4 1/2"

Kraus Limited Lifetime Warranty: See website for details www.kraususa.com

1.800.775.0703 / customerservice@kraususa.com



REV. August 18, 2016