

Kräus®

INSTALLATION MANUAL

Farmhouse Stainless Steel Sink

KHF200-30 / KHF200-33 / KHF200-36

KHF203-33 / KHF203-36

KHF204-33

Thank you for your purchase

We would like to take this opportunity to thank you for choosing Kraus. We hope that you are completely satisfied with your purchase, and enjoy it for years to come. If you have any questions, or require technical assistance, please contact us at 800.775.0703 and one of our representatives will be happy to help.

For more information about Kraus products, please visit:

www.kraususa.com

In order to activate your warranty and get faster access to customer support, please register your new Kraus product at:

www.kraususa.com/registration

Sincerely,

Kraus USA Customer Service

Prior to Installation:

- Inspect the sink prior to installation to make sure the sink has not been damaged during shipping
- Use the cut-out template provided by Kraus
- Observe all plumbing and building codes according to your state requirement
- Additional floor and wall preparation may be required to avoid damaging the product
- Make sure to purchase the correct cabinet for your farmhouse sink. Farmhouse base cabinets should be 3" larger than the actual size of the sink
- Not recommended to be installed with laminate countertop

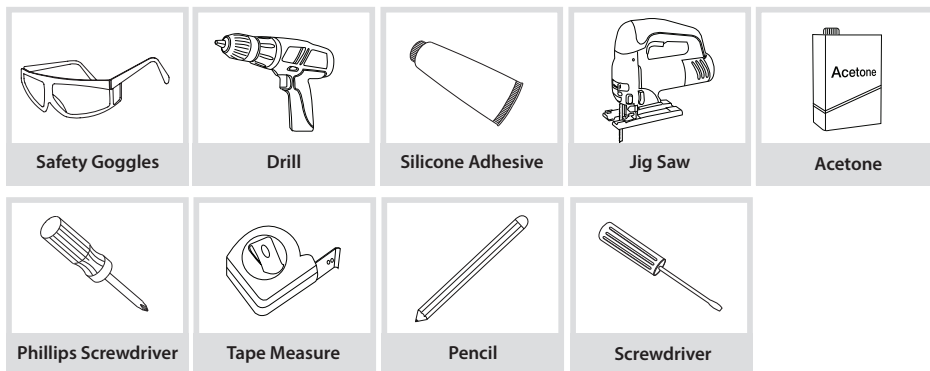
For technical assistance or replacement parts, please contact Kraus

Customer Service and one of our representatives will be happy to help:

Toll-Free: 800-775-0703 or Customerservice@kraususa.com

The step-by-step guidelines in the installation instructions are a general reference for installing a Kraus Sink. Should there be any discrepancies, Kraus cannot be held liable. It is recommended to install all Kraus products by hiring a licensed professional.

Tools you will need:

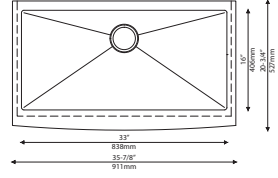
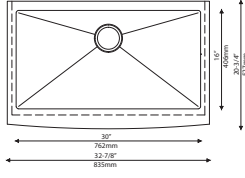
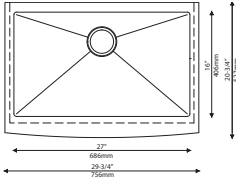


NOTE: Specialized tools may be necessary to install Kraus Stainless Steel Undermount sinks with countertop materials other than wood, marble, or granite

Parts List

- Cut-Out Template
- Bottom Grids
- 1 Drain - BST-1 for Single Bowl
- 2 Drains – BST-1 & ST-1 for Double Bowls

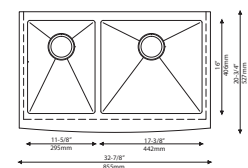
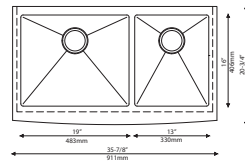
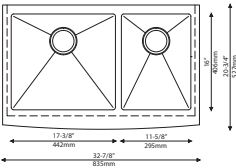
Dimensions



KHF200-30
 29 3/4" x 20 3/4" x 10"
 Min Cabinet Size: 33"
 Matching Grid: KBG-200-30
 Drain Model #: BST-1

KHF200-33
 32 7/8" x 20 3/4" x 10"
 Min Cabinet Size: 36"
 Matching Grid: KBG-200-33
 Drain Model #: BST-1

KHF200-36
 35 7/8" x 20 3/4" x 10"
 Min Cabinet Size: 39"
 Matching Grid: KBG-200-36
 Drain Model #: BST-1



KHF203-33
 32 7/8" x 20 3/4" x 10"
 Min Cabinet Size: 36"
 Matching Grid: KBG-200-33-1
 and KBG-200-33-2
 Drain Model #: BST-1 & ST-1

KHF203-36
 35 7/8" x 20 3/4" x 10"
 Min Cabinet Size: 39"
 Matching Grid: KBG-200-36-1
 and KBG-200-36-2
 Drain Model #: BST-1 & ST-1

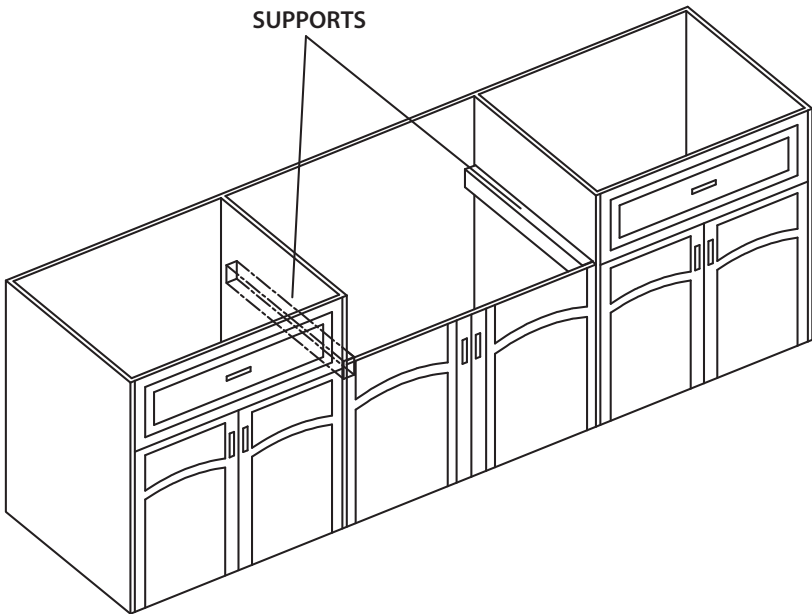
KHF204-33
 32 7/8" x 20 3/4" x 10"
 Min Cabinet Size: 36"
 Matching Grid: KBG-204-33-1
 and KBG-204-33-2
 Drain Model #: BST-1 & ST-1

1. Measure & Build Supports

- Measure the actual height of apron
- Build supports on inside of cabinet based on sink measurements

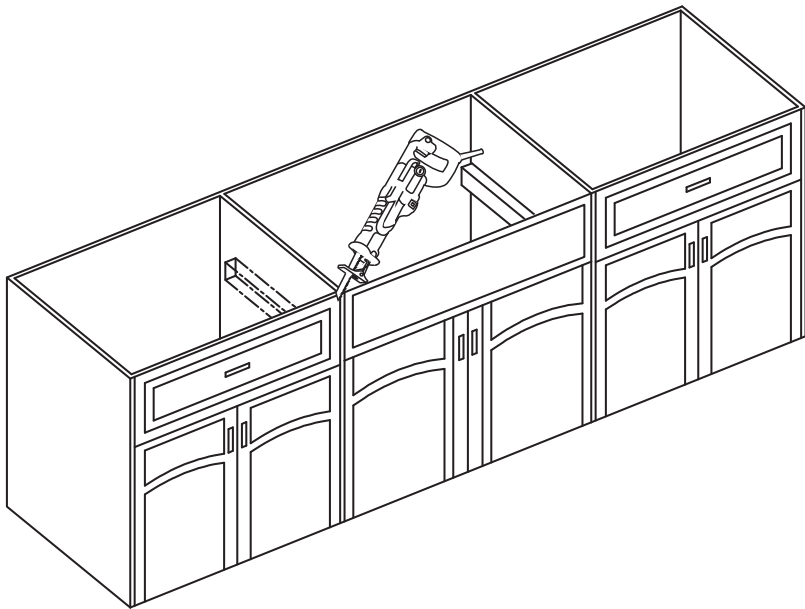
Installer Tip: Support Options

- 1 ¼" Angle Irons
- (2) 2"x 4'
- ¾" Plywood



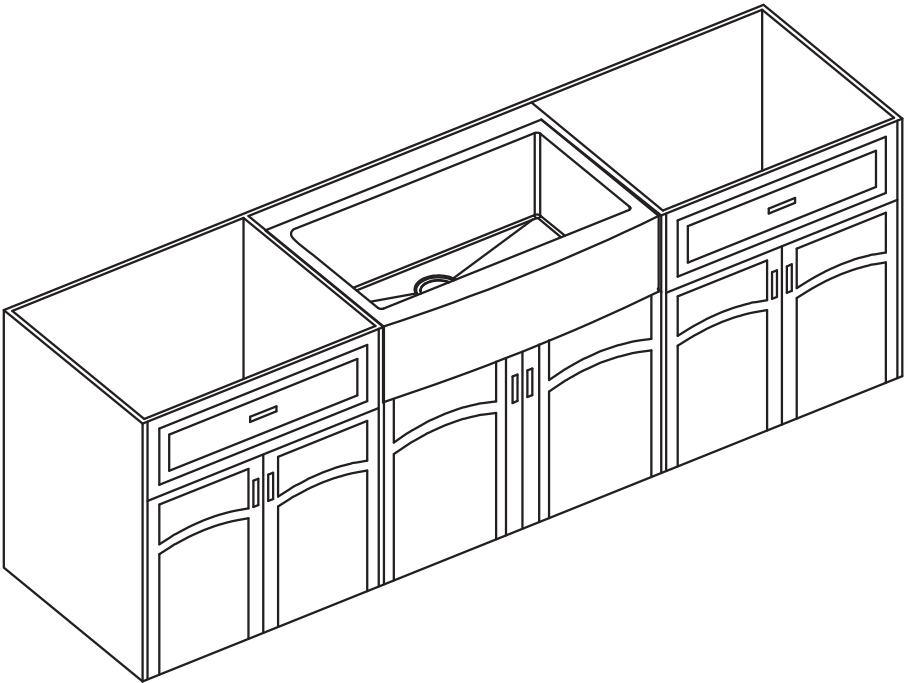
2. Cut Cabinet Front

- Measure height of apron front. Add 1/16" to the dimension when you mark base cabinet front cutout. Use jigsaw to cut



3. Install Sink

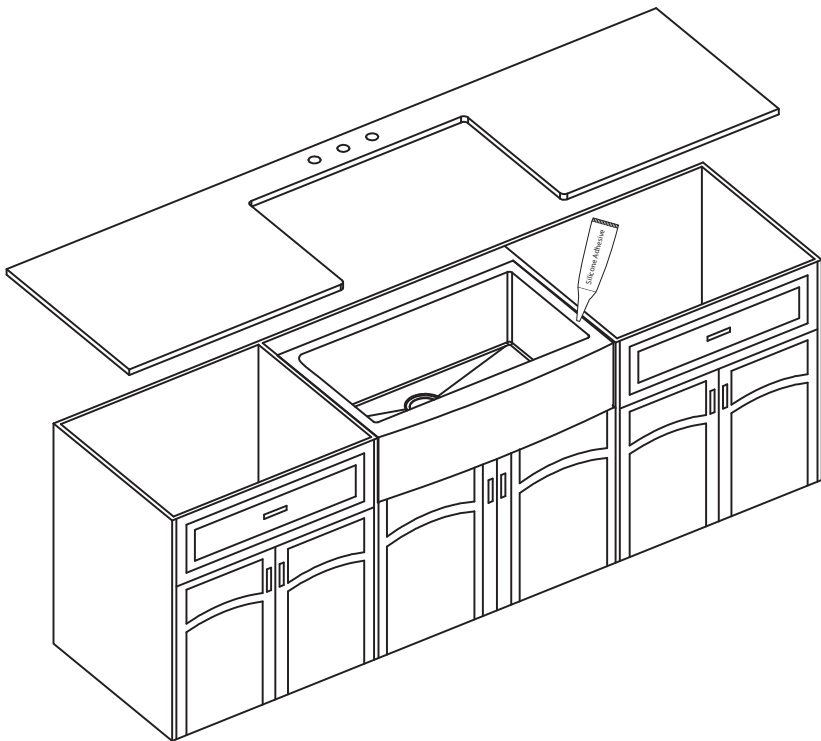
- Place sink in opening. The weight of sink should be sustained by the built supports
- Make sure sink is leveled from front to back and side to side
- Uses silicone to fill in gaps where necessary



4. Cut Countertop

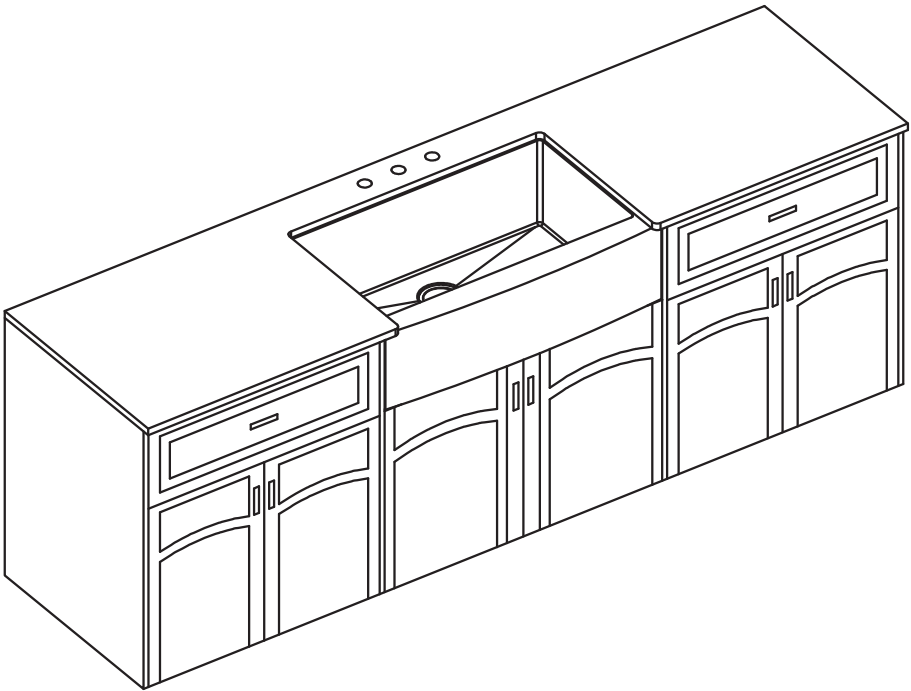
- Use a bead of silicone (or preferred adhesive) around the rim of the sink. Check the alignment of the sink to the cutout in the countertop. Place countertop cutout hole over sink and press firmly

Installer Tip: Use acetone or rubbing alcohol to remove any excess sealant



5. Installing Plumbing Fixtures

- Connect drain, trap to drain and water supply connections to the faucet according to manufacturer's instruction.
- Run water into sink and check for leaks



Codes/Standards Applicable:



HELP LINE

Our customer service hours are Monday – Friday, 9am – 8pm EST.
Be sure to visit our website at www.kraususa.com

If you are a HOMEOWNER please contact a Kraus Customer Service Representative at:

Kraus USA, Inc.
12 Harbor Park Drive
Port Washington, NY 11050
Toll-free 800-775-0703
Customerservice@kraususa.com

If you are a PLUMBING CONTRACTOR OR TRADE PROFESSIONAL please contact a Kraus Pro Representative at:

Kraus USA, Inc.
12 Harbor Park Drive
Port Washington, NY 11050
516-801-8955
Proservice@kraususa.com

If you are an AUTHORIZED PARTNER please contact a Partner Support Representative at:

Kraus USA, Inc.
12 Harbor Park Drive
Port Washington, NY 11050
516-801-8954
Partnersupport@kraususa.com

In requesting warranty service, please be ready to provide:

1. Proof of purchase.
2. A description of the problem.

REGISTER YOUR PRODUCT TODAY

Receive Proof of Ownership
Access Customer Care & Installation Help
Get Exclusive Kraus Offers & Promotions



Scan to Register Online
or visit <http://www.kraususa.com/registration>

We're always looking for ways to improve.

Please take a moment to share your experience.
Visit <http://www.kraususa.com/review> to let us know what you think
about your new Kraus product.

Contact Us to Learn More
1.800.775.0703 / www.kraususa.com / customerservice@kraususa.com
Like & Follow KrausUSA

Download the Kraus Care & Maintenance Guide at:
<http://www.kraususa.com/maintenance>



Kräus[®]

www.kraususa.com

Kräus®

INSTALLATION MANUAL

**Oletto™ Single Lever Pull Down
Kitchen Faucet
KPF-2620**

Thank you for your purchase

We would like to take this opportunity to thank you for choosing Kraus. We hope that you are completely satisfied with your purchase, and enjoy it for years to come. If you have any questions, or require technical assistance, please contact us at 800.775.0703 and one of our representatives will be happy to help.

For more information about Kraus products, please visit:

www.kraususa.com

In order to activate your warranty and get faster access to customer support, please register your new Kraus product at:

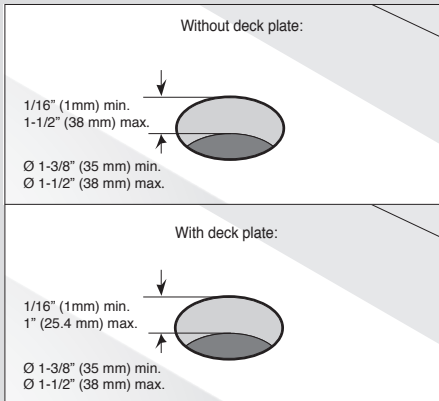
www.kraususa.com/registration

Sincerely,

Kraus USA Customer Service

Prior to Installation:

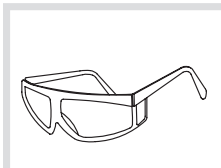
- Make sure you have all necessary parts by checking the diagram and parts list. If any part is missing or damaged, please contact Kraus Customer Service at 800-775-0703 for a replacement
- Turn off the hot and cold water supply at the angle stops and turn on the old faucet to release any built up pressure. Remove existing faucet. Clean sink or countertop to remove any debris, plumber's putty, or silicone
- Place bucket under angle stops. Turn on to flush any debris prior to installing new plumbing. Shut off angle stops
- Pre-drilled hole size requirement: 1-3/8" (min) – 1-1/2" (max)
- Max countertop thickness without deck plate: 1-1/2"
- Max countertop thickness with deck plate: 1"
- 1, 2, or 3 hole installation



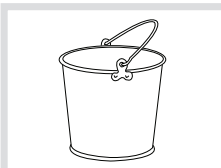
Tools you will need:



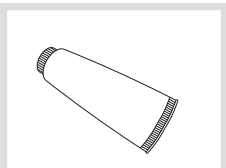
Adjustable Wrench



Safety Goggles

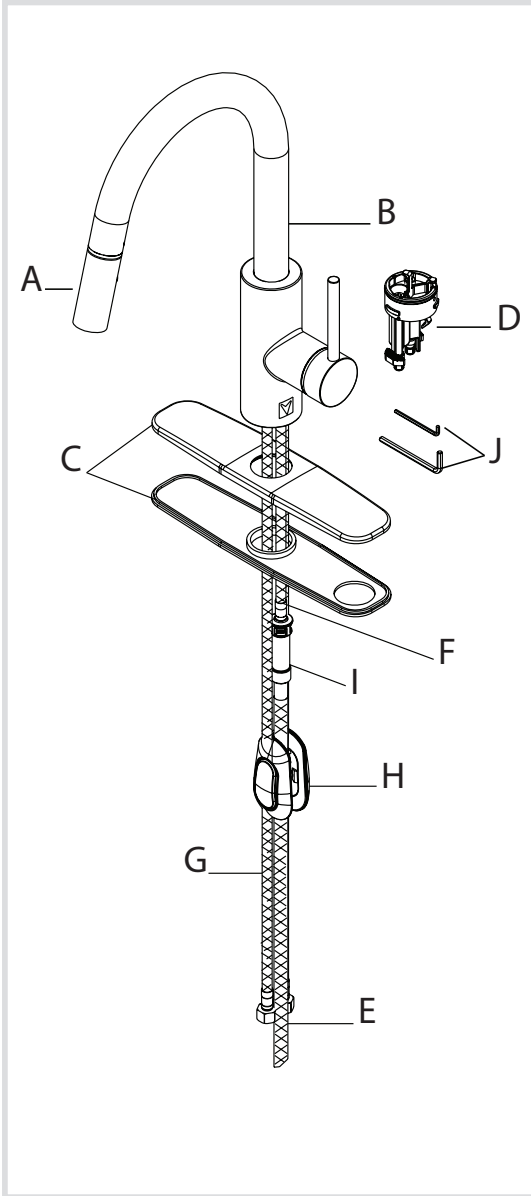


Bucket



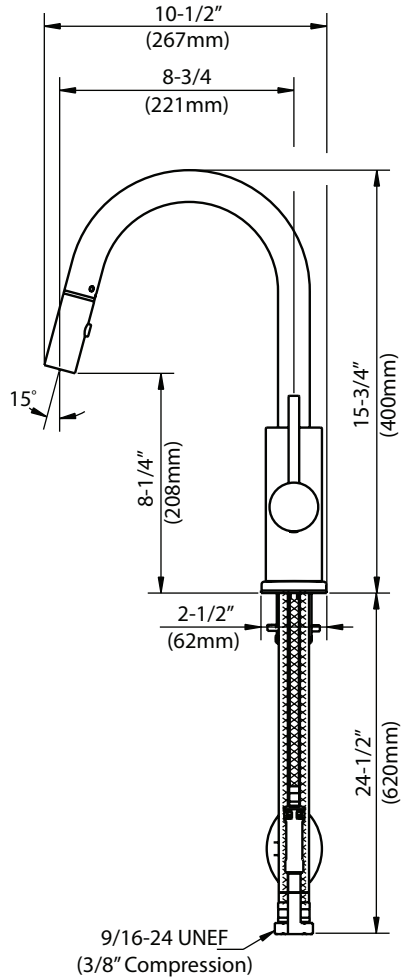
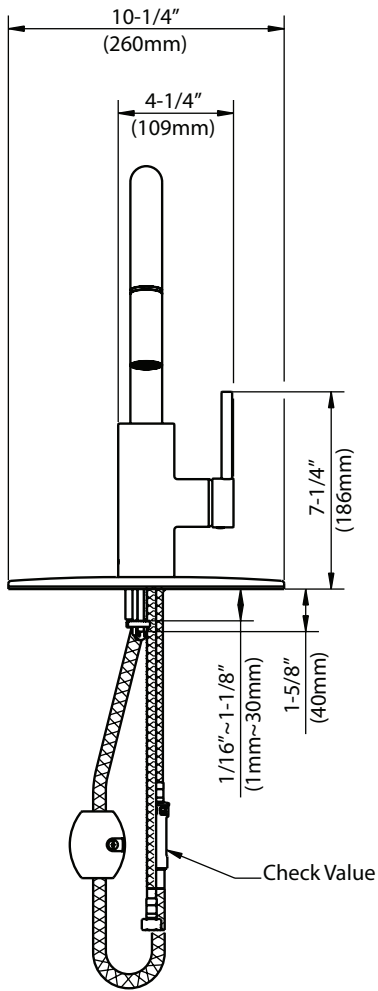
Silicone Sealant

Diagram and Parts List

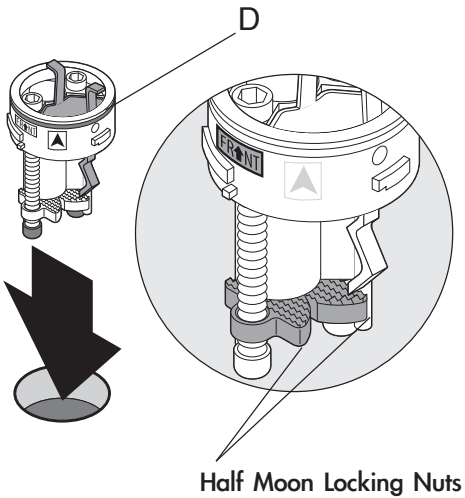


- A. Spray Head
- B. Faucet Body
- C. Deck & Putty Plate
- D. Base
- E. Spray Hose
- F. Supply Hose
- G. Hot & Cold Waterlines
- H. Weight
- I. Quick Connect
- J. Hex Wrench Set
 - J1. 2.5mm
 - J2. 4mm

Faucet Dimensions



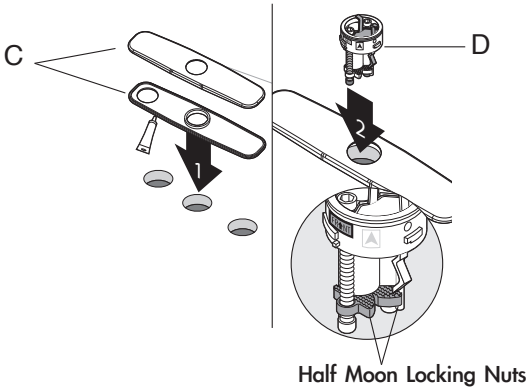
Step 1A: Install base without deck & putty plate



Insert base (D) into sink or countertop with "FR↑NT" facing forward. Tighten screws on base (D) with 4mm hex wrench (J) until base is secure on sink or countertop

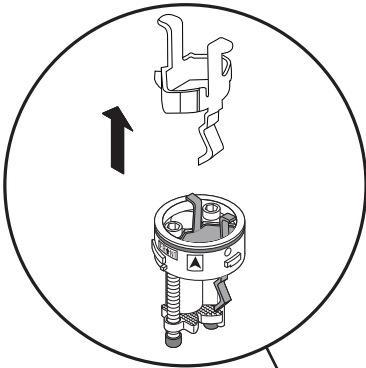
Installer Tip: Rotate the two half-moon shaped locking nuts inward before inserting base (D) into sink or countertop

Step 1B: Install base with deck & putty plate



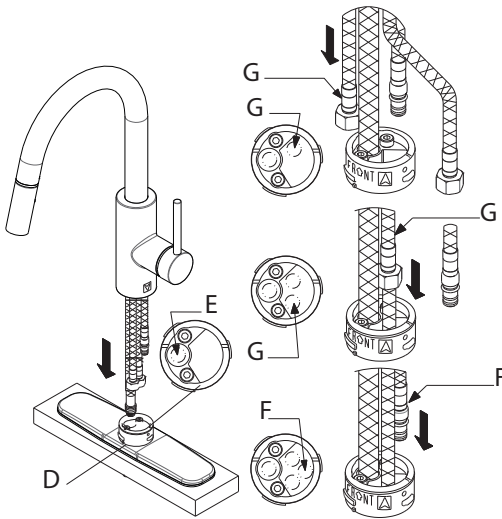
Place a bead of clear silicone sealant (not included) around the edge of the putty plate (C). Secure deck & putty plate (C) on sink or countertop. Insert base (D) into hole of deck & putty plate (C) with "FR↑NT" facing forward. Tighten screws on base (D) with 4mm hex wrench (J) until base is secure on deck & putty plate (C)

Installer Tip: Rotate the two half-moon shaped locking nuts inward before inserting base (D) into deck plate (C)



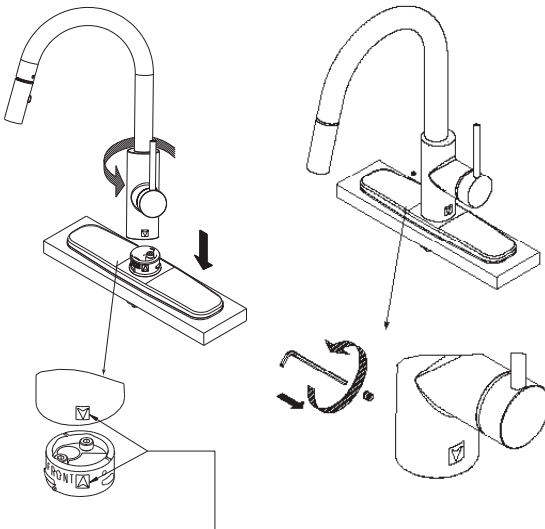
Please Note: After base (D) is secure, remove clip

Step 2: Install faucet



Remove Quick Connect (I) from spray hose (E). Insert spray hose (E) into small hole of base (D). Insert hot & cold waterlines and supply hose (F), one by one, in large hole of base

Step 3: Secure faucet

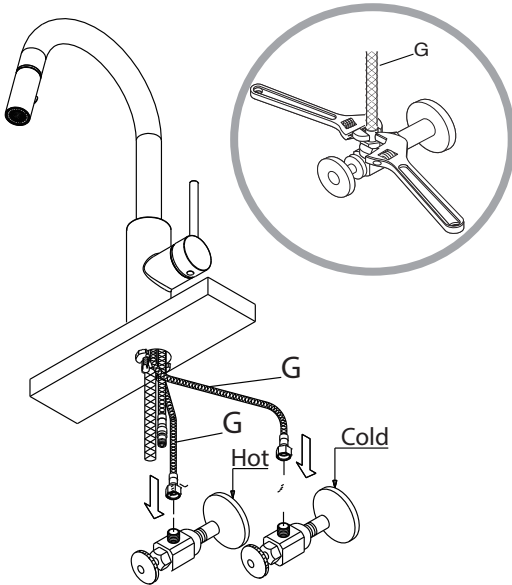


Align arrow on faucet body (B) with arrow on base (D). Attach faucet body (B) to base (D) and turn counter-clockwise. Secure faucet body (B) by tightening the set screw with 2.5mm hex wrench (J)

Installer Tip: Please loosen set screw from faucet body (B) prior to securing to base (D)

Note: "▲" on base should be in alignment with "▼" on faucet body. Rotate faucet counterclockwise to secure on base.

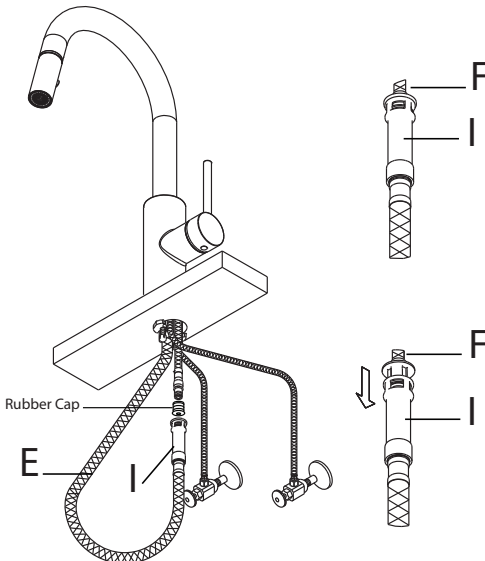
Step 4: Connect waterlines to main valve



Thread hot & cold waterlines (G) onto angle stops. Tighten with adjustable wrench until snug. Turn on the angle stops and check for leaks (DO NOT TURN FAUCET ON)

Installer Tip: Use two wrenches when securing waterlines to angle stops to prevent kinking, as shown in picture

Step 5: Connect quick connect

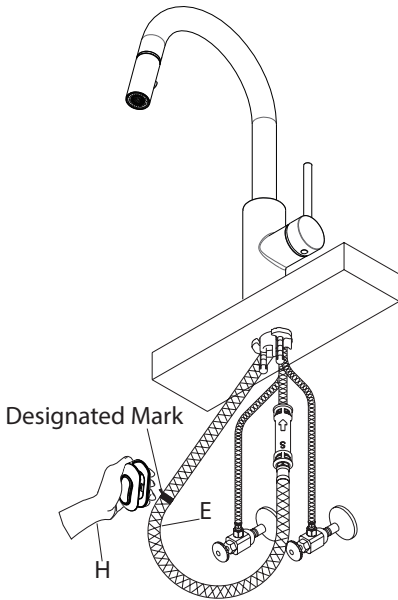


Attach Quick Connect (I) to spray hose (E). Attach the other end onto the supply hose (F) until you hear a click

Installer Tip: Please remove rubber cap from supply hose (F) prior to installing quick connect (I)

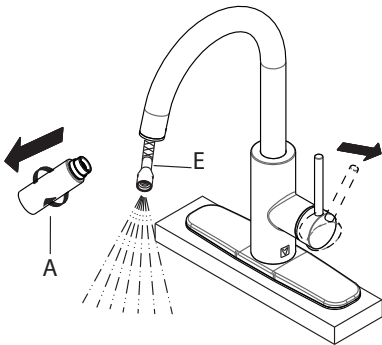
Installer Tip: Tug on the spray hose (E) moderately to ensure connection is secure

Step 6: Install weight

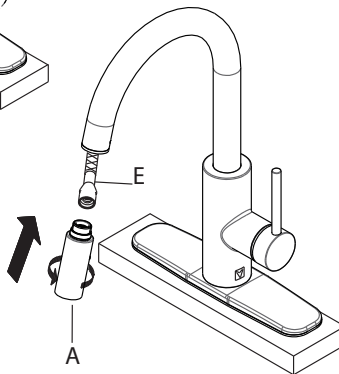


Attach weight (H) on the designated mark on the spray hose (E)

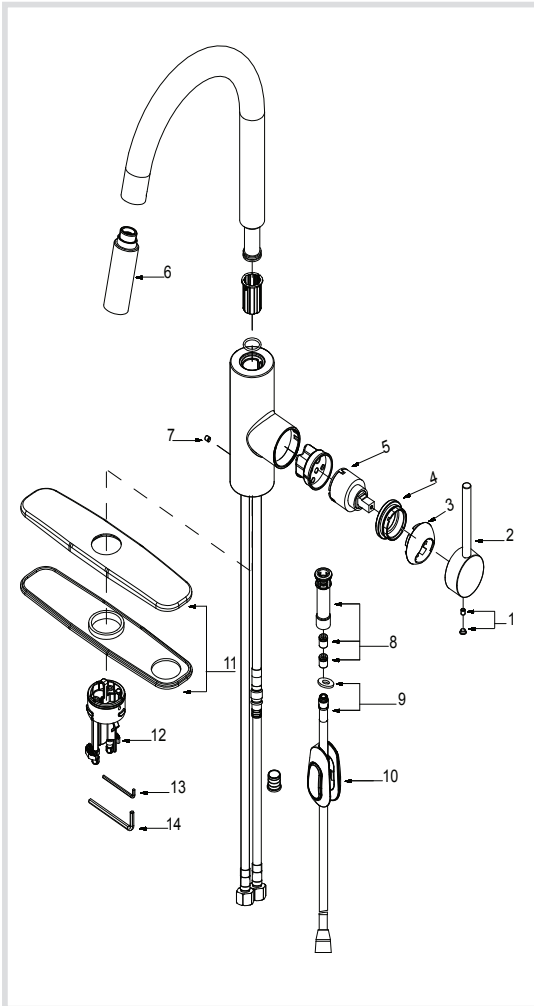
Step 7: Flush faucet



Remove spray head (A). Hold tip of spray hose (E). Turn faucet on for 1 minute to flush any debris. Reconnect spray head (A)



Replacement Part List



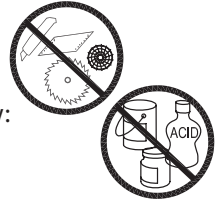
1. A Index Button
B Set Screw
2. Metal Handle
3. Cartridge Cover
4. Locking Nut
5. Cartridge
6. Spray Head
7. Set Screw
8. Quick Connect Assembly
9. Spray Hose
10. Weight
11. Cover & Putty Plate
12. Base
13. Hex Wrench 2.5mm
14. Hex Wrench 4mm

Trouble - Shooting

If you have followed the instructions carefully and your faucet still does not work properly, take the following corrective steps:

PROBLEM	CAUSE	ACTION
Leaking from spray hose	Quick Connect (8) may be installed incorrectly	Remove Quick Connect (8) from spray hose (9) and reinstall. Make sure you hear a click when you install it on the spray hose (9)
Water will not shut off completely	Cartridge (5) may need to be adjusted or replaced	Remove index button (1A). Loosen set screw (1B) with 2.5mm hex wrench (13). Remove metal handle (2). Remove cartridge cover (3) by hand only. Remove locking nut (4) with an adjustable wrench. Remove ceramic disc cartridge (5). Check for cracks
Hose does not retract	Weight (10) may be installed incorrectly	Readjust weight (10) on the hose (9). Make sure it is installed on the designated mark on the hose (9)
Low flow	Quick Connect (8) may be clogged with debris	Remove Quick Connect (8) from hoses. Soak in 50/50 solution of warm water and vinegar for 5 minutes, then reinstall

Care & Maintenance



*To keep the product clean & shining, follow the steps below:

1. Rinse with clean water & dry with a soft cloth
2. Do not clean with soaps, acid, polish, abrasives, or harsh cleaners
3. Do not use cloth with a coarse surface
4. Unscrew the aerator and clean when necessary

*This installation manual is subject to change without further notice.

Download the Kraus Care & Maintenance Guide at:

<http://www.kraususa.com/maintenance>

Codes/Standards Applicable:



NSF/ANSI Standard 61 certified by IAPMO
NSF/ANSI Standard 372 certified by IAPMO



Meets ASME A112.18.1M/A112.18.1
1.75GPM 6.6L/min maximum

HELP LINE

Our customer service hours are Monday – Friday, 9am – 8pm EST.
Be sure to visit our website at www.kraususa.com

If you are a homeowner please contact a Kraus Customer Service Representative at:

Kraus USA, Inc.
12 Harbor Park Drive
Port Washington, NY 11050
Toll-free 800-775-0703
Customerservice@kraususa.com

If you are a plumbing contractor or trade professional please contact a Kraus Pro Representative at:

Kraus USA, Inc.
12 Harbor Park Drive
Port Washington, NY 11050
516-801-8955
Proservice@kraususa.com

If you are an Authorized Partner please contact a Partner Support Representative at:

Kraus USA, Inc.
12 Harbor Park Drive
Port Washington, NY 11050
516-801-8954
Partnersupport@kraususa.com

In requesting warranty service, please be ready to provide:

1. Proof of purchase.
2. A description of the problem.

Kräus[®]

www.kraususa.com

REGISTER YOUR PRODUCT TODAY

Receive Proof of Ownership
Access Customer Care & Installation Help
Get Exclusive Kraus Offers & Promotions



Scan to Register Online
or visit <http://www.kraususa.com/registration>

We're always looking for ways to improve.

Please take a moment to share your experience.
Visit <http://www.kraususa.com/review> to let us know what you think
about your new Kraus product.

Contact Us to Learn More
1.800.775.0703 / www.kraususa.com / customerservice@kraususa.com
Like & Follow KrausUSA

Download the Kraus Care & Maintenance Guide at:
<http://www.kraususa.com/maintenance>



Kräus[®]

www.kraususa.com

Kräus[®]

INSTALLATION MANUAL

Soap Dispensers

KSD-30

KSD-33

KSD-35

KSD-41

KSD-42

SD-20

SD-25

Thank you for your purchase

We would like to take this opportunity to thank you for choosing Kraus. We hope that you are completely satisfied with your purchase, and enjoy it for years to come. If you have any questions, or require technical assistance, please contact us at 800.775.0703 and one of our representatives will be happy to help.

For more information about Kraus products, please visit:

www.kraususa.com

In order to activate your warranty and get faster access to customer support, please register your new Kraus product at:

www.kraususa.com/registration

Sincerely,

Kraus USA Customer Service

PRIOR TO INSTALLATION

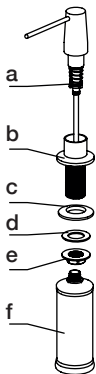
- Make sure you have all necessary parts by checking the diagram and parts list. If any part is missing or damaged, please contact Kraus Customer Service at 800-775-0703 for a replacement
- Pre-drilled hole size requirement: 1-1/4"
- Max countertop thickness without deck plate: 1-3/8"

For technical assistance or replacement parts, please contact Kraus Customer Service and one of our representatives will be happy to help:

Toll-Free: 800.775.0703 or Customerservice@kraususa.com

The step-by-step guidelines in the installation instructions are a general reference for installing a Kraus Sink. Should there be any discrepancies, Kraus cannot be held liable. It is recommended to install all Kraus products by hiring a licensed professional.

GDA-1 Diagram and Parts List:



- a. Pump*
- b. Dispenser Base*
- c. Rubber Washer A*
- d. Rubber Washer B*
- e. Mounting Nut*
- f. Dispenser Bottle*

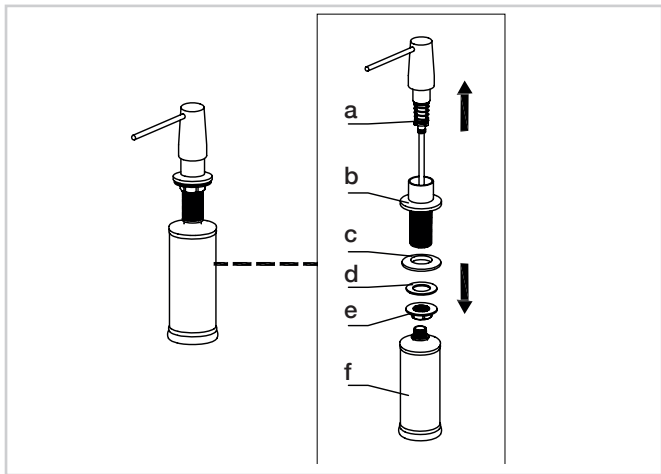
TOOLS REQUIRED:



*Adjustable Wrench

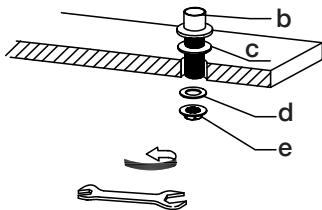
Step 1

Disassemble soap dispenser



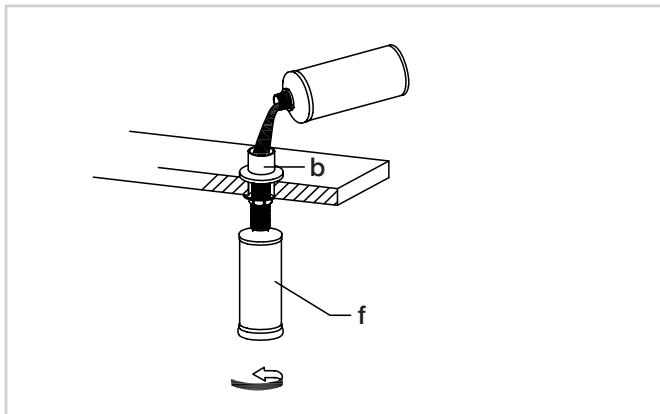
Step 2

Install dispenser base (b) with rubber washer A (c) attached into the hole in the countertop. Re-install rubber washer B (d) and mounting nut (e) on the dispenser base (b) from underneath the countertop. Tighten mounting nut (e) with adjustable wrench until snug



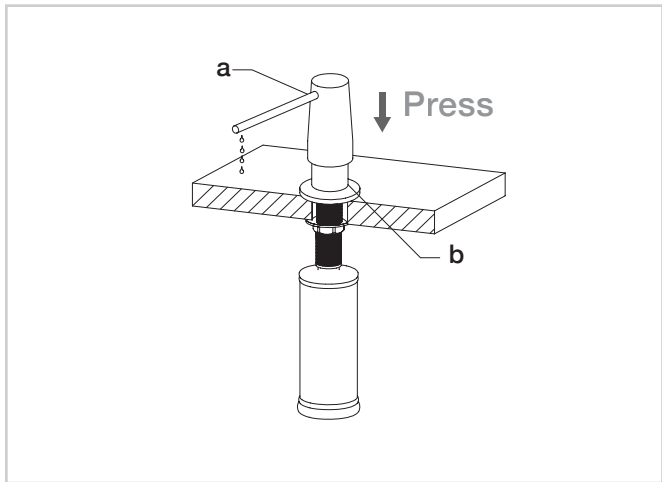
Step 3

Screw the dispenser bottle (f) to the dispenser base (b) from underneath the countertop. Tighten as required. Fill the dispenser bottle (f) from the top with 12 ounces of soap



Step 4

Insert pump (a) into dispenser base (b) from the top. Press the pump several times to make sure soap is evenly distributed



HELP LINE

Our customer service hours are Monday – Friday, 9am – 8pm EST.

Be sure to visit our website at www.kraususa.com

If you are a HOMEOWNER please contact a Kraus Customer Service Representative at:

Kraus USA, Inc.
12 Harbor Park Drive
Port Washington, NY 11050
Toll-free 800-775-0703
Customerservice@kraususa.com

If you are a PLUMBING CONTRACTOR OR TRADE PROFESSIONAL please contact a Kraus Pro Representative at:

Kraus USA, Inc.
12 Harbor Park Drive
Port Washington, NY 11050
516-801-8955
Proservice@kraususa.com

If you are an AUTHORIZED PARTNER please contact a Partner Support Representative at:

Kraus USA, Inc.
12 Harbor Park Drive
Port Washington, NY 11050
516-801-8954
Partnersupport@kraususa.com

In requesting warranty service, please be ready to provide:

1. Proof of purchase.
2. A description of the problem.

Kräus®

www.kraususa.com

REGISTER YOUR PRODUCT TODAY



Receive Proof of Ownership

Access Customer Care & Installation Help

Get Exclusive Kraus Offers & Promotions

Scan to Register Online or visit
<http://www.kraususa.com/registration>

We're always looking for ways to improve.

Please take a moment to share your experience.

Visit <http://www.kraususa.com/review> to let us know what you think about your new Kraus product.

Contact Us to Learn More

1.800.775.0703 / www.kraususa.com / customerservice@kraususa.com

Like & Follow KrausUSA

Download the Kraus Care & Maintenance Guide at:

<http://www.kraususa.com/maintenance>



Kräus[®]

www.kraususa.com