

## KBG-12

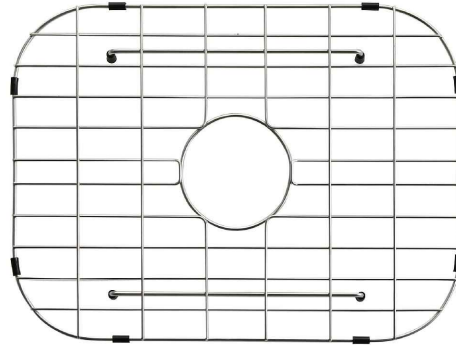
### Stainless Steel Kitchen Sink Bottom Grid

#### Grid Dimensions

Overall Dimensions: 19 1/4" x 14 1/8" x 1 1/4"

#### Features

- Commercial grade stainless steel construction
- For Use with the KBU12 kitchen sink
- Protects bottom of sink from daily wear and tear
- Rubber feet provide additional protection



#### Warranty

Kraus One Year Limited Warranty

see website for details [www.kraususa.com](http://www.kraususa.com)

