

# Aquila™ / FUS-13901

Single Lever Basin Faucet

Brushed Nickel / Chrome Finishes

# Kräus®

SPECIFICATION SHEET

## Material

Body: Brass  
Handle: Zinc  
Waterway: Brass

## Faucet Type

Single Lever Basin

## Cartridge

Brand: Kerox  
Size: 35mm  
Style: Lever

## Mounting

Holes: 1 Hole  
Type: Bolt and U-Washer

## Waterlines

Type: CAE  
Flexible: Flexible  
Connections: 3/8"  
Materials: Braided Stainless Steel  
Included  
Factory Installed

## Aerator

Brand: Neoperl/1.2GPM  
Name: Perlator Honeycomb SSR  
Flow Rate: 1.2gpm (4.5L/min) @ 60 psi

## Dimensions

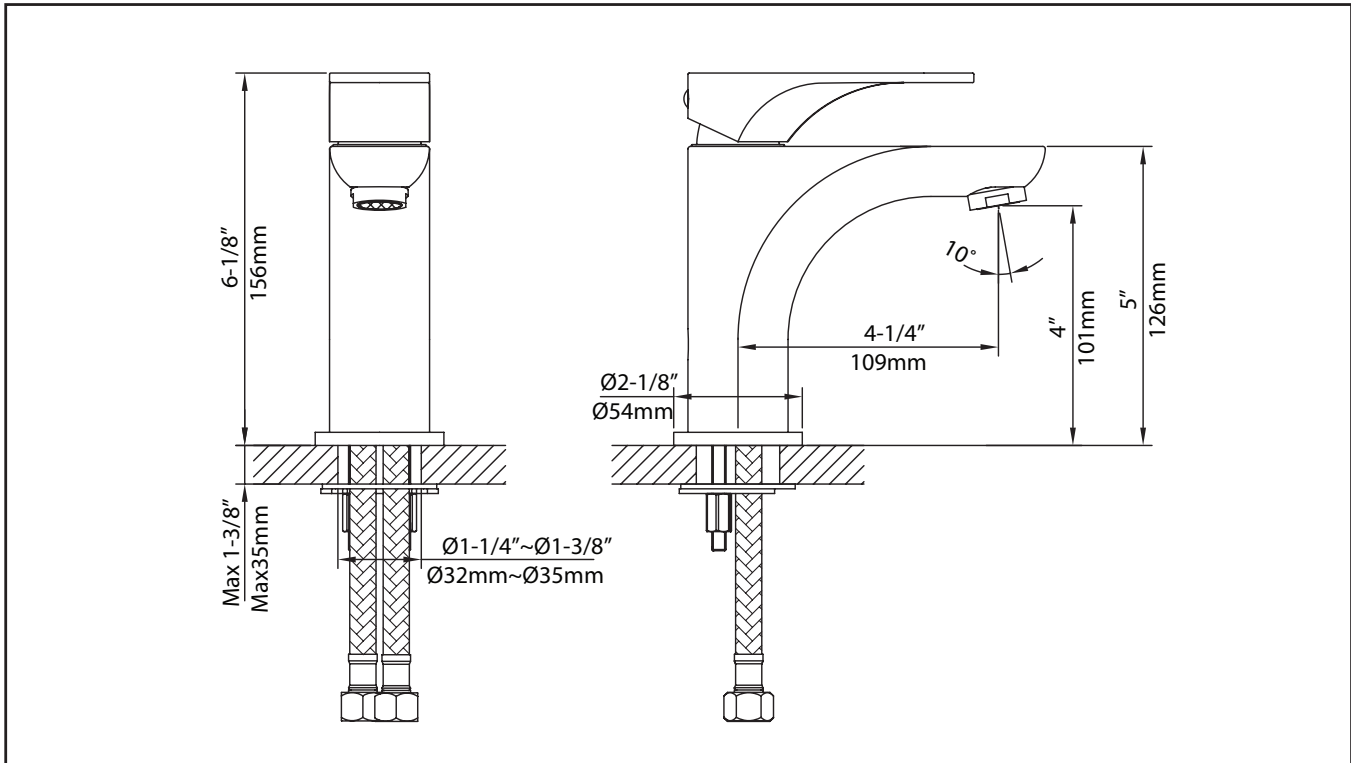
Faucet Dimensions: 6 1/8" x 4 1/4" x 2 1/8"

## Accessories Included

Lift Rod Drain, Hex Wrench

Kraus Limited Lifetime Warranty: See website for details [www.kraususa.com](http://www.kraususa.com)

1.800.775.0703 / [customerservice@kraususa.com](mailto:customerservice@kraususa.com)



Codes/Standards: Meets ASME A112.18.1/CSA B125.1, NSF/ANSI Standard 61 certified by IAPMO, NSF/ANSI Standard 372 certified by IAPMO, CAL GREEN, EPA, CEC, DOE, ADA

REV. August 16, 2016