

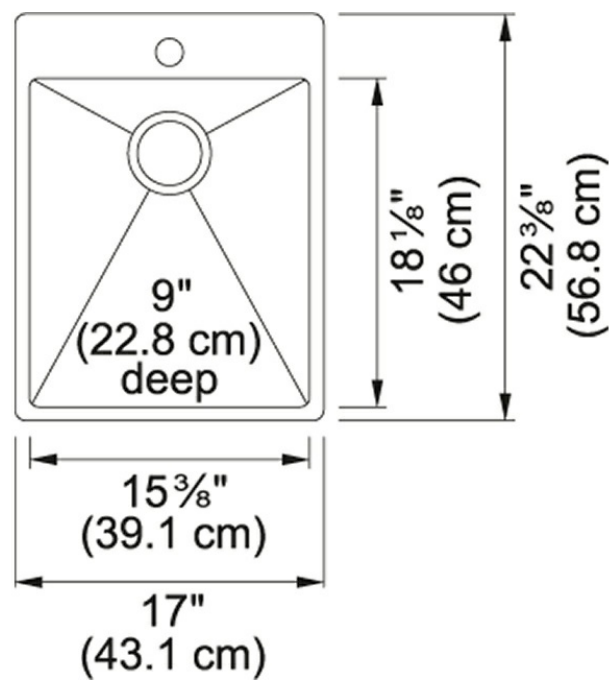
Vector Stainless Steel

Ranging in size from single bowl to triple bowl the Vector series has something for everyone. Add in the professional look and Franke's unique Fast-IN quick install system and you have yourself a real winner.

Product Picture



Technical Drawing



Product Dimensions

Length overall	22375"
Width overall	17"
Depth Overall	9"
Length of large bowl	18125"
Width of large bowl	15375"
Depth of large bowl	9"
Length of small bowl	17 3/4"
Width of small bowl	8 1/2"
Minimum Cabinet Size	21"

General Information

Type of Material	18 Gauge Stainless Steel
Number of Bowls	1
Faucet Hole	1
Installation Clips	Yes
Cut-Out Template	Yes
Where to buy	Showroom

Article Numbers

FUN#	127.0479.292
US Part Number	HTS1722-1

