

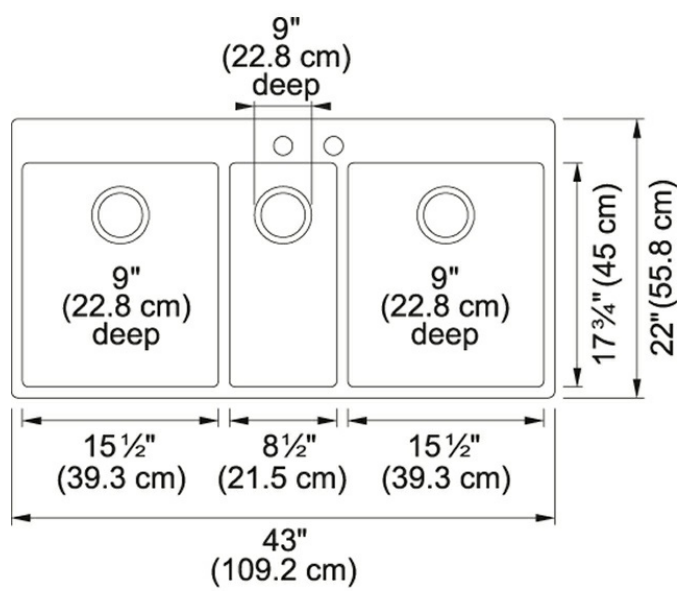
Vector HFT4322-2 Stainless Steel

Ranging in size from single bowl to triple bowl the Vector series has something for everyone. Add in the professional look and Franke's unique Fast-IN quick install system and you have yourself a real winner.

Product Picture



Technical Drawing



Product Dimensions

Length overall	22"
Width overall	43"
Depth Overall	9"
Length of large bowl	17 3/4"
Width of large bowl	15 1/2"
Depth of large bowl	9"
Length of small bowl	17 3/4"
Width of small bowl	8 1/2"
Minimum Cabinet Size	45"

General Information

Type of Material	18 Gauge Stainless Steel
Number of Bowls	3
Faucet Hole	2
Installation Clips	Yes
Cut-Out Template	Yes
Where to buy	Showroom

Article Numbers

FUN#	127.0444.062
US Part Number	HFT4322-2



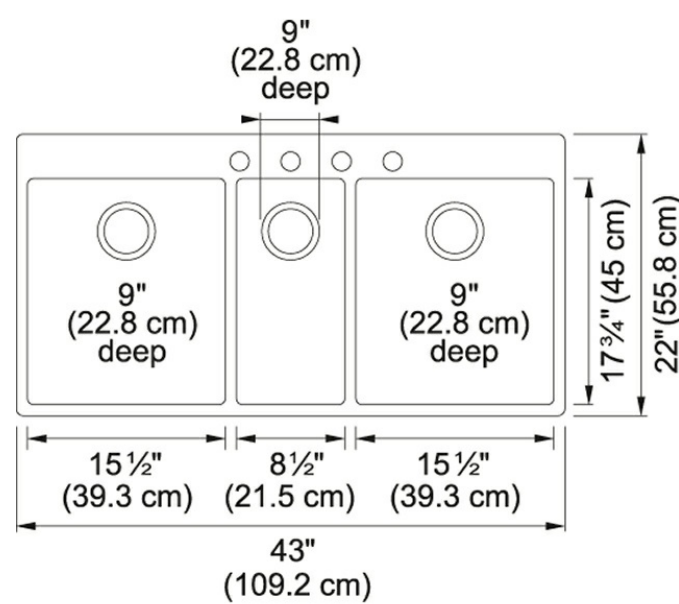
Vector HFT4322-4 Stainless Steel

Ranging in size from single bowl to triple bowl the Vector series has something for everyone. Add in the professional look and Franke's unique Fast-IN quick install system and you have yourself a real winner.

Product Picture



Technical Drawing



Product Dimensions

Length overall	22"
Width overall	43"
Depth Overall	9"
Length of large bowl	17 3/4"
Width of large bowl	15 1/2"
Depth of large bowl	9"
Length of small bowl	17 3/4"
Width of small bowl	8 1/2"
Minimum Cabinet Size	45"

General Information

Type of Material	18 Gauge Stainless Steel
Number of Bowls	3
Faucet Hole	4
Installation Clips	Yes
Cut-Out Template	Yes
Where to buy	Showroom

Article Numbers

FUN#	127.0444.066
US Part Number	HFT4322-4

