

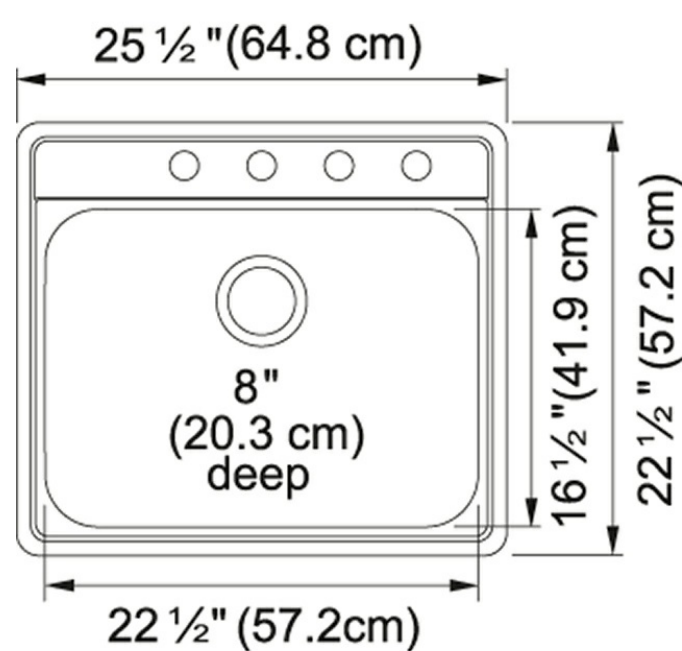
## Evolution EVSAS804-20 Stainless Steel

A breakthrough in style and simplicity, the sleek Evolution sink series boasts more than enough room for every kitchen task and features Franke's Fast-IN Quick Install System – for a sink installation that is as simple as 1, 2, Click!. These topmount sinks blend seamlessly into diverse spaces, gracing each kitchen with an evolved style all its own.

Product Picture



Technical Drawing



Product Dimensions

Length overall	18187 1/2"
Width overall	14687 1/2"
Depth Overall	8"
Length of large bowl	17"
Width of large bowl	13 1/2"
Depth of large bowl	8"
Minimum Cabinet Size	18"

General Information

Type of Material	20 Gauge Stainless Steel
Number of Bowls	1
Faucet Hole	4
Installation Clips	Yes
Where to buy	Showroom

Article Numbers

FUN#	127.0392.468
US Part Number	EVSAS804-20

