

Evolution EVSAG801-18 Stainless Steel

A breakthrough in style and simplicity, the sleek Evolution sink series boasts more than enough room for every kitchen task and features Franke's Fast-IN Quick Install System – for a sink installation that is as simple as 1, 2, Click!. These topmount sinks blend seamlessly into diverse spaces, gracing each kitchen with an evolved style all its own.

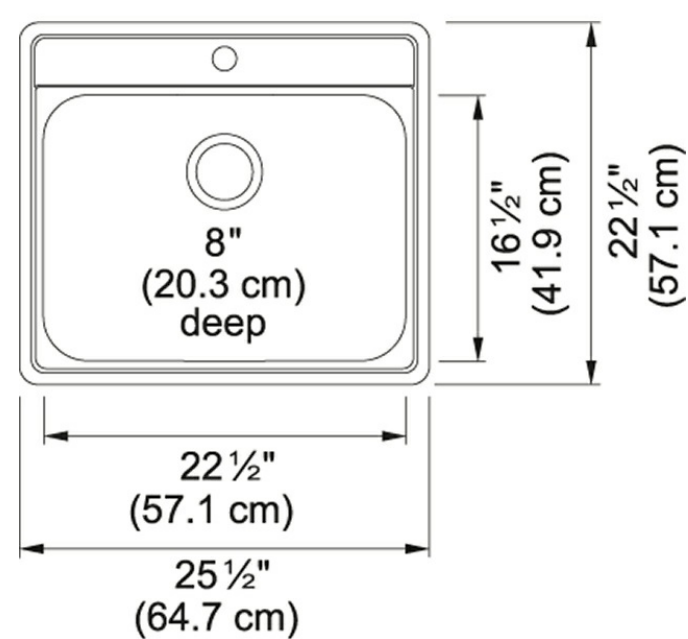
Product Picture



Product Dimensions

Length overall	22 1/2"
Width overall	25 1/2"
Depth Overall	8"
Length of large bowl	16 1/2"
Width of large bowl	22 1/2"
Depth of large bowl	8"
Minimum Cabinet Size	27"

Technical Drawing



General Information

Type of Material	18 Gauge Stainless Steel
Number of Bowls	1
Faucet Hole	1
Installation Clips	Yes
Where to buy	Home Center

Article Numbers

FUN#	127.0392.479
US Part Number	EVSAG801-18



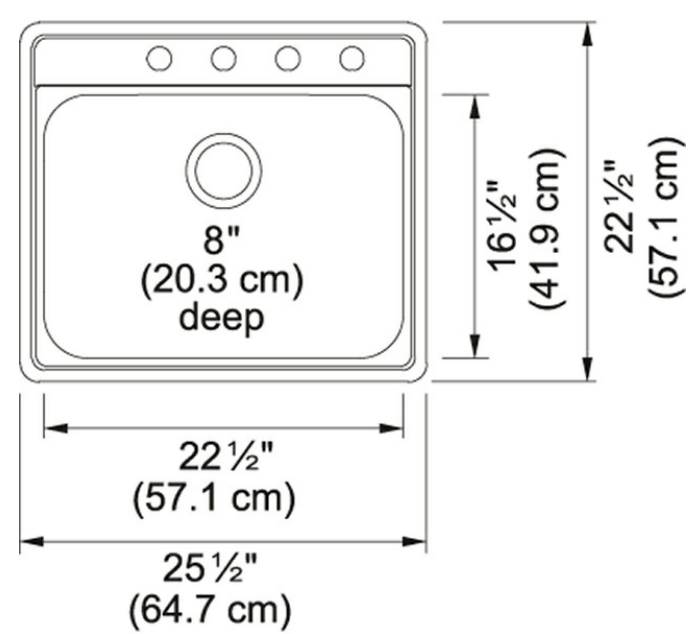
Evolution EVSAG804-18 Stainless Steel

A breakthrough in style and simplicity, the sleek Evolution sink series boasts more than enough room for every kitchen task and features Franke's Fast-IN Quick Install System – for a sink installation that is as simple as 1, 2, Click!. These topmount sinks blend seamlessly into diverse spaces, gracing each kitchen with an evolved style all its own.

Product Picture



Technical Drawing



Product Dimensions

Length overall	22 1/2"
Width overall	25 1/2"
Depth Overall	8"
Length of large bowl	16 1/2"
Width of large bowl	22 1/2"
Depth of large bowl	8"
Minimum Cabinet Size	27"

General Information

Type of Material	18 Gauge Stainless Steel
Number of Bowls	1
Faucet Hole	4
Installation Clips	Yes
Where to buy	Home Center

Article Numbers

FUN#	127.0392.474
US Part Number	EVSAG804-18

