

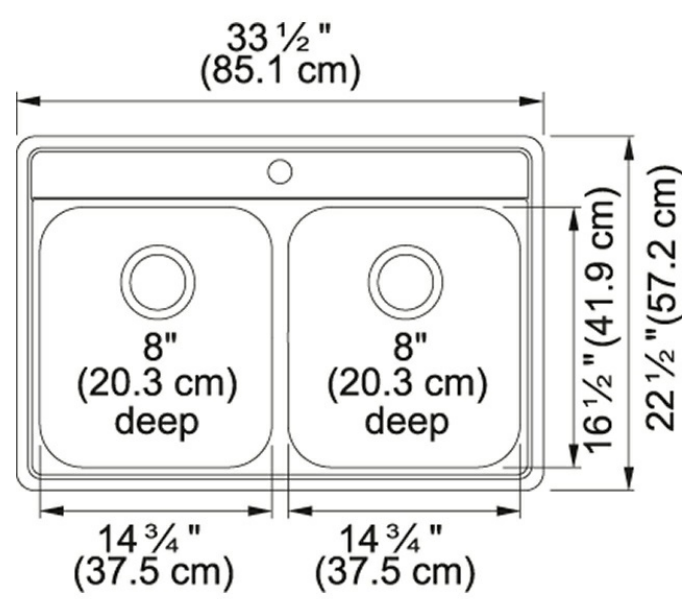
Evolution EVDAS801-20 Stainless Steel

A breakthrough in style and simplicity, the sleek Evolution sink series boasts more than enough room for every kitchen task and features Franke's Fast-IN Quick Install System – for a sink installation that is as simple as 1, 2, Click!. These topmount sinks blend seamlessly into diverse spaces, gracing each kitchen with an evolved style all its own.

Product Picture



Technical Drawing



Product Dimensions

Length overall	22 1/2"
Width overall	33 1/2"
Depth Overall	8"
Length of large bowl	16 1/2"
Width of large bowl	14 3/4"
Depth of large bowl	8"
Length of small bowl	16 1/2"
Width of small bowl	14 3/4"
Minimum Cabinet Size	36"

General Information

Type of Material	20 Gauge Stainless Steel
Number of Bowls	2
Faucet Hole	1
Installation Clips	Yes
Where to buy	Home Center

Article Numbers

FUN#	127.0392.322
US Part Number	EVDAS801-20



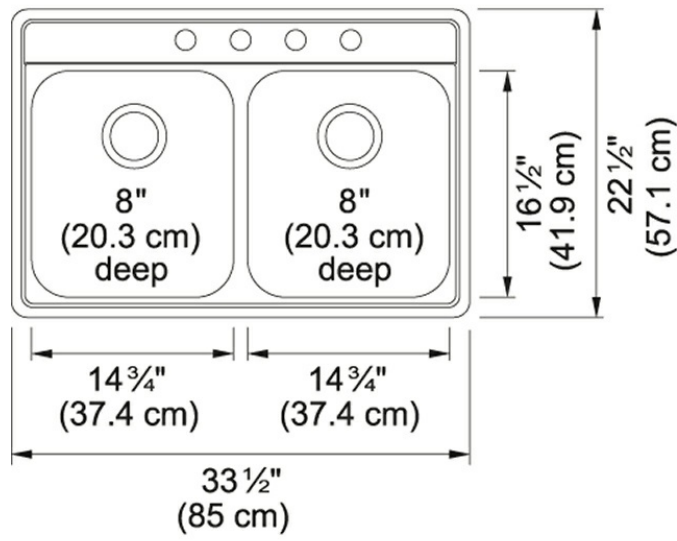
Evolution EVDAS804-20 Stainless Steel

A breakthrough in style and simplicity, the sleek Evolution sink series boasts more than enough room for every kitchen task and features Franke's Fast-IN Quick Install System – for a sink installation that is as simple as 1, 2, Click!. These topmount sinks blend seamlessly into diverse spaces, gracing each kitchen with an evolved style all its own.

Product Picture



Technical Drawing



Product Dimensions

Length overall	33 1/2"
Width overall	22 1/2"
Depth Overall	8"
Length of large bowl	16 1/2"
Width of large bowl	14 3/4"
Depth of large bowl	8"
Minimum Cabinet Size	36"

General Information

Type of Material	20 Gauge Stainless Steel
Number of Bowls	2
Where to buy	Home Center

Article Numbers

FUN#	127.0392.240
US Part Number	EVDAS804-20

