

## Shower base Poseidon

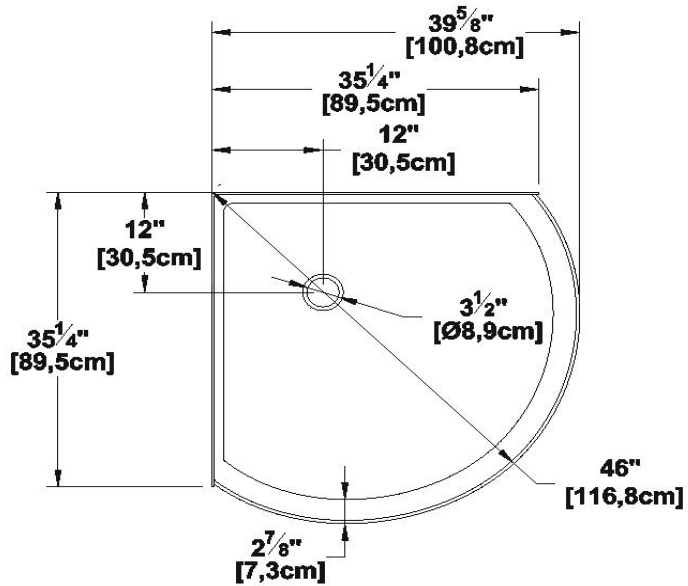
Product code : **BP36**

Draft revision : **20170328171000**

Nominal dimensions : **36" x 36" x 3,5" [91,4 cm x 91,4 cm x 8,9 cm]**

Material : **acrylic**

### Draft and specs

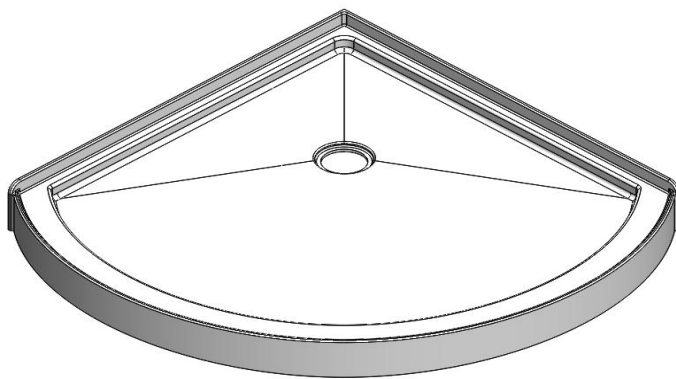


#### Specifications

Textured floor : **yes**  
Footrest : **no**  
Characteristics : **Shower base Poseidon**

#### Remarks

All measures have a precision of  $\pm 1/4"$  (0,63cm)  
If a measure is present on one side only, part is symmetrical



#### Available options

Shower seat : *n/a*  
Shower door : **PO3640 PO3650**

Additional note(s) :

Integrated acrylic tile flanges.

#### IMPORTANT NOTE :

Specifications, dimensions and models are subject to change.  
Visit our website <http://www.oceania-attitude.com> to access up-to-date dimensions and informations. In all cases, information on the website is the most up-to-date.

#### Head office

591, avenue des Entreprises  
Thetford Mines, Quebec  
CANADA G6H 4B2

#### Contact numbers

Phone : 1-877-332-4224  
Fax : 1-866-460-4334

#### Internet

Web : <http://www.oceania-attitude.com>  
Email : [info@oceaniabaths.com](mailto:info@oceaniabaths.com)