



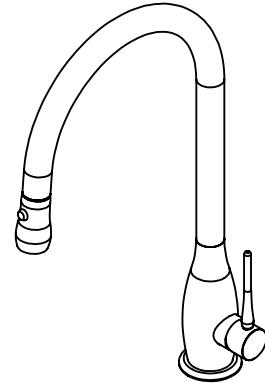
Features

- Solid brass construction
- High-arc 360° rotating spout allows for easy filling of large pots and cleaning
- Magnetic docking secures sprayhead into spout
- One button brass sprayhead has dual function aerated or spray mode
- Spray jets have easy-to-clean surface that withstand mineral build-up
- Quiet polymer-braided hose with rotating joint at sprayhead allows for smooth and non-binding use
- Ceramic disc cartridge
- 1.8 gpm (6.8 L/min) max flow rate
- Over 30 finishes including 15 PVD finishes

Codes/Standards Applicable

Meets or exceeds the following at date of manufacture:

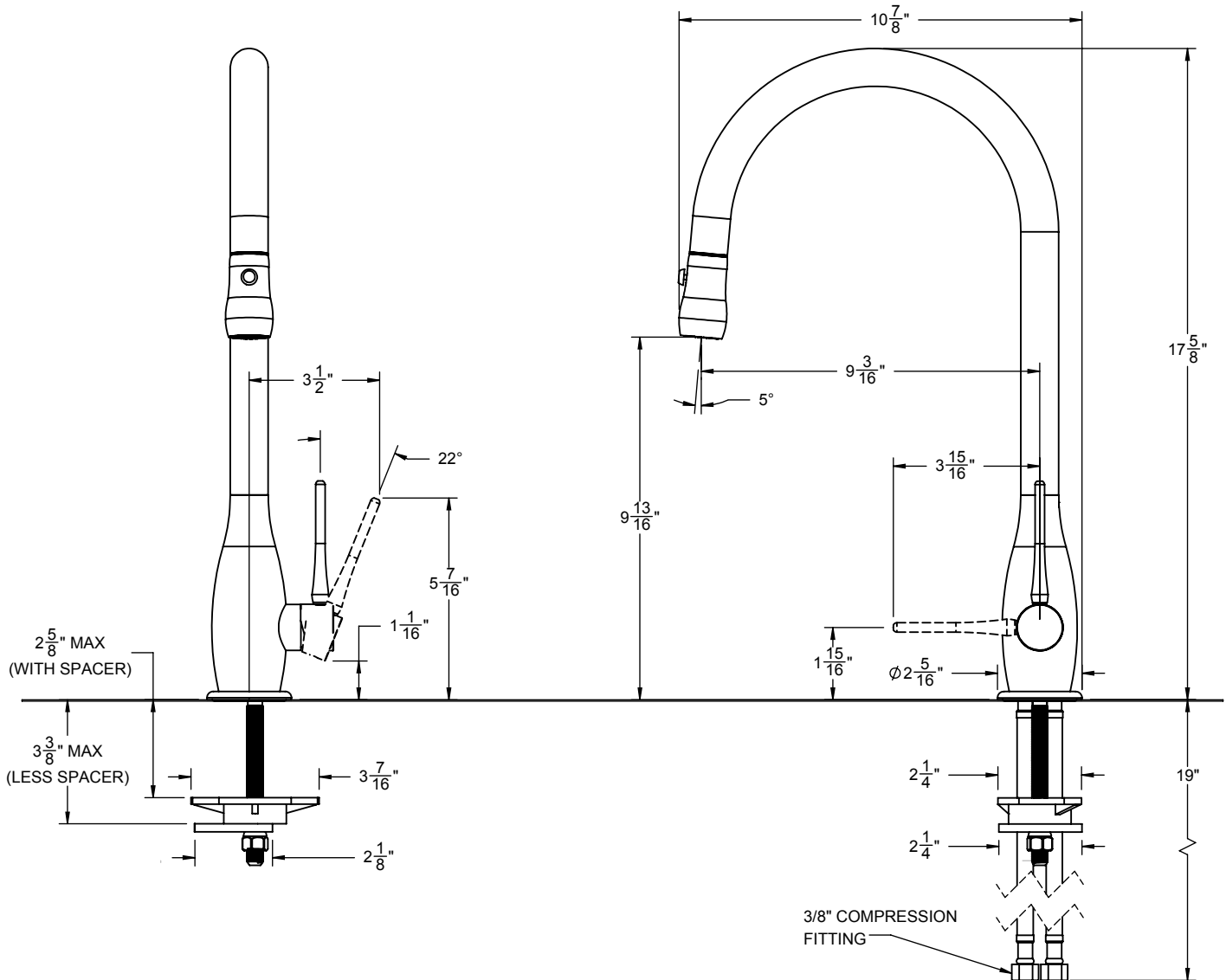
- ASME A112.18.1/CSA B125.1
- NSF 61 and NSF 372



CF-K80-100

THROUGH-HOLE SPECIFICATIONS

MIN	RECOMENDED	MAX
Ø 1-1/4"	Ø 1-3/8"	Ø 1-3/8"



ALL DIMENSIONS SHOWN TO NEAREST 1/16"