



California Faucets®

7701-2

Single Hole Lavatory Faucet Installation Instructions

CALIFORNIA FAUCETS RECOMMENDS THAT ALL PLUMBING PRODUCTS BE INSTALLED BY A LICENSED PROFESSIONAL

+IMPORTANT: Read all instructions prior to installation and provide copy of instructions to consumer.

Operating Specifications:

Recommended Supply Pressure: 20 to 70 psi †

Maximum Flow Rate: 1.2 gpm

* Operating pressures between hot and cold supplies should vary no more than 30 psi.

† If water pressure exceeds 70 psi, install a Pressure-Reducing Valve (PRV).

I INSTALLING FAUCET

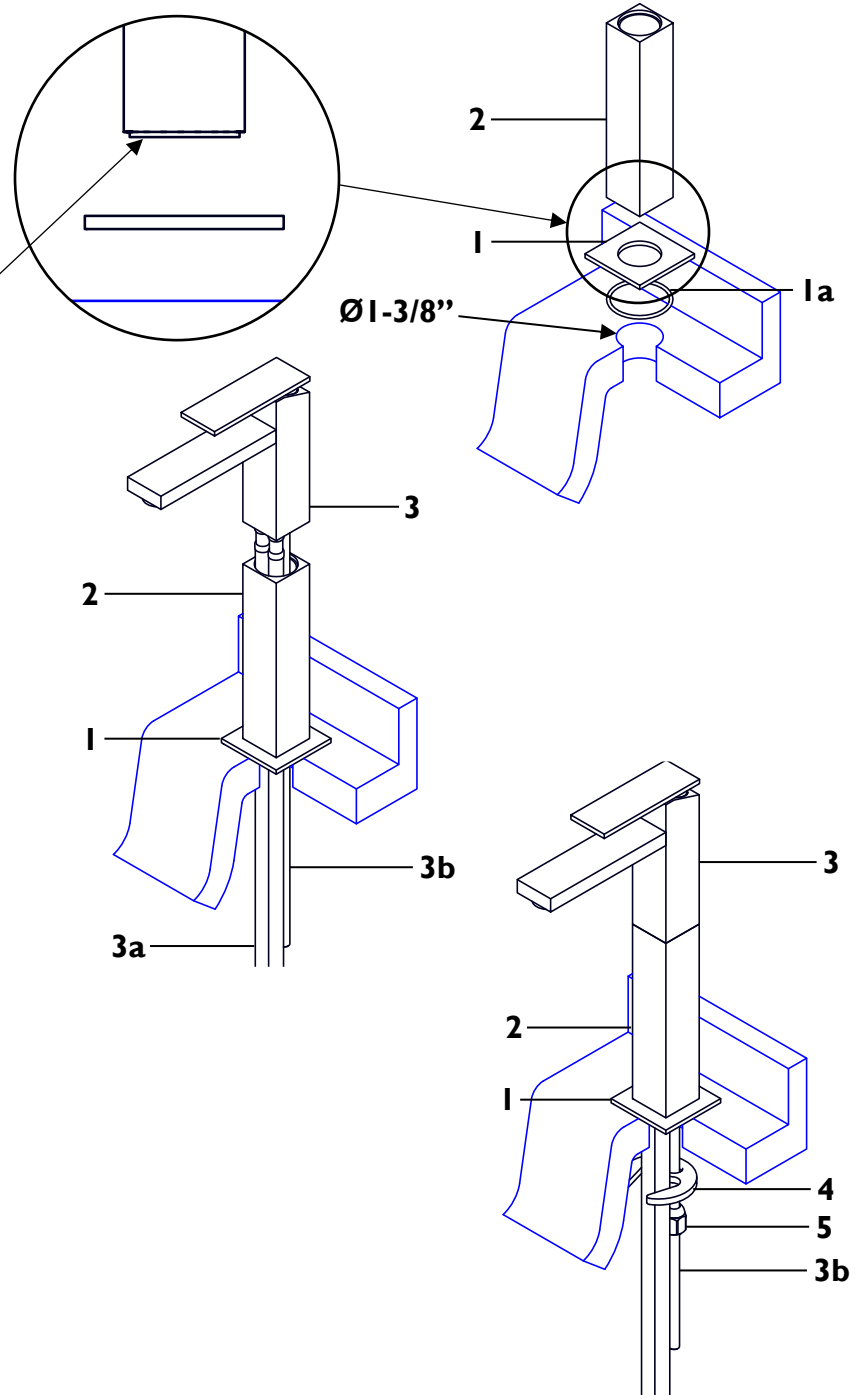
- Place O-RING (1a) into BASE RING (1) and center BASE RING (1) over sink/deck through-hole

NOTE: Sink/deck recommended hole size is $\varnothing 1-3/8''$

- Fit RISER (2) into BASE RING (1)

IMPORTANT: Smaller diameter section of RISER (2) fits into BASE RING (1)

- Insert FLEX HOSE (3a) (one at a time) and THREADED ROD (3b) through BASE RING (1), RISER (2), and sink/deck through-hole
- Place BODY (3) on top of RISER (2)
- From underside of sink/deck place MOUNTING BRACKET (4) and NUT (5) onto THREADED ROD (3b)
- Tighten NUT (5) until BODY (3), RISER (2), and BASE RING (1) are secure to sink/deck



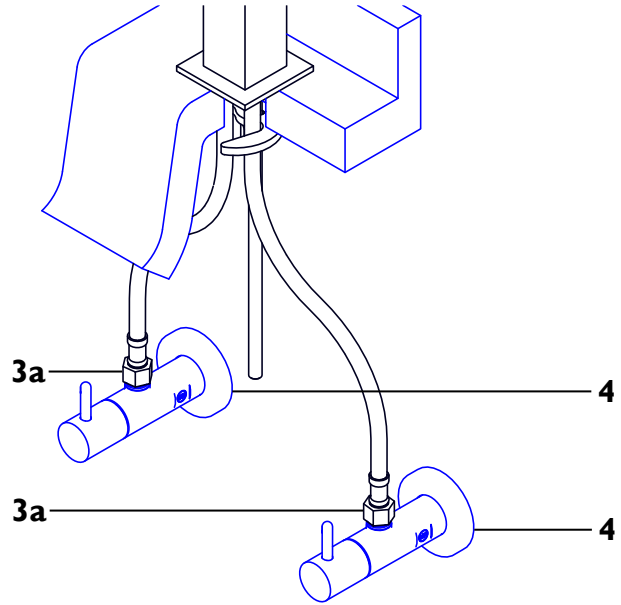
2

SUPPLY CONNECTIONS

- Connect blue colored FLEX HOSE (3a) to cold SUPPLY VALVE (6) and red colored FLEX HOSE (3a) to hot SUPPLY VALVE (6)

IMPORTANT: Flush supply valves prior to installation to prevent damage and malfunction of cartridge

- Turn on cold and hot SUPPLY VALVES (6)
- Slowly open faucet lever and rotate to left and right
- Check all connections for leaks and repair as necessary
- Give these instructions and blue plastic aerator key to consumer for safe keeping



3

REMOVING AERATOR

- Rotate AERATOR SHELL (7) counterclockwise to loosen and remove AERATOR (8), and rubber WASHER (9) from SPOUT (3c)

