

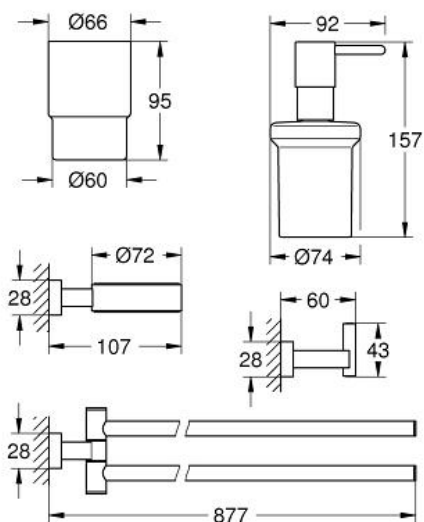
ESSENTIALS CUBE

MODEL # 40847001

Pure Freude an Wasser



GROHE America, Inc | 200 North Gary Avenue, Suite G, Roselle, IL 60172
Phone: +1 (800) 444-7643 | Fax: +1 (800) 225-2778 | us-customerservice@grohe.com



Product Description:

Standard Specification:

- Material: glass/metal
- Soap dispenser with holder (40 756 001)
- Crystal glass with holder (40 755 001)
- Double towel bar (40 624 001)
- Includes robe hook (40 511 001)
- Concealed fastening
- **GROHE StarLight** finish

Color:

- 40847001 chrome