



California Faucets®

7708 & 7808

Roman Tub Installation Instructions

CALIFORNIA FAUCETS RECOMMENDS THAT ALL PLUMBING PRODUCTS BE INSTALLED BY A LICENSED PROFESSIONAL

IMPORTANT: Read all instructions prior to installation and provide copy of instructions to consumer.

Operating Specifications:

Recommended Supply Pressure: 20 to 70 psi †

Maximum Flow Rate: 1.2 gpm

* Operating pressures between hot and cold supplies should vary no more than 30 psi.

† If water pressure exceeds 70 psi, install a Pressure-Reducing Valve (PRV).

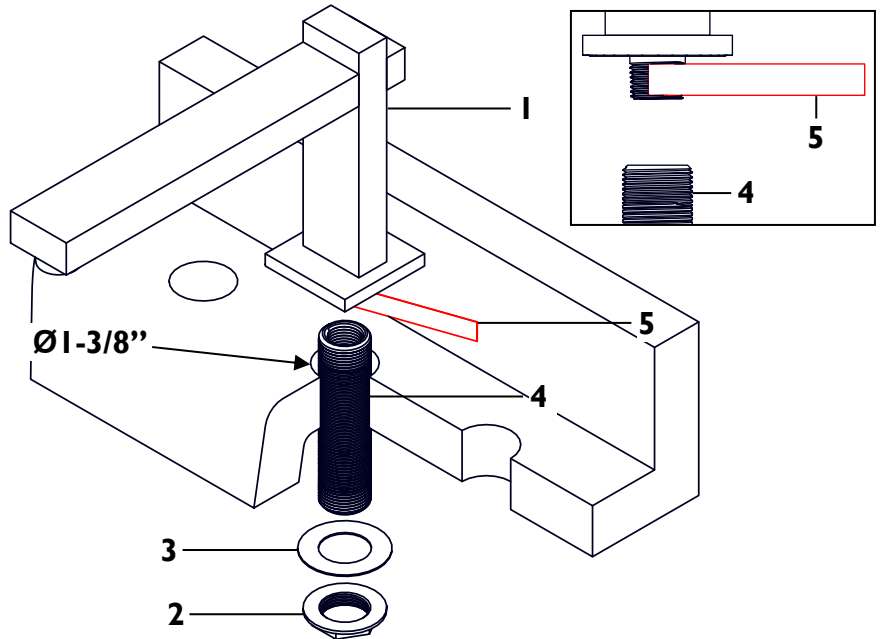
1 INSTALLING SPOUT

- Remove BRASS NUT (2), WASHER (3), and SHANK (4) from SPOUT (1)
- Apply Teflon® tape (5) to threaded portion of SPOUT (1)
- Insert spout SHANK (4) through hole in deck

NOTE: Tub / Deck recommended hole size is $\varnothing 1-3/8''$

- Place WASHER (3), and BRASS NUT (2) onto spout SHANK (5) from below and secure to tub/deck

NOTE FOR 7808: Use cup spacer if needed



2 INSTALLING VALVES

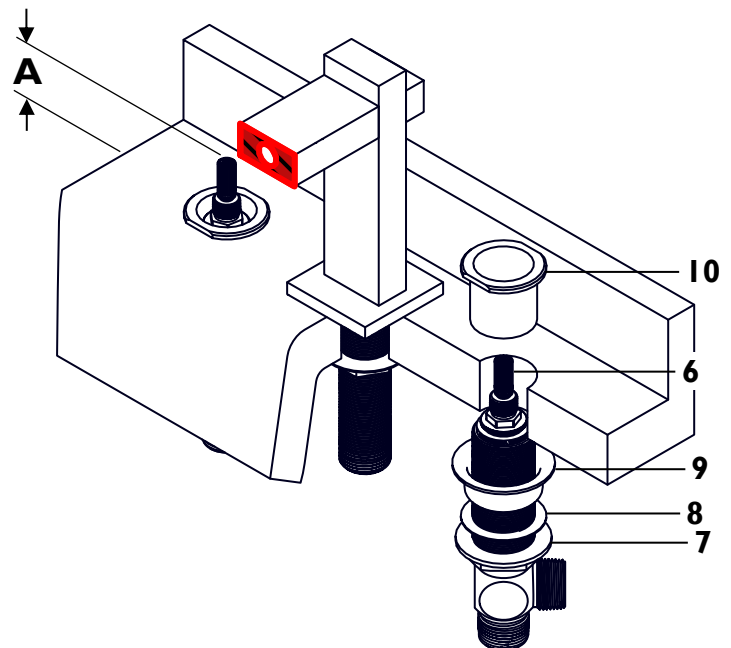
- From underneath insert VALVE (6) through appropriate tub/deck hole

IMPORTANT: VALVES (6) are labeled as follows:
BLUE is **COLD** left turning (counterclockwise) closed
RED is **HOT** right-turning (clockwise) closed

- Position flange NUT (7), WASHER (8), and CUP SPACER (9) (if necessary) so that VALVE (6) extends above tub/deck surface according to table

Series	A
77	1-5/16"
78	1-5/16"

- Secure VALVE (6) with INVERTED NUT (10)



3 INSTALLING HANDLE

- Place handle BASE (11) onto VALVE (6)

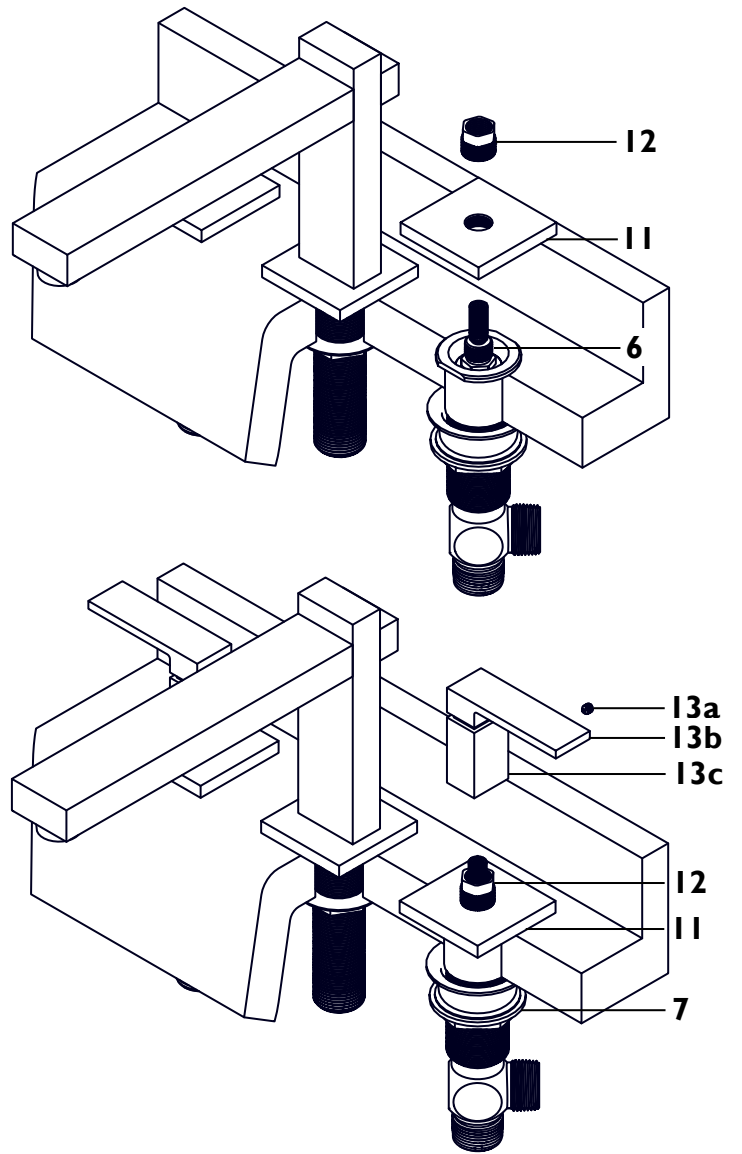
NOTE: Use a ruler or straight edge to align spout and handle bases

- Secure handle BASE (11) to tub/deck with lock NUT (12)
- Loosen SETSCREW (13a) from HANDLE (13)

IMPORTANT: Align handle BLADE (13b) with wider portion of handle POST (13c)

- Slide HANDLE (13) down onto and engage valve STEM (6a)
- Handle POST (13c) shall completely cover lock NUT (12) and seat against handle BASE (11)
- Secure handle POST (13c) with SETSCREW (13a) and rotate handle BLADE (13b) to check operation, open position is when BLADE is rotated forward

IMPORTANT: To obtain proper alignment it may be necessary to rotate VALVE (6) so that HANDLE (13) is aligned to desired orientation. Lock NUT (12) and flange NUT (7) must be loosened before rotating VALVE (6)



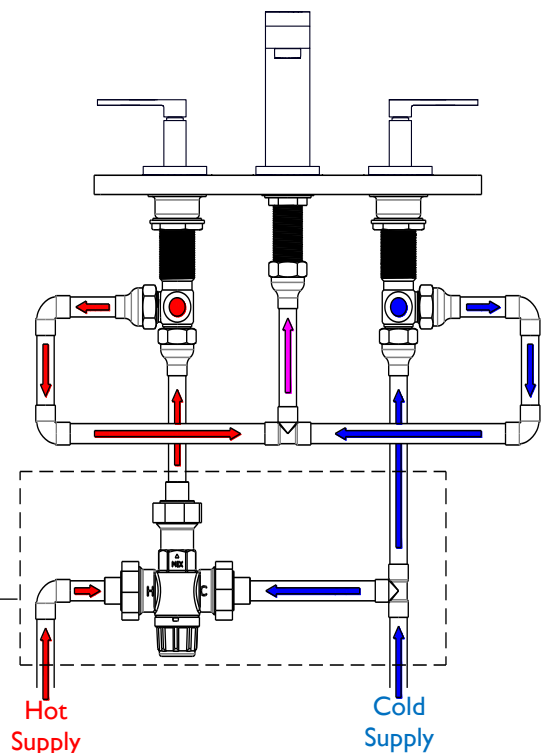
4 INSTALLING SUPPLY LINES

- Must use rigid copper piping (not flex) for all connections between spout and valves
- California Faucets recommends that all installation types have access panel(s) to allow for maintenance and/or service

Disclaimer: To conform to local codes and/or ordinances, it may be required that California Faucets Roman Tub sets be installed in conjunction with an ASSE 1070 approved tempering valve or equivalent (not included) to reduce hot water supply to a safe temperature.

Important: the INSTALLER is responsible to check local codes and/or ordinances, to confirm and verify proper maximum hot water temperature settings for all products installed

Warning: Water temperatures in excess of 110° F (43°C) are dangerous and may cause severe scalding and injury



Typical installation of ASSE 1070 tempering valve (follow tempering valve instructions)