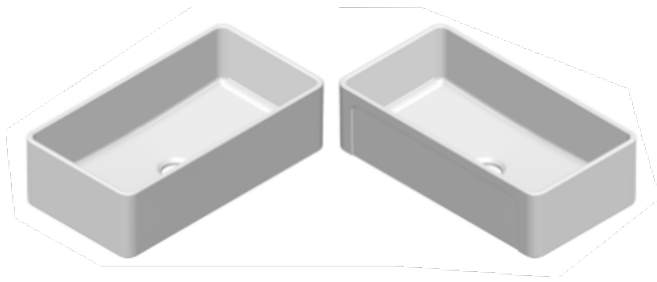


SPECIFICATION SUBMITTAL



**Kitchen Series**

LTW3619W

Farmhouse Kitchen Sink

**Finishes**

	LTW3619W
White	X

**Features**

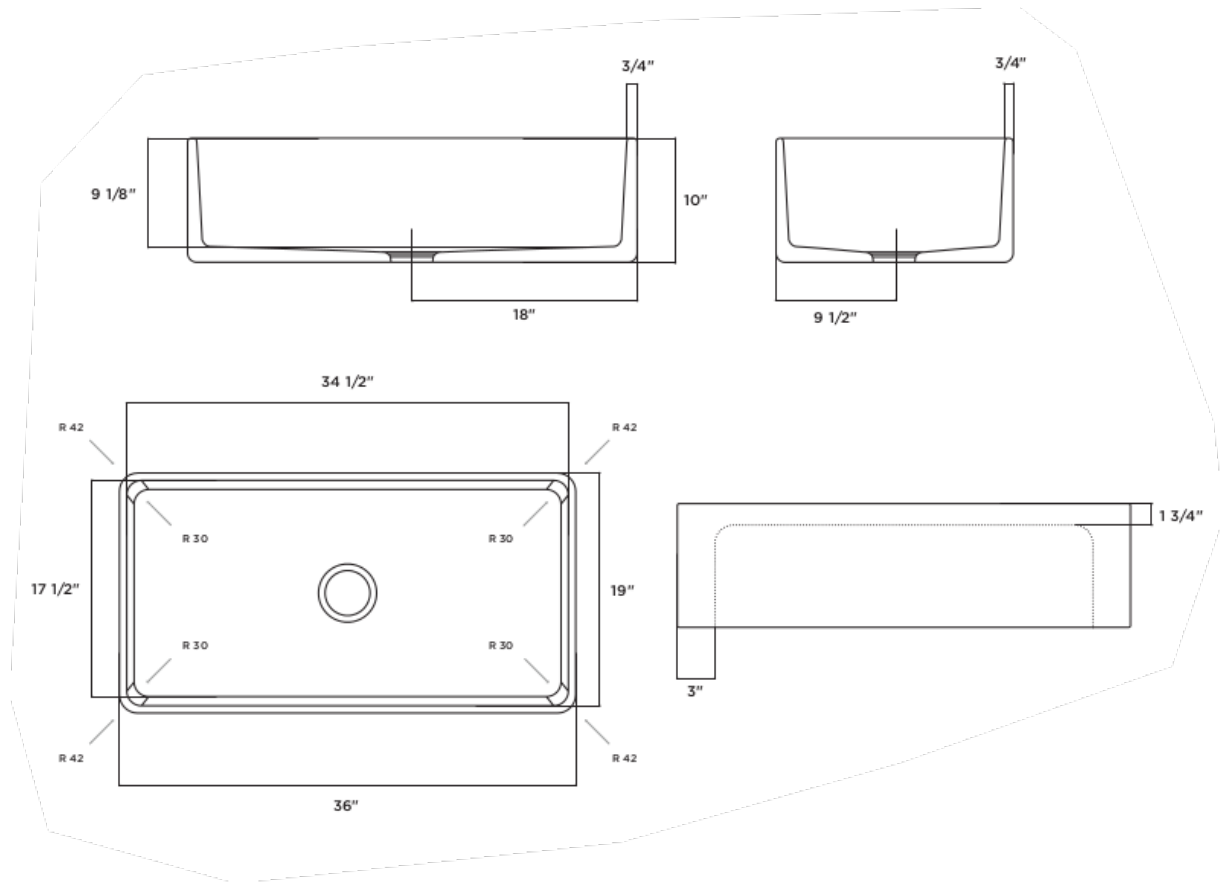
	LTW3619W
Reversible design	X
Fireclay material	X
White finish	X
Standard 3 1/2" drain opening	X
Compatible with waste disposal units	X
No extended flange needed	X
No overflow	X
3 year warranty	X

1-866-668-6690  
1571 MAIN RD  
NEWFIELD, NJ 08344

[www.paini-usa.com](http://www.paini-usa.com)



# LTW3619W



Farmhouse Reversible Fireclay Sink

36" x 19" x 10"