



## Shaws Original Single-Bowl Fireclay Apron Sink

Kitchen Sink Fireclay

### RC3018

#### FEATURES

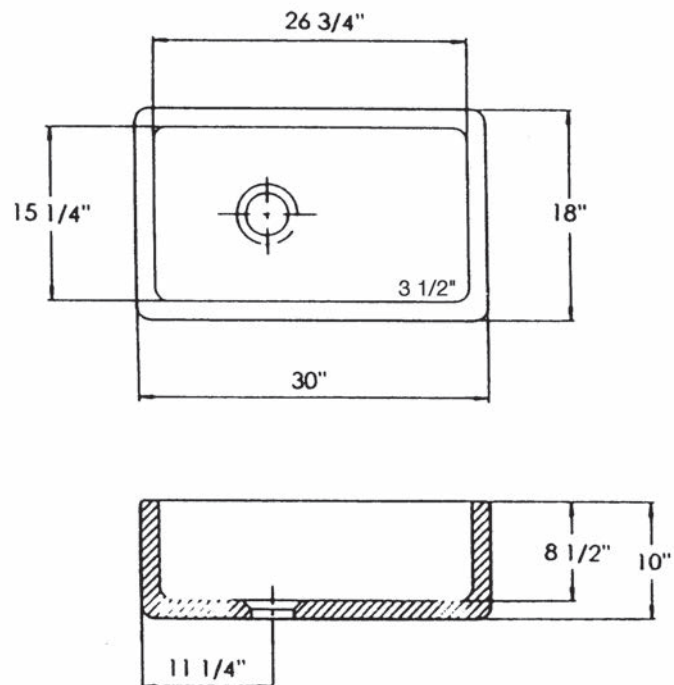
- Acid and alkali resistant glazed surfaces
- Designed to withstand heavy use
- No overflow
- Suitable for waste disposal units or basket strainer waste
- Offset drain opening
- Sink measures 30" x 18"
- Standard 3 1/2" drain opening
- Due to  $\pm 2\%$  dimensions, it is recommended that the cabinet maker wait until your sink is delivered to make the cabinet
- No template available
- Weight 161 lbs.
- We receive 80-90% of sinks with the drain on the left and the badge on the back. Right hand sinks are sent out randomly.
- Includes "Shaw Original" badge
- 33" minimum cabinet size
- NOTE: Due to sink thickness, ISE-type Disposal with Extended Flange #ISE10082 or ROHL 733 Basket Strainer is recommended

#### Colors

- White
- Parchment

#### WARRANTY

- 1 year on manufacturing defects
- 10 years on fading/staining



## Suggested Installation Tips for your new Shaws Original Apron Front Sink



1. Dimensions are plus or minus 2%: Inspect your sink. No two sinks are alike and you should inspect your sink upon delivery. The sides and top of the sink should be square within the 2% tolerance. The bottom of the internal sink bowl is designed flat with a slight graduated drain. Testing the sink for drainage is recommended. Shimming the sink may be needed to drain properly.
2. The installation should be for new construction only. The cabinet design requires reinforcing to hold a 190 lb. sink and water. A 3/4" plywood deck or a frame support are common. Give consideration for shimming.



3. The most common installation design is undermounted below the solid surface. Using the sink to be installed, measure where to install the support frame. (Fig.1) Shimming may be necessary to move the sink up to the solid surface or to make the sink drain properly. A reveal of 1" to 2" inches is common. (Fig. 2)



(Fig. 1)



(Fig. 2)

4. Design the sink counter top to leave room for the installation of faucets and accessories.



5. Design the cabinet frame separately from the cabinet fascia. The support frame or base should be designed to support the sink on the sides and the back. The cabinet trim that frames the sink can then be custom fit around the corners.