



California Faucets®

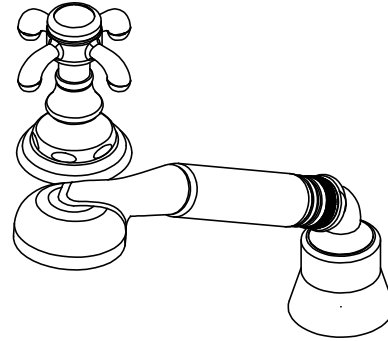
Humboldt™

ROMAN TUB HANDSHOWER & DIVERTER TRIM

TO-67.15.20

Features

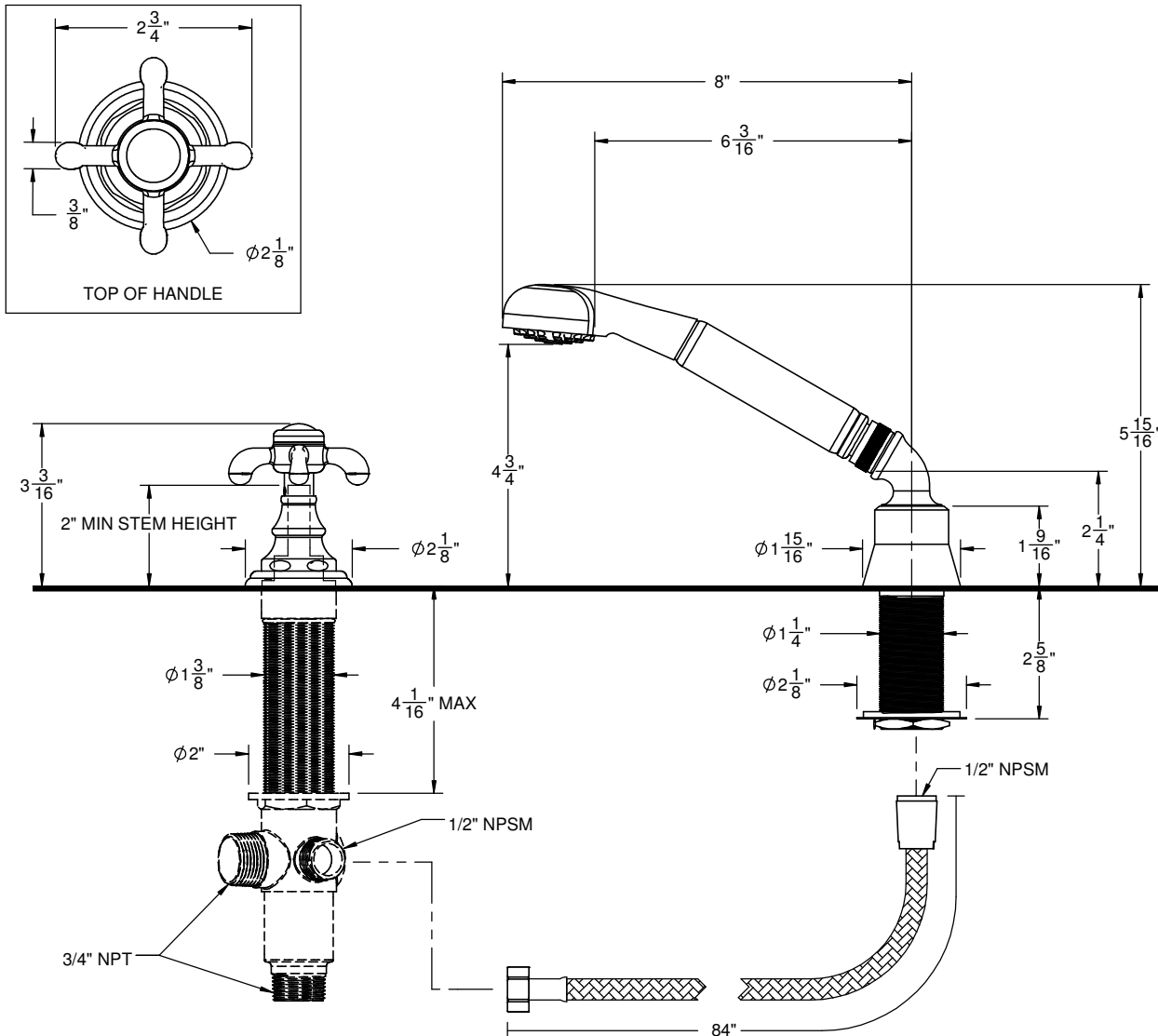
- Max flow rate: 2.0 gpm (7.6 L/m)
- Handshower: 1/2" MIP inlet with self-clean rubber jets
- Handshower elbow: 1/2" FIP swivel nut with 1/2" MIP inlet
- Hose: 84" black poly braided hose. Provides durable, quiet & no damage to trim finish during operation
- Diverter valve (DDV-R) sold separately
- Solid brass construction
- Over 30 finishes including 15 PVD finishes



Codes/Standards

Product meets or exceeds the following:

- ASME A112.18.1/CSA B125.1
- CEC/DOE
- Commonwealth of MA



THROUGH-HOLE SPECIFICATIONS		
	MIN	RECOMMENDED
SHOWER:	$\phi 1-1/4$ "	$\phi 1-1/4$ "
VALVE:	$\phi 1-7/16$ "	$\phi 1-1/2$ "