

FVN62-3012-VSL

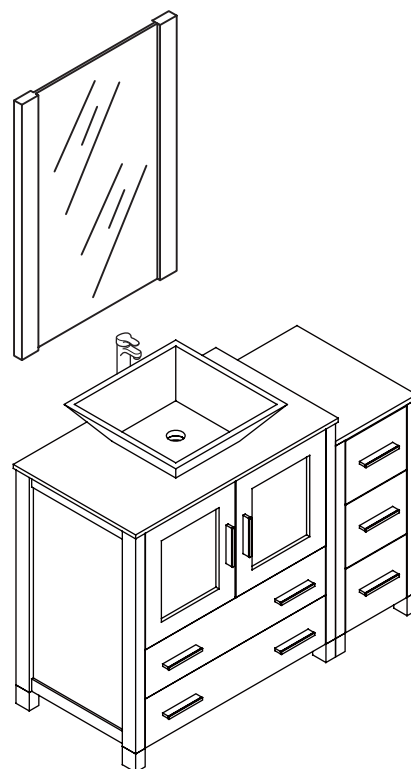
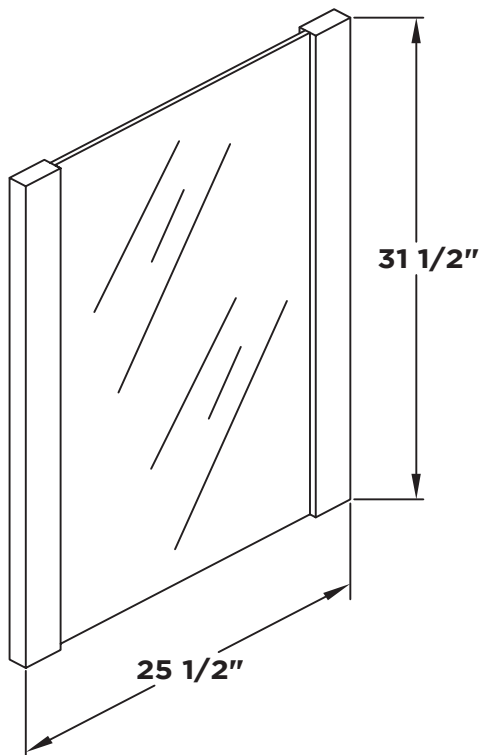
TORINO

INSTALLATION GUIDE

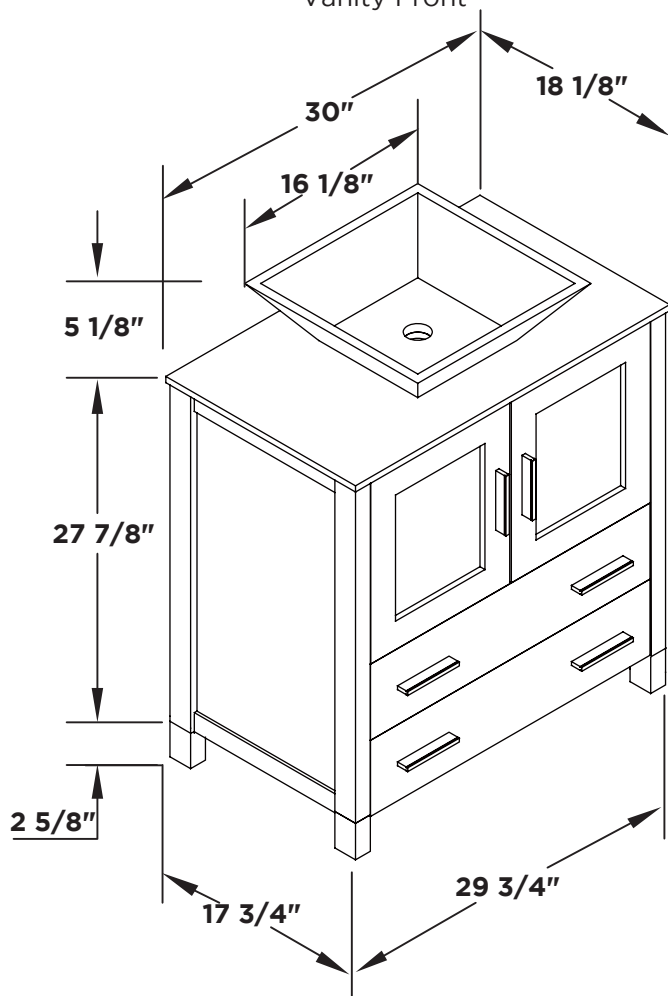


FRESCA

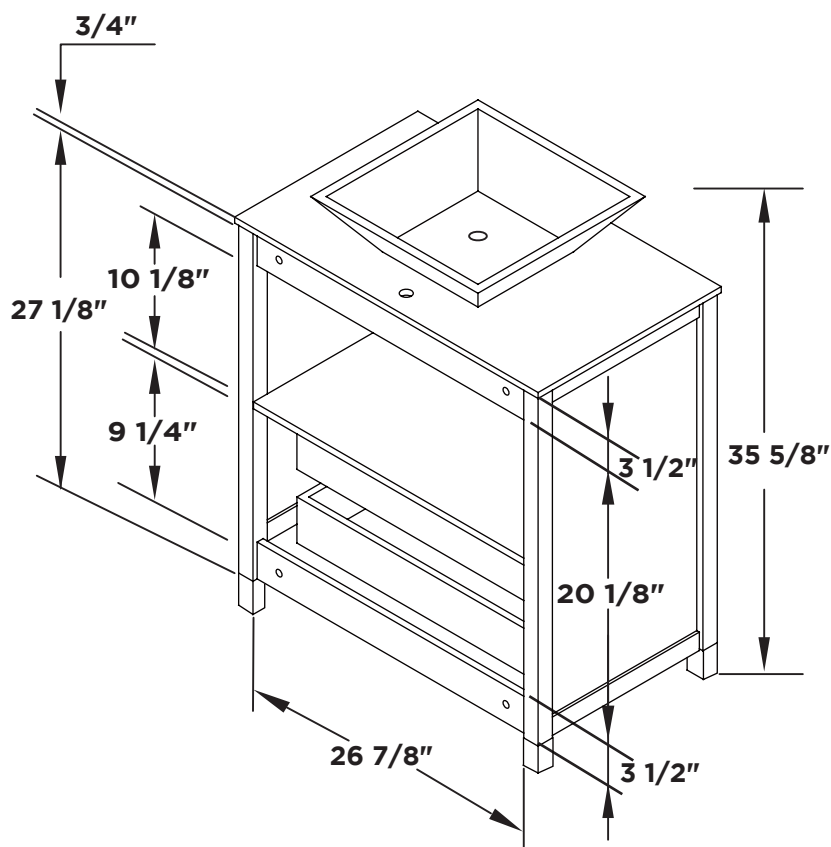
Mirror



Vanity Front



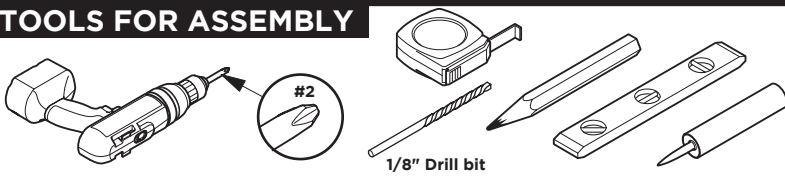
Vanity Back



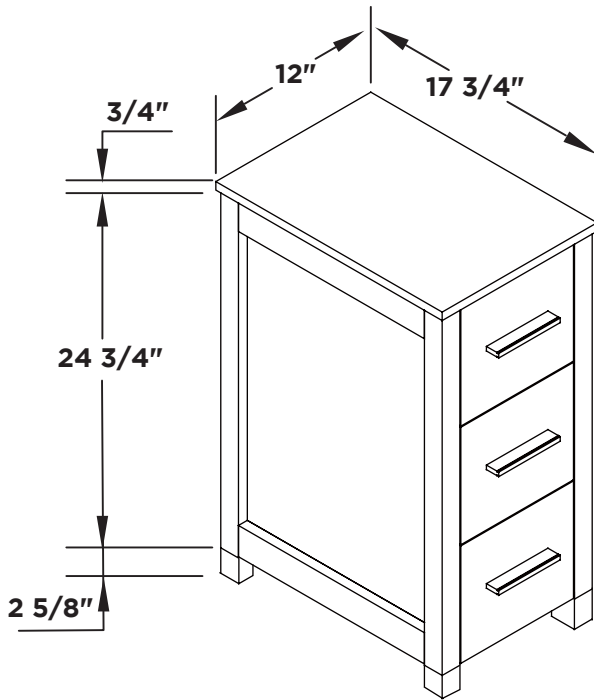
TORINO INSTALLATION GUIDE

PAGE 1

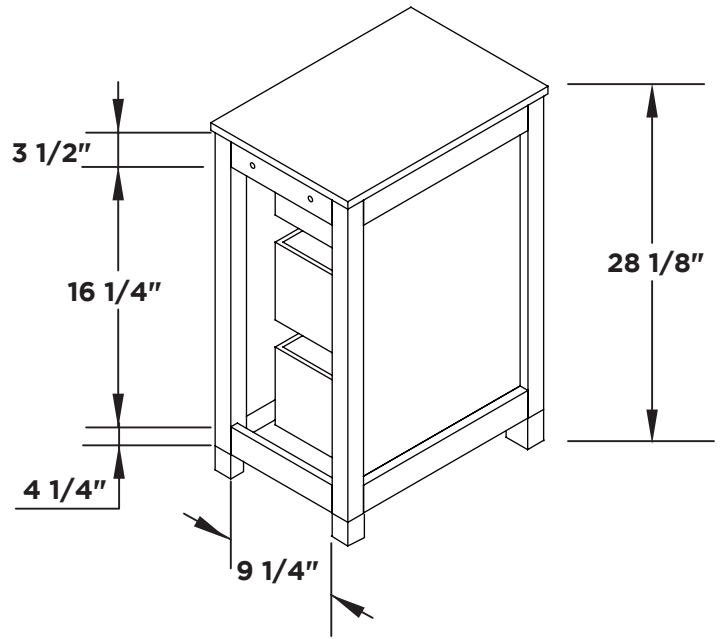
TOOLS FOR ASSEMBLY



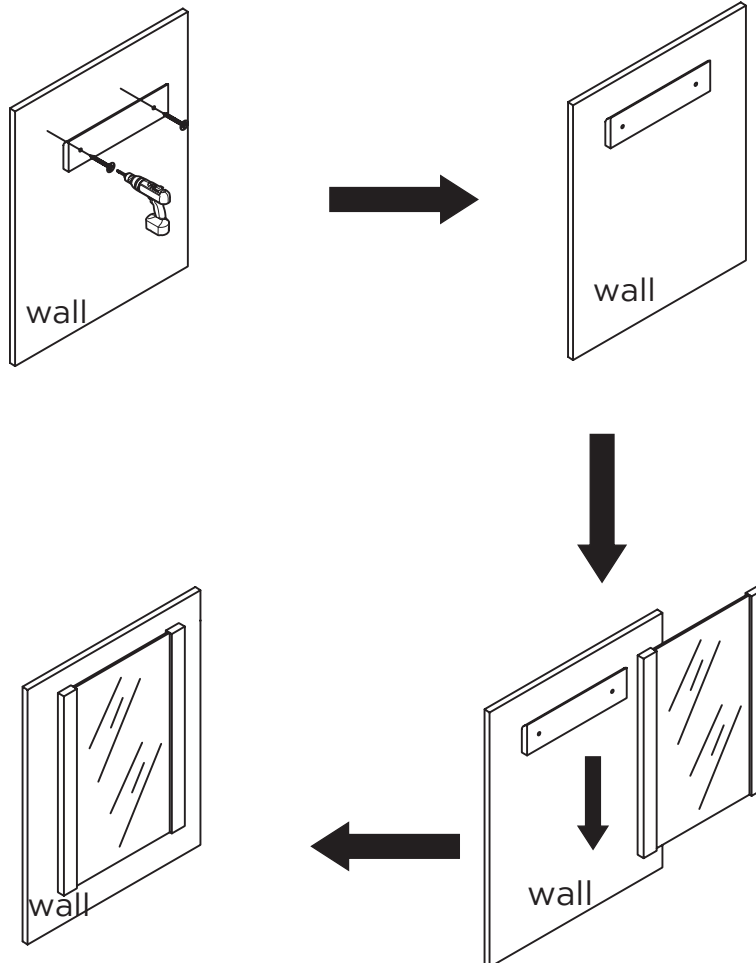
Side Cabinet Front



Side Cabinet Back

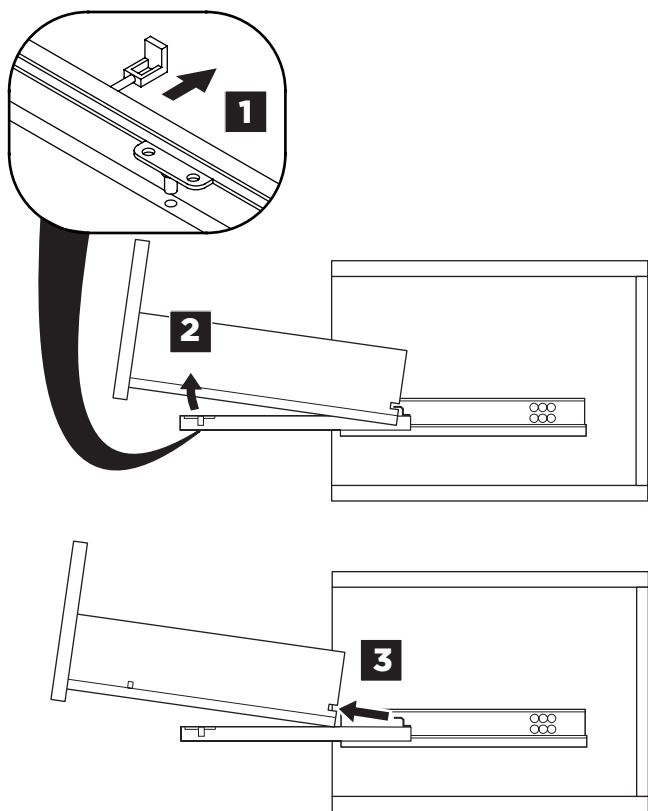


MIRROR INSTALLATION

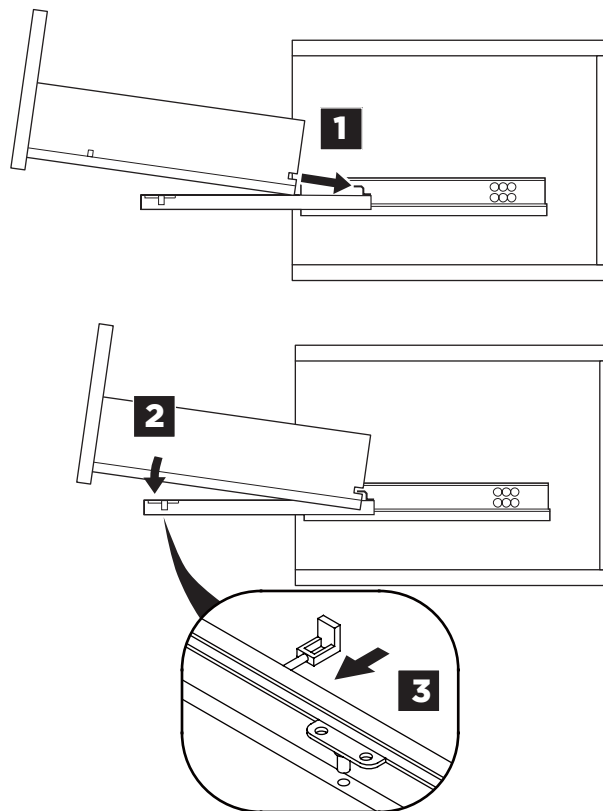


DRAWER REMOVAL & INSTALLATION

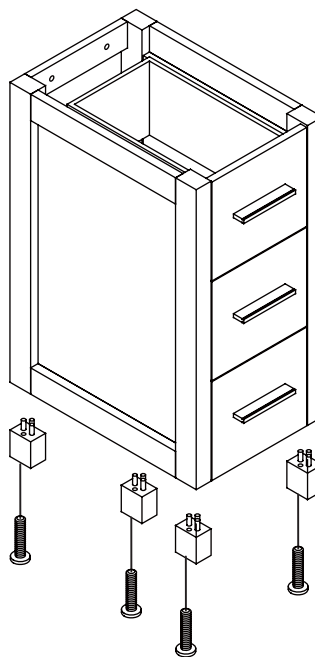
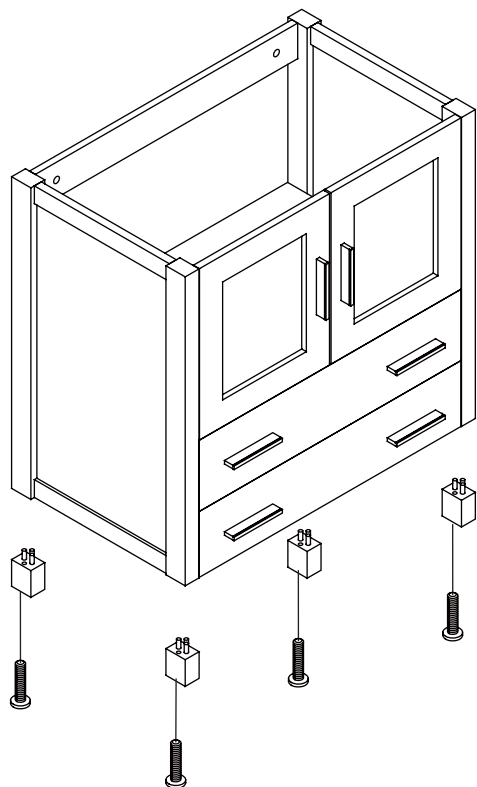
REMOVAL



INSTALLATION



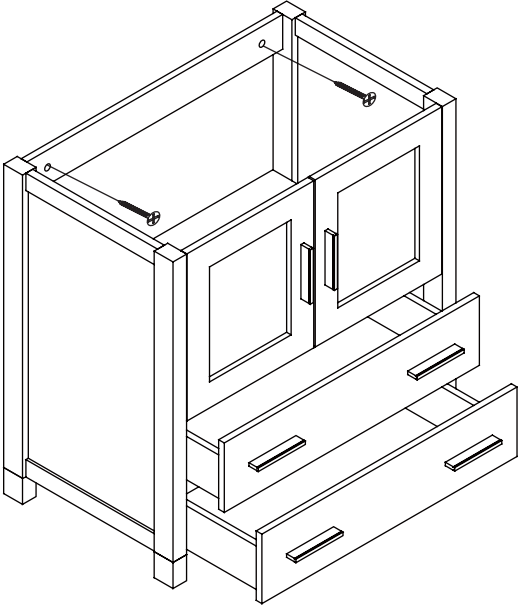
1 Install leg



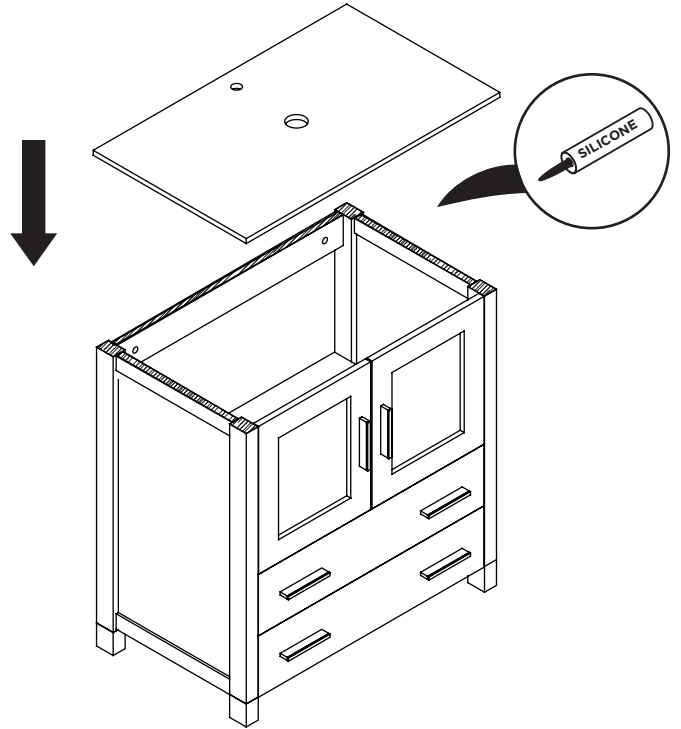
2 Remove drawer

3 Install cabinet

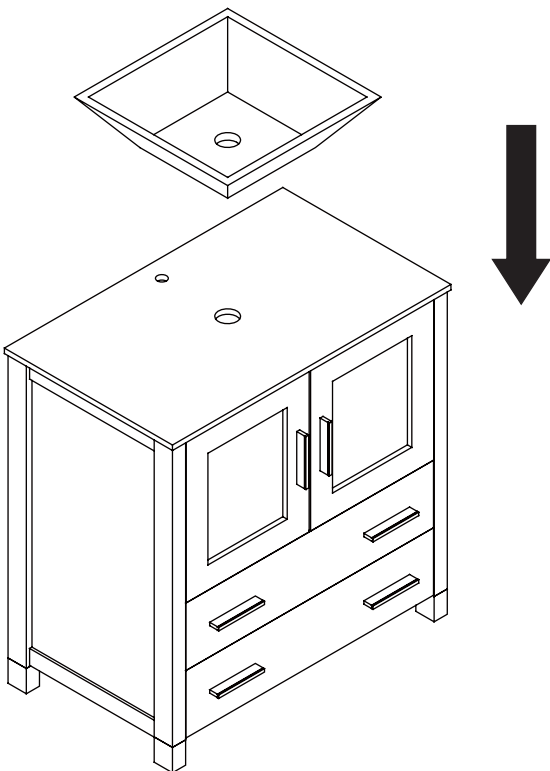
IMPORTANT: Consult an expert for the proper screws/bolts to use when attaching to various wall constructions. Screws provided do not attach to all wall construction types.



4 Install top panel

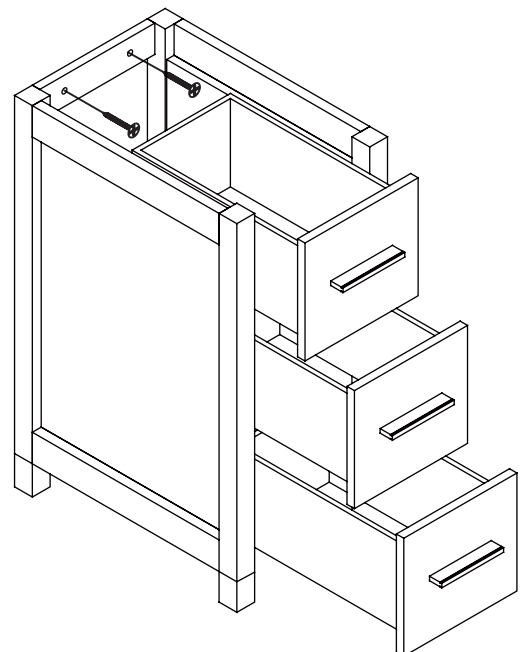


5 Install sink



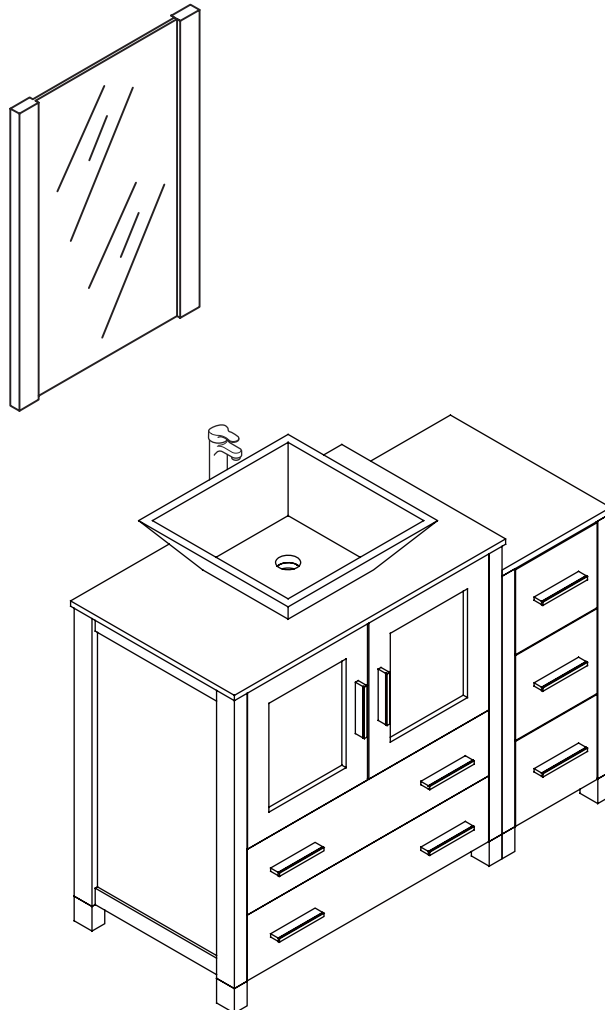
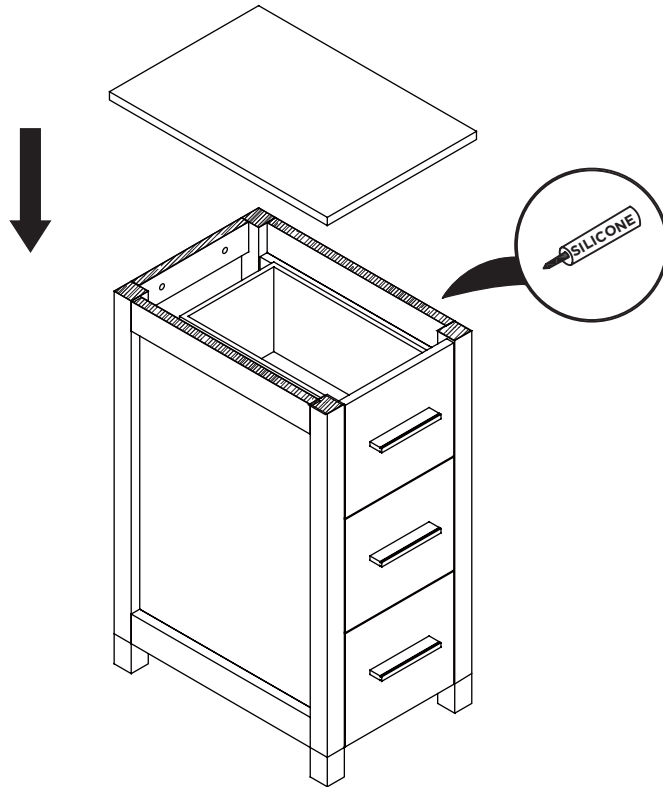
6 Remove side cabinet drawer

7 Install side cabinet

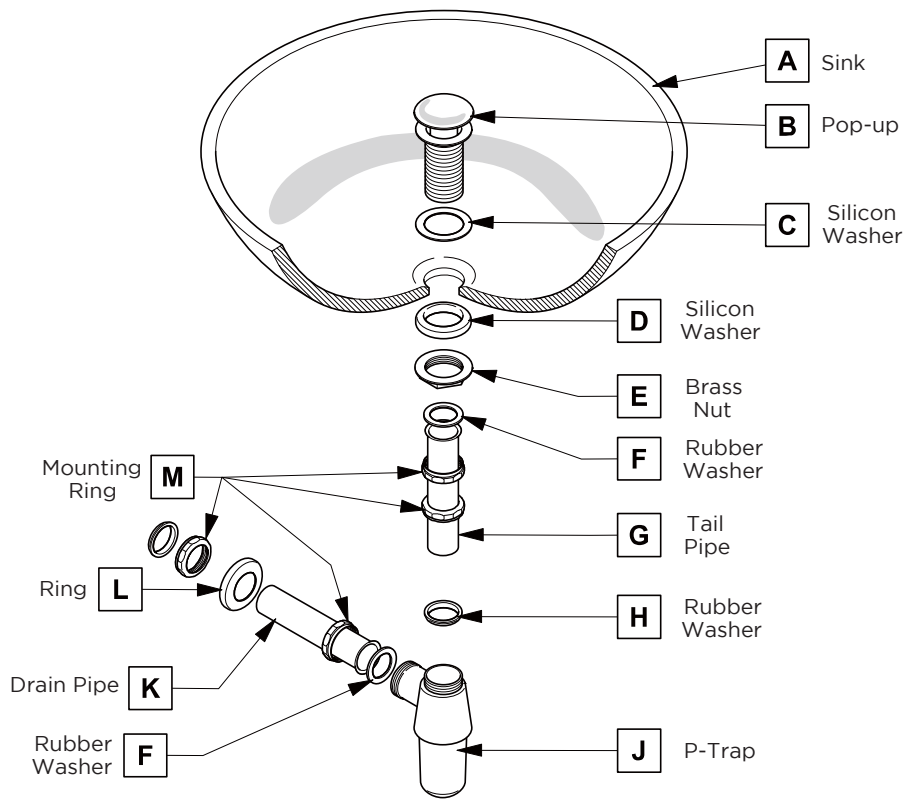


8

Install side cabinet top panel

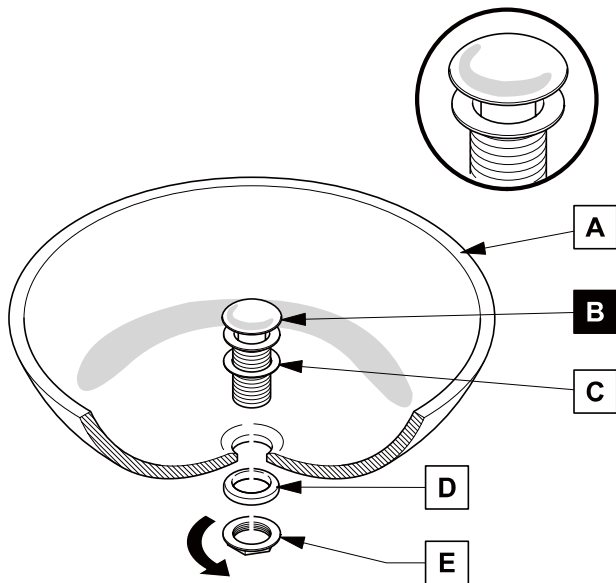


P-TRAP AND POP-UP INSTALLATION INSTRUCTIONS



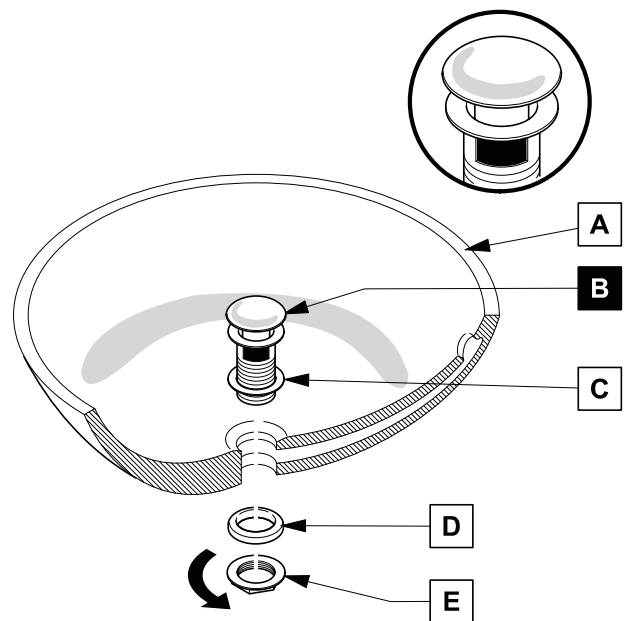
POP-UP INSTALLATION

FOR SINKS WITHOUT OVERFLOW



OR

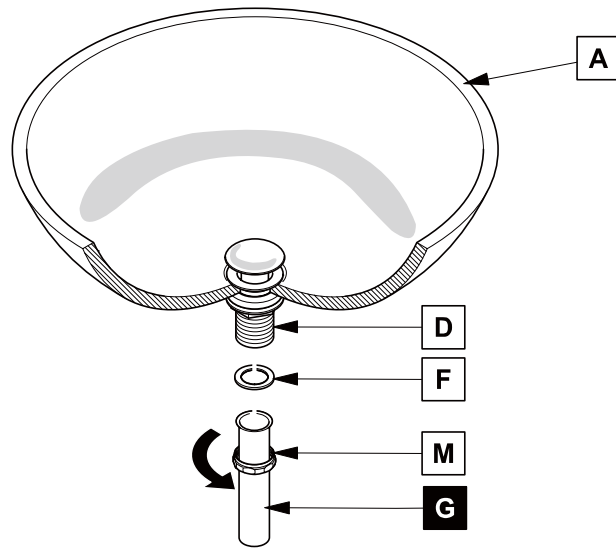
FOR SINKS WITH OVERFLOW



P-TRAP INSTALLATION

1

Install tail pipe (G)



2

Install p-trap (J)

