



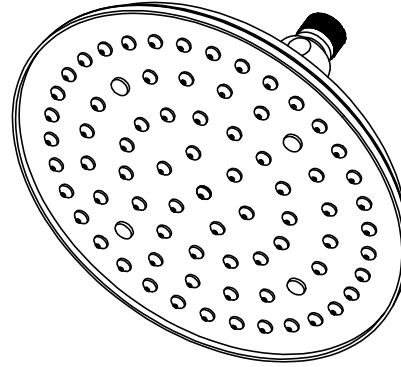
California Faucets®

# Showerhead

9-3/16" 72 JET

## Features

- 1/2" FIP inlet
- Brass construction
- 9-3/16" diameter
- Self-cleaning rubber jets
- Replace .FR with desired max flow rate:  
SH-76.25 for 2.5 gpm  
SH-76.20 for 2.0 gpm



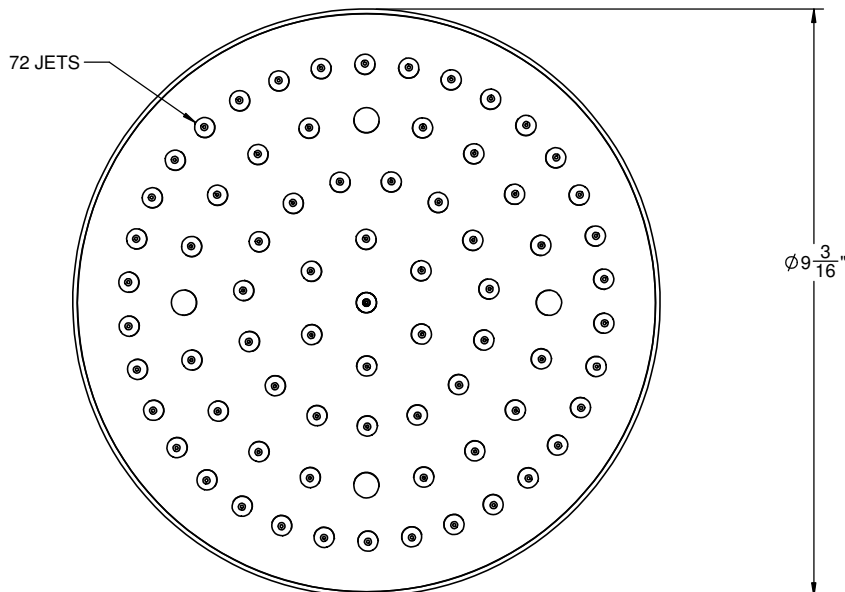
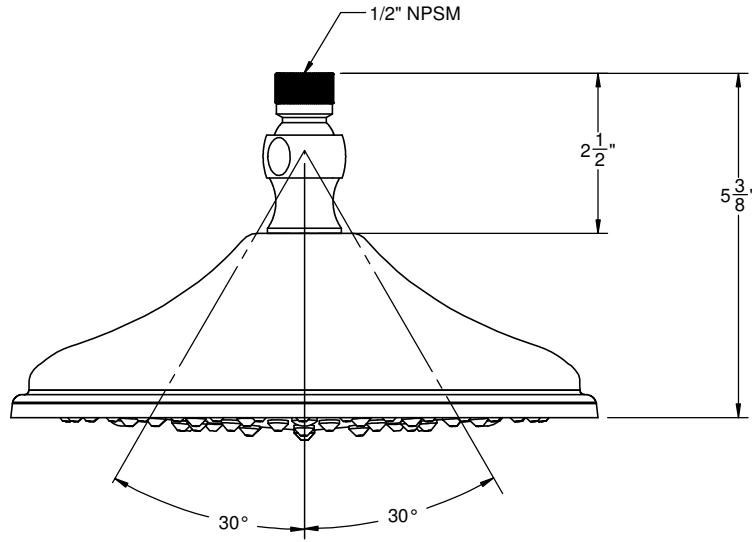
SH-76.25  
SH-76.20  
SH-76  
WE-SH-76



## Codes/Standards Applicable

Product meets or exceeds the following:

- ASME A112.18.1/CSA B125.1
- CEC (2.0 gpm)



ALL DIMENSIONS SHOWN TO NEAREST 1/16"