



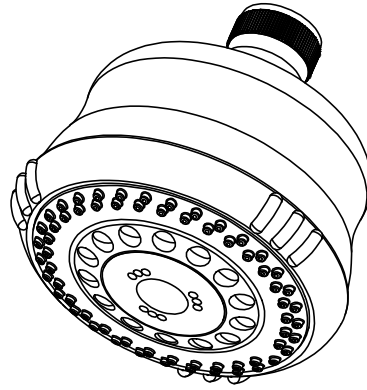
California Faucets®

Showerhead

3-5/8" TRADITIONAL MULT-FUNCTION

Features

- 1/2" FIP inlet
- Brass construction
- 3-5/8" diameter
- Replace .FR with desired max flow rate:
SH-07.25 for 2.5 gpm
SH-07.20 for 2.0 gpm

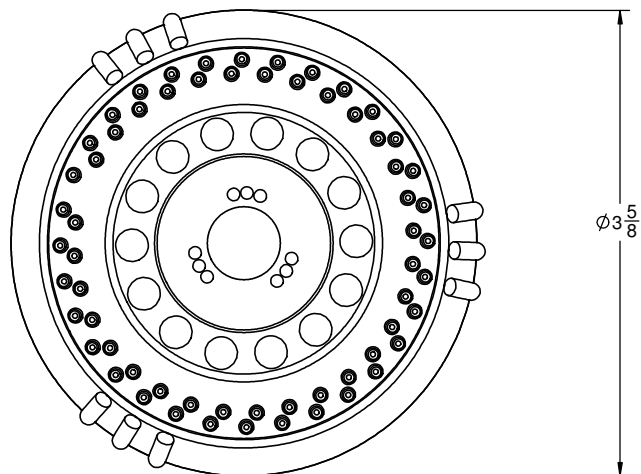
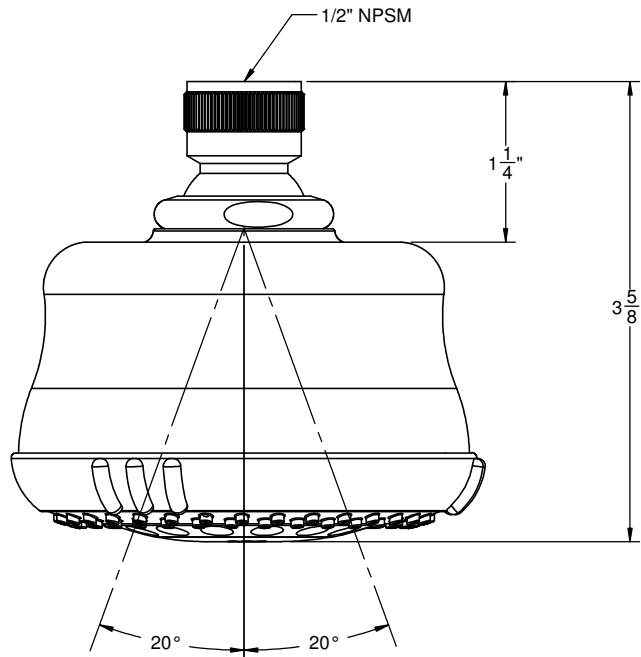


SH-07.25
SH-07.20
SH-07
WE-SH-07



Codes/Standards Applicable

- Product meets or exceeds the following:
- ASME A112.18.1/CSA B125.1
 - CEC (2.0 gpm)



ALL DIMENSIONS SHOWN TO NEAREST 1/16"