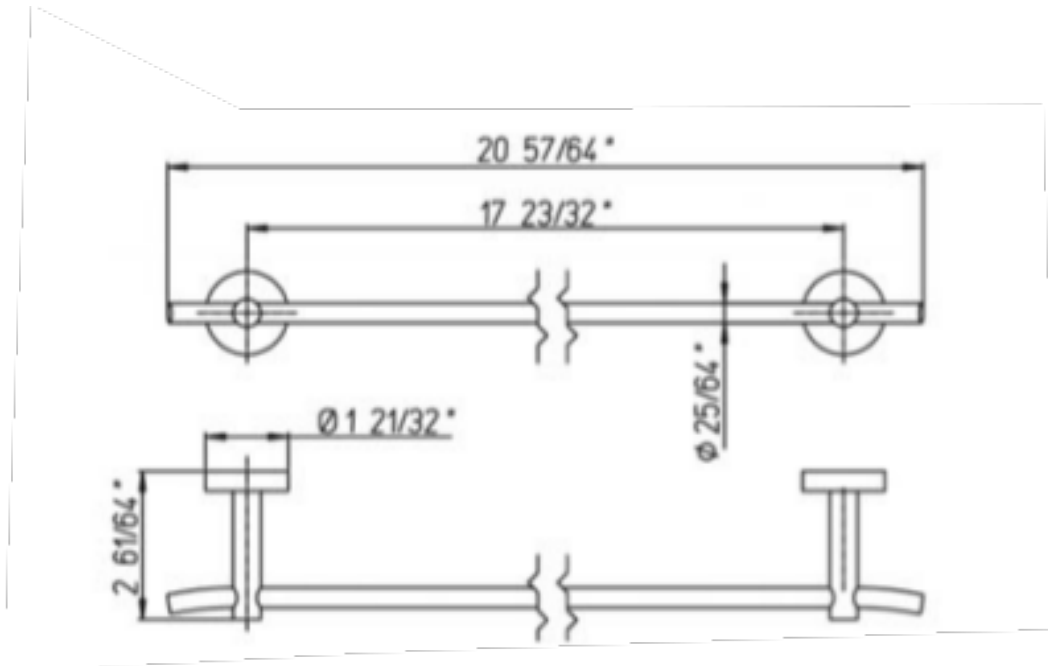


AT03-18



Atlanta 18" Towel Bar



Bath / Accessories

AT03-18

Atlanta 18" Towel Bar

STANDARDS

- Compliant with ASME A112.18.1-B125.1
- Compliant with AB1953
- Compliant with ANSI NSF61 – Annex G
- Certified by CSA International
- Compliant with ANSI A117.1

Finishes

	ATCR03-18	ATPW03-18
Polished Chrome	X	
Brushed Nickel		X

Features

	ATCR03-18	ATPW03-18
Solid Brass Construction	X	X
Step-By-Step Installation Instructions	X	X