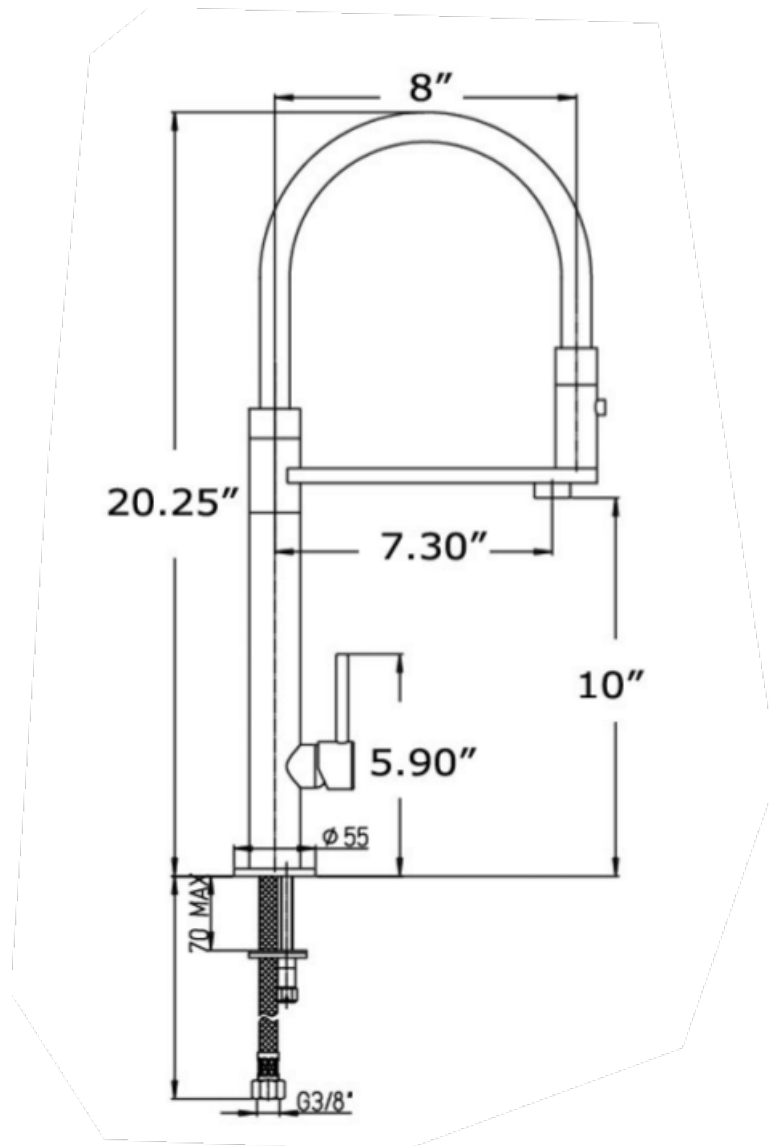


# 78-559YOSS



Single handle pull-out spray  
kitchen faucet



## Kitchen series

### 78-559YOSS

Pullout kitchen, Contemporary Styling

## STANDARDS

- Compliant with ASME A112.18.1-B125.1
- Compliant with AB1953
- Compliant with ANSI NSF61 – Annex G
- Certified by CSA International
- Compliant with ANSI A117.1

### **Finishes**

	78CR559YOSS	78PW559YOSS
Polished Chrome	X	
Brushed Nickel		X

### **Features**

	78CR559YOSS	78PW559YOSS
Solid Brass Construction	X	X
Single Control Ceramic Disc Valve	X	X
Meets NSF 61/9 Annex G Lead Requirements	X	X
ADA Compliant	X	X
Step-By-Step Installation Instructions	X	X
Limited Lifetime Warranty	X	X
1.75 GPM	X	X

1-866-668-6690  
 1571 MAIN RD  
 NEWFIELD, NJ 08344

[www.paini-usa.com](http://www.paini-usa.com)