



Modena

PLMDN6730

67" L x 30" W x 21⁵/₈" H

 Made in Italy

Freestanding solid-surface Lapistone™ bathtub
Streamlined, high-profile one-piece design
Includes polished chrome waste and slot overflow
Tailpiece is not included

Material	Lapistone™
Color/Finish	White Satin
Slope of Backrest	100°
Water Depth	15 ³ / ₈ "
Capacity	81G
Weight	301lbs (136.5kg)
Shipping Weight	400lbs (181.5kg)
Warranty	5 Year Warranty for Residential Use

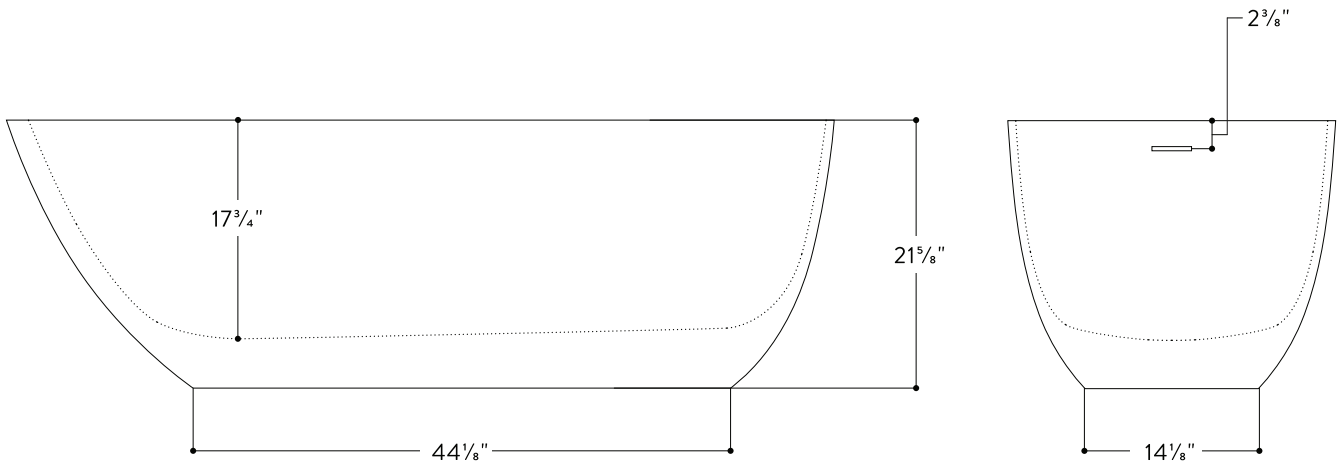
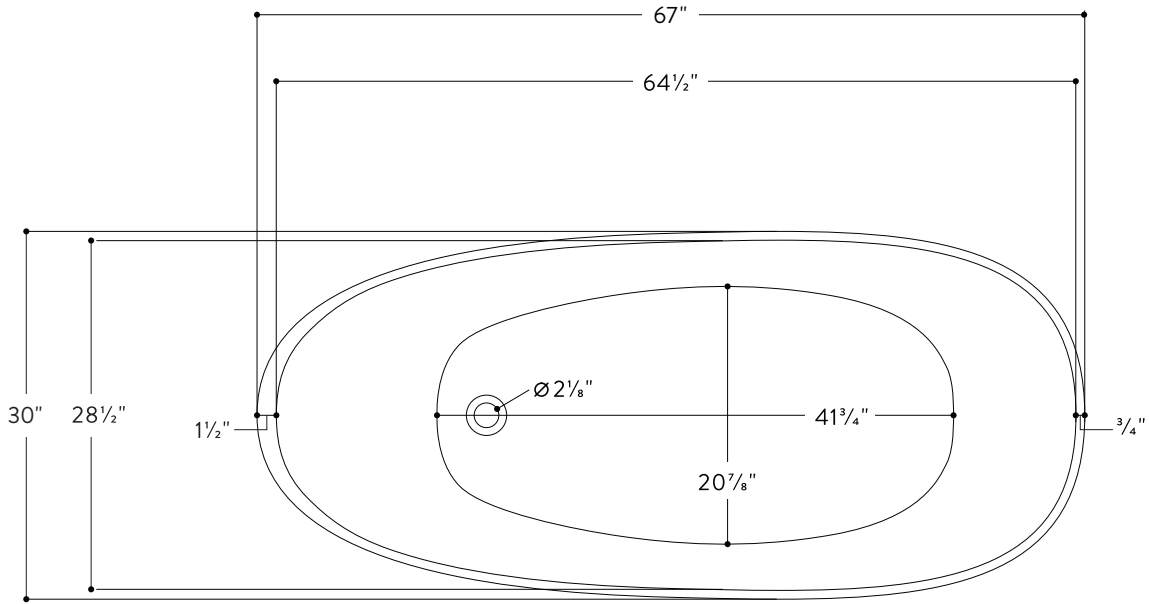
Lapistone™ is a highly-durable molded stone composite with a luxurious velvety texture. Its non-porous composition makes it exceptionally strong as well as naturally hygienic and stain-resistant. Lapistone™ is recyclable and eco-friendly, requiring less energy in its production than ceramic, and its superior high-heat retention properties help reduce water usage. The satiny color is consistent throughout its solid thickness, not painted on, making it easy to repair and maintain.

Codes/Standards Applicable:
Meets or exceeds ANSI/ASME standard Z124.1.2 and
CAN/CSA B 45 requirements
IAPMO/UPC/cUPC



Install this product according to the installation guide. Floor support under bath must provide for a minimum of 995lbs (451kg). Installation may vary. Our products must be installed by certified professionals only and according to our installation guide, as well as federal, provincial/state and local building codes and regulations.

All measurements are approximate and for comparison only. Please note that these dimensions and specifications are subject to change without notice.



All measurements are approximate and for comparison only. Please note that these dimensions and specifications are subject to change without notice.