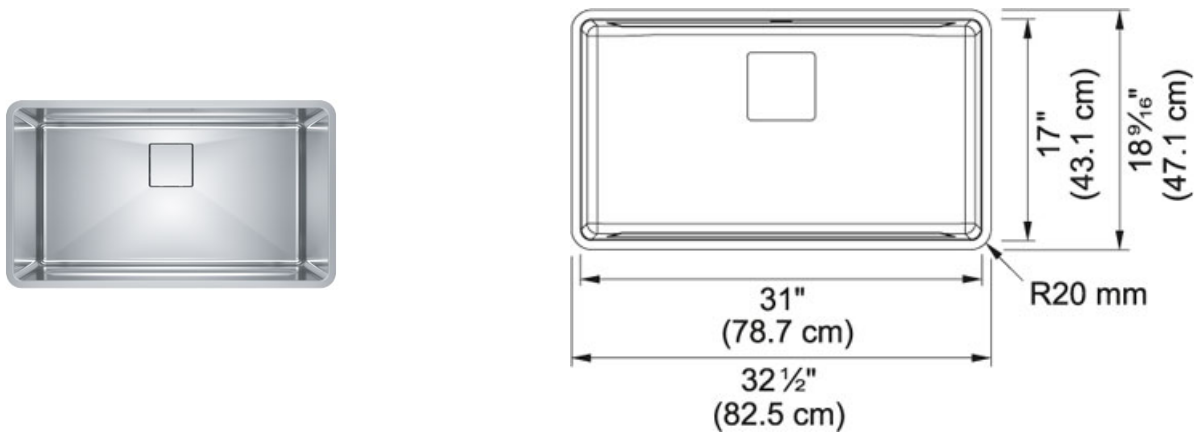


Stainless Steel | 122.0491.567

FAMILY : Sinks | SERIE : Pescara | FINISH : Stainless Steel | INSTALLATION TYPE : Undermount | MODEL : PTX110-31



Pescara delivers timeless appeal by evoking Italian traditions and artisan culture. The essential lines and generous dimensions create a refined oasis and luxurious atmosphere, for the ultimate livable kitchen.

A complete selection of accessories maximizes the efficiency of the Pescara sink with the same level of detail and quality Franke is known for.

TECHNICAL DATA

| | |
|-----------------------|----------|
| Cut-Out Template | Yes |
| Depth Overall | 9 1/2" |
| Franke Integral Ledge | BUILT-IN |
| Length of large bowl | 17" |
| Length overall | 18 1/2" |
| Minimum Cabinet Size | 36" |
| Where to buy | Showroom |
| Width of large bowl | 31" |
| Width overall | 32 1/2" |