

OWNER'S MANUAL ROUGE

INSTALLATION • MAINTENANCE
REPAIR • SYSTEM



Produits Neptune
Rouge



ETL CERTIFICATION

Our products and their components have received ETL certification, which attests to their quality and reliability.

Intertek



UPC

Our products have received UPC certification.

CERTIFICATION



ECORESponsable

Our products have been certified ecoresponsible, recognizing Produits Neptune's initiatives towards limiting its environmental footprint.



CONSUMER CHOICE

Produits Neptune is the proud recipient of the 2017 consumer choice award.

Save these instructions for further use.



Table of Content

Thank you for choosing a quality Produits Neptune Rouge product. Your confidence in us is of paramount importance to the success of our company.

You are now the proud owner of a Produits Neptune Rouge bathtub, a premiere product that will provide you with years of pleasure and relaxation if installed and maintained correctly.

Please read the safety, installation and maintenance instructions found in this guide. We highly recommend installing this product with the assistance of a specialist, in accordance to local codes, guidelines and government regulations.

INTRODUCTION

Important safety information	2
Summary of precautions	2
Important information to be conserved	2

INSTALLATION

Tools and Materials.....	2
Bathtub Installation – Preparation	3
Installation (freestanding bathtub 1-piece) and drain.....	3
Installation of podium	3
Installation (freestanding bathtub 2-piece).....	4

MAINTENANCE

Regular cleaning	5
------------------------	---

ACRYLIC REPAIR

Stains	5
Small scratches	5
Major damage repair	5

TROUBLESHOOTING

Problems and solutions	5
------------------------------	---



SYSTEMS


Installation.....	6
Operation.....	7
Troubleshooting	7

WARRANTY

.....	8
-------	---

IMPORTANT SAFETY INFORMATION

-  **CAUTION: Always be prudent when using your bathtub and electrical appliances.**
-  **CAUTION: Risk of injury or material damage.**
Please read all instructions before beginning installation, including the requirements stated below.

Follow all recommendations and plumbing codes.
-  **DANGER: Risk of drowning for children.** To reduce the risk of accidental drowning, do not let children use the bathtub unattended.

SUMMARY OF PRECAUTIONS

- It is strongly recommended that you follow these guidelines:
- Do not operate electrical appliances (telephone, television, radio, hairdryer, etc..) within 1.5 meters (5 ft) of the bathtub.
 - Never leave children unattended in the bathtub.
 - To avoid damaging the finish of the bathtub, do not use abrasive cleaners.
 - The water temperature must not exceed 40° C (104° F). Bathtub water in excess of these temperatures may be hazardous to one's health.
 - It is important to mix essential oils in a glass with water prior to introduction into the bathtub. Improper use could cause damage to the bathtub. Please read the instructions before use.

IMPORTANT INFORMATION

Note: Always keep your original receipt

Date of purchase: _____ Name of the retailer: _____

Description of the bathtub: _____

Serial number and model name on the Produits Neptune Rouge logo: _____

REQUIRED TOOLS

- Level
- Goggles
- Tape Measure
- Caulking Gun

REQUIRED MATERIALS

- Silicone bathroom caulking (mildew resistant)

Installation

PREPARATIONS

Before installing a new Produits Neptune Rouge bathtub, we strongly recommend following the installation checklist and hiring a certified plumber to handle the installation.

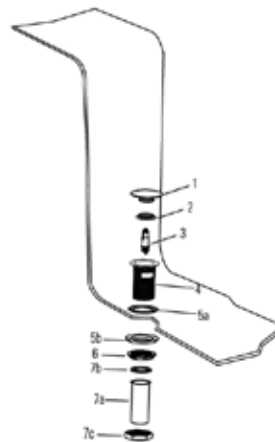
- Visually inspect the bathtub to make sure it has not been damaged during transport. In case of damage, do not proceed with the installation.
- Make sure the bathtub is the model that you ordered, that its dimensions are correct and that the location of the drain corresponds to the plans.
- Ensure that the floor of the bathroom is level and it is able to withstand the weight of the bathtub once filled with water (about 450 kg or 1000 lb). THE FOUR LEGS OF THE BATHTUB SHOULD BE IN CONTACT WITH THE FLOOR.
- To protect the bathtub during installation, cut a piece cardboard in the package and place it in the bottom of the bathtub.
- If your bathtub has a protective plastic film, do not remove it before having finished the installation. If necessary, remove the film temporarily in order to install the faucets. Also remove the film from where it may remain stuck, or lodged post installation. To remove the film, soak a cloth with isopropyl alcohol and wipe the entire surface of the adhesive film.
- If the bathtub is equipped with adjustable metal legs, they must first be installed by screwing them into the metal opening beneath the bathtub.

INSTALLATION OF A FREESTANDING BATHTUB (1-PIECE) AND DRAIN

1. Clear and clean the space around where the bathtub will be positioned so as to avoid damage to the bathtub during installation.
2. Check the level and the strength of the floor where the bathtub will be positioned. A bathtub filled halfway with water can weigh up to 450 kg (1000 lb) and the floor must be strong enough to support this weight.
3. The basic installation of plumbing (pipes and drain/water supply) must be performed by a qualified plumber prior to installation of the bathtub.
4. **To hook the drain to the floor drain, we strongly suggest to have an access underneath the bathtub or to use a floor drain specific for this installation (type 123-Connect D111). In this case, please refer to its installation guide.**
5. **If the valves require installation on the outer edge of the bathtub, follow the installation thereof as per steps 10 of this guide.**
6. Temporarily set the bathtub in its intended location, ensuring that the drain hole is aligned to the floor drain and then draw the contour of the bathtub on the ground.
7. Check the level and adjust if necessary by screwing or unscrewing the legs beneath the bathtub (maximum adjustment of 1" - 25 mm) and ensuring that the bathtub is always resting on all four legs while minimizing the space between the skirt and the floor (the skirt can rest on the floor but shall in no way support the weight the bathtub).
8. Lock the bathtub legs into position by tightening the adjoining nut once an accurate acceptable level is confirmed.
9. Lay the bathtub on its side having previously laid cardboard packaging the ground to protect the surface of the bathtub. Be sure to use a piece of cardboard without staples to avoid damaging the surface the bathtub.
10. Tighten the seal ring of the floor drain to the end the drain and if necessary, install the faucets using the its installation guide.
11. Apply a bead of silicone to the entire circumference of the skirt and the bathtub legs. We also recommend setting circle of silicone to seal the drain.
12. Place four (4) pieces of wood ¾" thick inside the footprint on which to temporarily rest the bathtub.
13. Raise the bathtub and then put it back down again, ensuring alignment over

the vertical drain, without moving the drain and making sure the bathtub rests on the wooden blocks.

14. Remove the wooden blocks one by one to correctly place the bathtub in its resting place aligned to the drain.
15. Screw the rings of the drain by tightening properly.
16. If necessary, add silicone to the location of the pieces of wood, clean surplus and erase the trace marks on the ground
17. Let stand at least 24 hours before use.



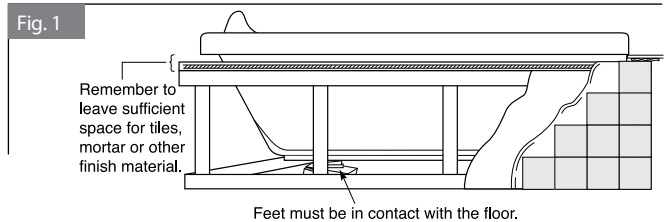
- 1- Plug
- 2- Cap Seal
- 3- Opening Mechanism
- 4- Strainer
- 5a- Bague putty
- 5b- Seal
- 6- Mounting Nut
- 7a- Drain pipe (1,5")
- 7b- Gasket
- 7c- Tightening nut

PODIUM INSTALLATION

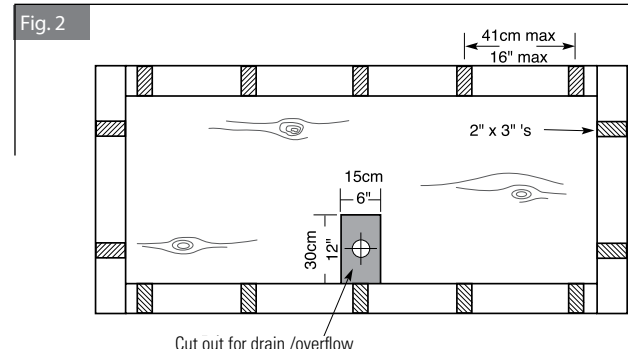
When the plans call for podium installation we recommend the following installation procedure:

NOTICE: The bathtub must be supported by its feet only. The feet must be in contact with the floor at all times. The rim should only touch the podium and should not be supported.

- Step 1: Calculate the height of your podium structure. Remember that the finish material must fit between the lip of the bathtub and the podium structure, so its thickness must be subtracted from the total height when building your structure (see fig. 1).

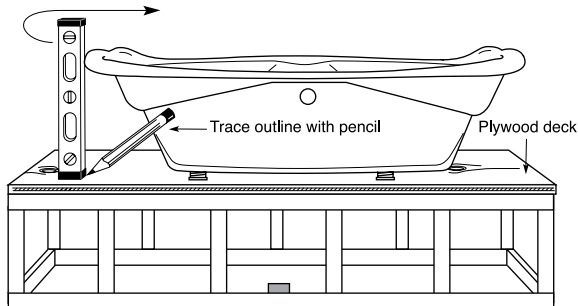


- Step 2: Frame the podium using 2" x 3" s spaced no more than 41cm (16") on center. Remember to provide adequate support under the rim of the tub and ensure that the framework is level. This framing must conform to your local building codes (see fig. 2).



- Step 3: Cut out an opening 15cm x 30cm (6" x 12") in the floor to accommodate the bathtub drain and overflow piping.
- Step 4: Sheath the top of the podium using 5/8" thick exterior grade plywood. The plywood should be attached to the framework using screws.
- Step 5: Lift the bathtub onto the podium and align it in the desired position. The outline can now be traced using a level and pencil as shown in *fig. 3*.

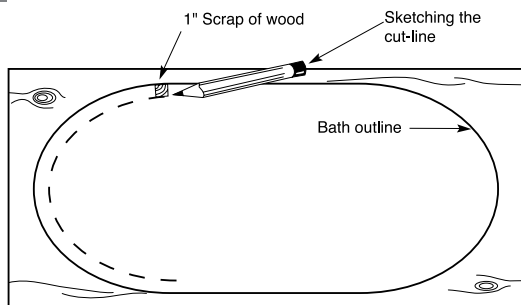
Fig. 3



TRACING THE OUTLINE OF THE BATH

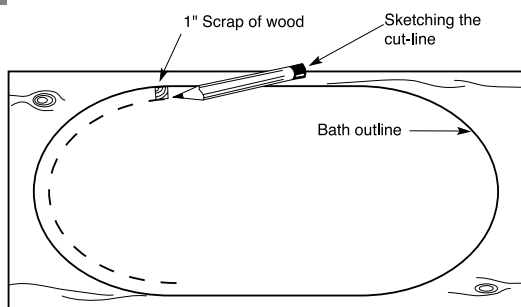
- Step 6: Remove the bathtub from the podium, and sketch a cut line 2.5cm (1") inside the outline of the bathtub (*see fig. 4*). You can use a 1" scrap of wood to simplify this procedure.

Fig. 4



- Step 7: Drill a pilot hole on the cut line. Cut out the waste following the cut line using a jigsaw (*see fig. 5*).

Fig. 5



- Step 8: The bathtub overflow and drain should now be installed by a competent certified plumber according to the overflow manufacturers instructions, and conforming to local building codes.
- Step 9: Clear away and vacuum any remaining debris from inside the podium
- Step 10: Lift the bathtub and set it into the podium. Make sure that it fits properly and that there is sufficient space for the bathtub overflow plumbing. Make any necessary modifications before proceeding with the next step. If you plan to use a mortar bed mark the position of the bathtub's feet on the floor and remove the bathtub from the podium.
- Step 11: Level the bathtub lengthwise first with the adjustable legs and then use the clamping nuts to lock the height. Glue the shims to the feet and the floor using construction adhesive. **NOTE: Do NOT use nails or screws to affix the feet to the floor.**

INSTALLATION OF FREESTANDING BATHTUB (2-PIECE)

For a bathtub with a contour skirt, we suggest that you follow the instructions below.

It is recommended that the installation be done by two people.

The bathtub has been leveled in factory. If an adjustment is necessary, you can use the adjustable feet by loosening the locknut on each foot, but they must be relocked in position before the final installation.

- Step 1: Temporarily position the entire bathtub in the desired location. If the drain is not preinstalled, mark its location on the floor so that you can reposition the bathtub correctly in the following steps (*Figure 6A*). Using a washable marker, draw two lines from the edge of the bathtub to the skirt (*Figure 6B*) to establish a reference point for Step 5.

An opening of 15cm x 30cm (6" x 12") needs to be cut into the floor for the bathtub drain and overflow (*see fig. 6A*). Make sure that there are no obstructions in this space.

Fig. 6A

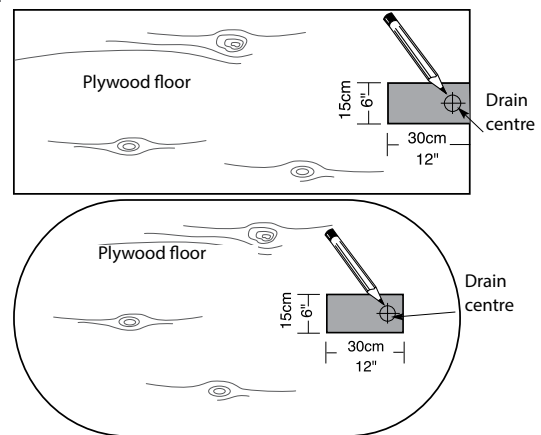
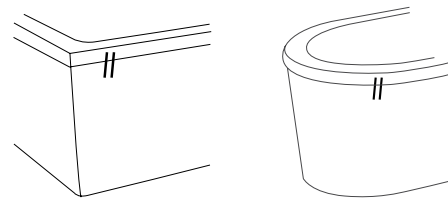


Fig. 6B



- Step 2: Remove only the bathtub, being careful to not move the skirt. Next, draw the interior outline of the skirt on the floor with a lead pencil to designate skirt location. (*Figure 7*)
- Step 3: Remove the skirt and reposition only the bathtub according to the previously drawn lines.
- Step 4: Apply a thin line of silicone under the skirt and put it into place.
- Step 5: Position the bathtub, integrate the bathtub into the skirt. Make sure that the two reference lines drawn are well aligned.

Note: The bathtub must rest on its feet and skirt. The feet should be in contact with the floor and the skirt with the edge of the bath at all times.

- Step 6: Leave the bathtub in this position for at least 24 hours.

Notes:

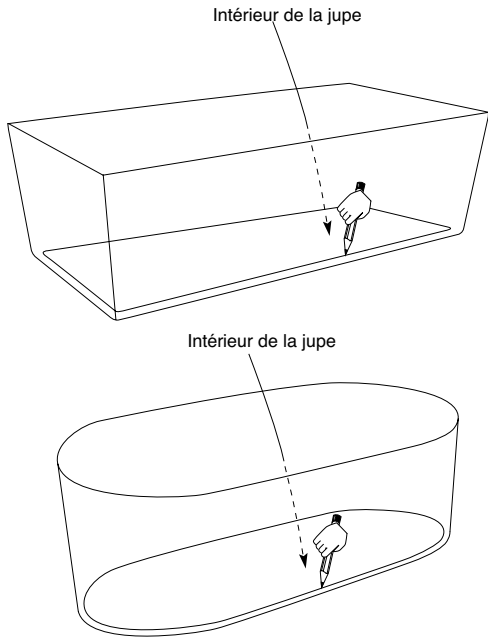
We recommend the two following methods for future service access:

- 1) Cut an access panel in the floor under the bathtub if circumstances allow.
- 2) Remove the bathtub from the skirt if required for maintenance.

The structure of this style of bathtub is not designed to sit on the edge, the acrylic skirt and the tub itself may crack.

A tape with foam can be installed between the skirt and the tub to avoid squeaking.

Fig. 7



Maintenance

ROUTINE CLEANING

To protect the acrylic finish from Produits Neptune, it must be cleaned with a mild dish soap such as Dawn or Sunlight or a specifically designed acrylic detergent.

NEVER USE ABRASIVE POWDER (VIM, AJAX, COMET, etc.), PETROLEUM DISTILLATE OR OTHER STRONG SOLVENTS TO CLEAN THE BATH.

Acrylic repairs

STAIN

If you have a particularly resistant stain, you can use isopropyl alcohol to try and remove it (isopropyl alcohol is toxic, so always follow the safety instructions that come with it and wear rubber gloves).

MINOR SCRATCH REPAIR

Small superficial scratches can usually be removed by using an automotive polishing compound such as NuFinish or Meguiar's mirror glaze.

MAJOR DAMAGE REPAIR

Major damage, including chips and cracks in your bathtub, can often be repaired by a qualified technician. Your Produits Neptune dealer can put you in contact with such a qualified professional.

Troubleshooting

PROBLEM	SOLUTION
Water remains around the bathtub rim or drain..	Check that the installation is level and that the bathtub is sitting firmly on its feet. (Drain slope is built into the bathtub.) Shim with adjustment wedges if necessary
Bathtub bottom moves during use.	The bathtub is not sitting firmly on its feet. Shim with adjustment wedges or use the alternate mortar bed installation technique.
Protective plastic film will not come off.	Use isopropyl alcohol.

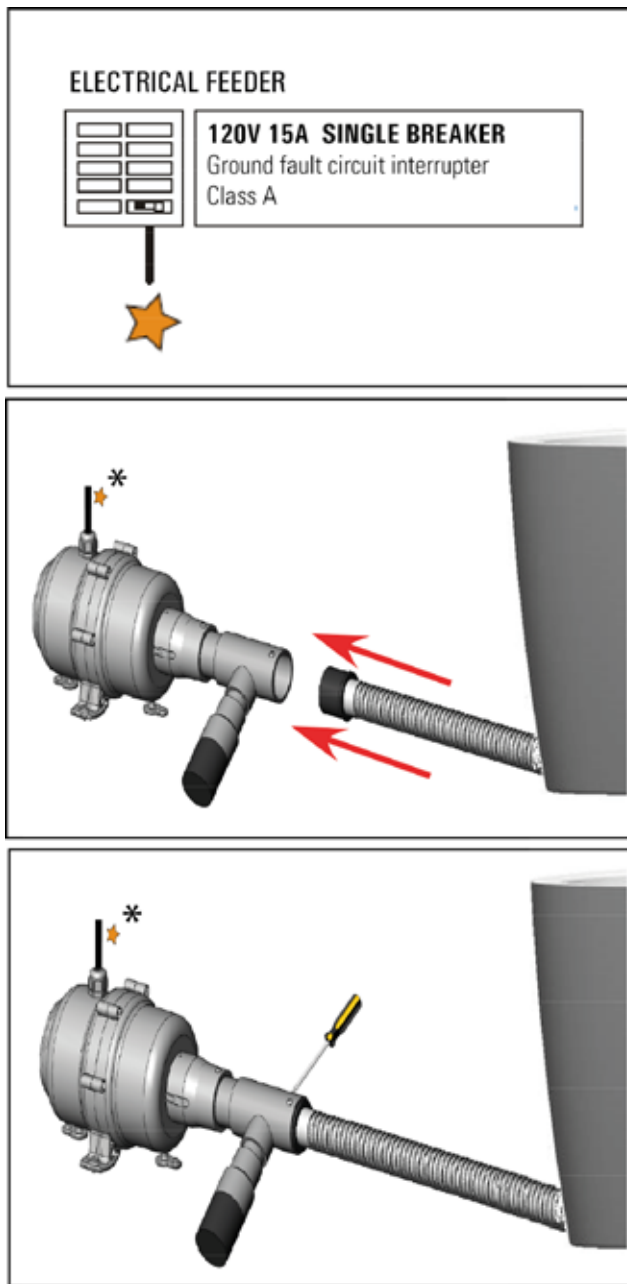
Systems

CONNECTION

The electrical connections must be done by a licensed electrician to ensure that your installation is safe and complies with the applicable building code in your area.

Your system must be connected to an independent 110/120 volt circuit, protected by a class A ground fault circuit interrupter.

*In Canada only: Each electronic component must be connected to the electrical panel by a junction box, refer to your local electrical code.



RECEIVER MODULE INSTALLATION

System only activates using the remote control.

Step 1: Plug in the cable as show on the drawing.

Step 2: Once it's connected, the remote control is ready for synchronisation.

SYNCHRONIZATION

Step 1: Once the system has been connected, the remote control must be synchronized with its receiver module.

Step 2: Switch off the main breaker or unplug the system and switch it on again.

*From this moment, you have 15 secondes to proceed with the synchronization.

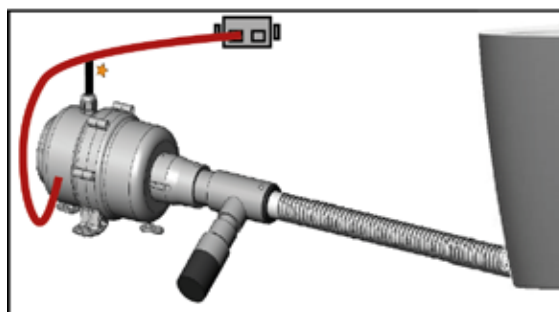
Step 3: Press simultaneously on the buttons 2 and 3 of the remote for 4 seconds.





The remote control is now synchronized and ready to use. If the synchronization is not successful the first time, you should resynchronize, starting at Step 2.

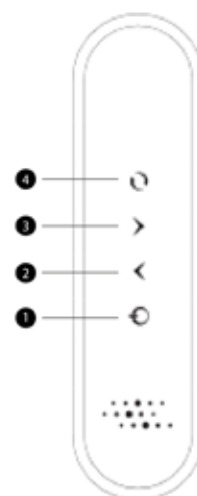
IMPORTANT

In order to obtain the best reception, we recommend to not install the receiver module next to the faucets or metal piping.

Location of the receiver module must be easily accessible from the outside of the bathtub for maintenance.



1 ON / OFF BLOWER	
	First press: The blower starts Second press: The blower stops
2 INCREASES THE BLOWER	
	Press and hold to increase the blower speed. Release pressure at the desired speed.
3 DECREASES THE BLOWER	
	Press and hold to decrease the blower speed. Release pressure at the desired speed.
4 PULSE CYCLES	
	First press: Wave - Speed will vary gradually maximum to minimum. Second press: Pulse - Speed will alternate straight between the minimum and maximum. Third press: Return to maximum speed.



Integrated 20 minute timer.

Troubleshooting

PROBLEM	SOLUTION
Electronic control fails to operate.	<ul style="list-style-type: none"> • Check the electrical power supply. Reset circuit or replace fuse if necessary. • Check Ground Fault Circuit Interrupter (GFCI). Reset if tripped. • If the system has been in operation for a long time it is possible that the thermal protection switch has shut off the motor. Turn off the system and wait 30 minutes for it to cool, then try again. • Check the connections between the electronic control pad and the control module.
Motor will not stop/ only some functions on the electronic control pad are working.	<ul style="list-style-type: none"> • Shut off power to the bathtub at the breaker. Make certain that no water has infiltrated the control pad. Try drying the pad with a hair dryer. • Check for excessive humidity under your bathtub and around the control pad and control module. Allow it to dry out and provide for adequate ventilation if necessary.
Excessive noise from blower.	<ul style="list-style-type: none"> • Most of the noise from your Rouge-Air or Mass-Air system actually comes from the movement of the water. • Check that the blower is firmly secured. • Make certain that there are no obstructions close to the intake of the blower, and that it has an adequate supply of fresh air. • The bathtub can be insulated using bats of fiberglass around the tub. Make certain that you leave a 2 sq feet space around the blower..
Blower runs but no air comes out through the jets	Check that the main air hose from the blower to the manifold is properly connected. Reconnect and tighten clamps if necessary.
Air outlets in jet heads are blocked.	<ul style="list-style-type: none"> • If the air outlets of a jet head are obstructed with soap or other residues, fill the tub with water and brush them gently with a toothbrush. Turn the system ON then OFF several times. • Remove caps (Mass-Air & Rouge-Air) and ball bearing and clean with cotton swabs. Use a rubber head hammer for reinstallation. • If the problem persists tap the jet heads with a spoon while the blower is running (Mass-Air system only).

Warranty

Our warranty does not cover damage caused by:

Lightning, fire, misuse, neglect, poor maintenance, thermal shock (flames, cigarettes, boiling water ...), damage following to delivery (contact from transport, handling ...), misuse, natural or chemical corrosion.

All alterations or modifications on a Produits Neptune Rouge bathtub automatically nullify all warranties. In the event of breakage, Produits Neptune Rouge must be informed within ten (10) days following the damage.

In keeping with manufacturer standards, the warranty is limited to the repair or replacement of the bathtub. No compensation may be claimed from the manufacturer resulting from loss of use, time, income, miscellaneous fees, inconvenience, materials, workmanship or any costs of removal or replacement of a defective product.

No other agreements or implicit promises are included in this warranty.

PRODUITS NEPTUNE ROUGE QUALITY

Your product has been inspected and tested by our specialists and is compliant with our high Produits Neptune Rouge quality standards.

UPC

Our products have received UPC certification.

ETL CERTIFICATION

Our products and their components have received ETL certification, which attests to their quality and reliability.

WARRANTY

Each Produits Neptune Rouge product has been subjected to rigorous quality controls and we guarantee that it conforms to the highest quality standards. In order to ensure a trouble-free installation, we strongly recommend that you read the installation manual and our warranty terms joined with the product carefully before beginning any work. Our warranty covers parts and labor for repairs only and does not cover additional costs related to defective product replacement.

BATHTUBS

ROUGE ACRYLIC SHELL: Produits Neptune Rouge guarantees that acrylic units are free of any defects in materials and workmanship under normal use and service for a period of four (4) years starting from the initial date of purchase by the owner/user, contractor, or builder from an authorized dealer.

DRAINS

ROUGE DRAIN: Limited 4-year warranty on finish (parts).

PARTS:

Limited 1-year warranty against manufacturing defects.

SYSTEMS

Limited 10-year warranty (parts and labor) against manufacturing defects; jets, pipes, fittings, electronic control pads, blowers, black box, remote controls, wiring, etc. and leaks related to manufacturing defects.

Limited 5-year warranty against manufacturing defects related to colored trims inside the bathtub.

IMPORTANT!

- When a showroom product is sold, the warranty period begins on the date of purchase from Produits Neptune Rouge by the retailer.
- For commercial use, all products have a 1-year warranty against manufacturing defects.
- The Produits Neptune Rouge warranty is solely for the personal household use of the original owner/user and starts on the date of purchase from Produits Neptune Rouge by the retailer. The warranty will take effect when the original owner/user presents the original bill of sale. The warranty is not transferable to subsequent owners. All products replaced or repaired by a qualified and certified technician during the warranty period will still be covered for the remainder of the original warranty.
- This warranty shall not apply in the case of non-compliant or incorrect operating procedures, breakage or damage caused by normal wear and tear, fault, negligence, abuse, misuse, misapplication, improper maintenance, alteration or modification of the product, as well as chemical or natural corrosion, fire, flood, or any other fortuitous event. This warranty shall not apply to stains or malfunctions caused by natural disaster, ferrous water, hard water or salty water.
- Like any product of lasting quality, Produits Neptune Rouge products and accessories require a certain amount of upkeep to preserve their finish. Clean your new Produits Neptune Rouge product with a mild soap, rinse thoroughly with warm water, and dry with a clean, soft cloth. Never use cleaning products containing abrasive agents, ammonia, bleach, acid, wax, alcohol, or solvents. Failure to comply with these maintenance instructions may invalidate the Produits Neptune Rouge warranty.
- No return on products sold in liquidation.
- No warranty on products sold in liquidation.
- No return on products sold more than 3 months ago.
- 1-year guarantee on purchased parts.