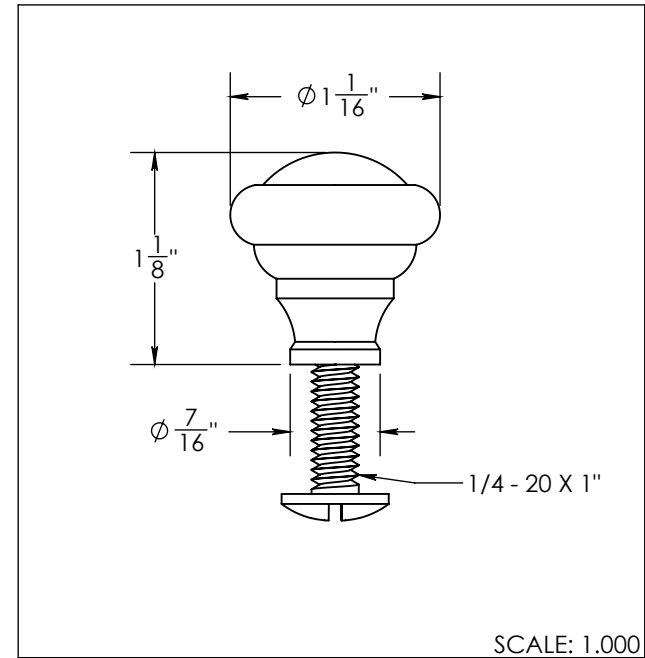
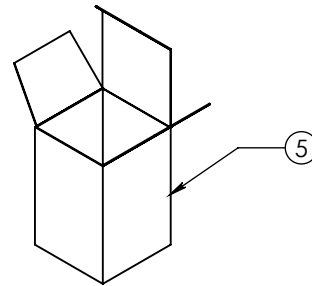
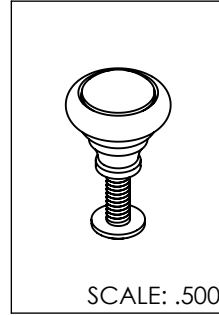
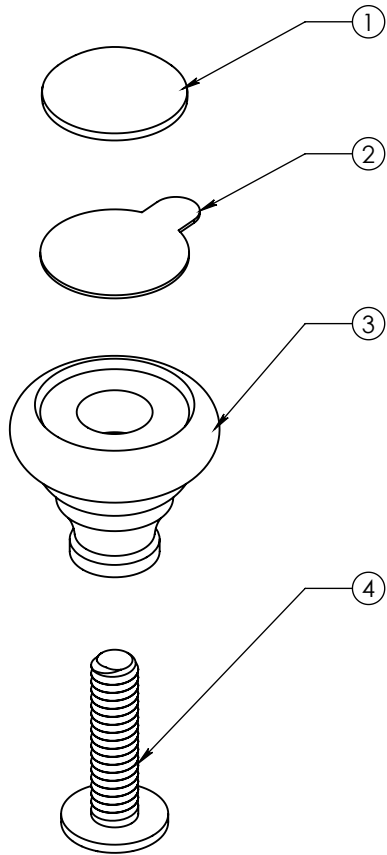


NOTES:
1. XX DENOTES FINISH

| BILL OF MATERIALS | | | |
|-------------------|-----------|--|------|
| ITEM | PART NO. | DESCRIPTION | QTY. |
| 1 | 471168-XX | BUTTON, INDEX, METAL | 1 |
| 2 | 99005 | ADHESIVE DOT W/TAB | 1 |
| 2 | 693397-XX | KNOB, LIFT, 69 SERIES | 1 |
| 4 | 881810-99 | SCREW, 1/4 - 20 UNC - 2A X 1", ZINC PLATED | 1 |
| 5 | 33010252 | CARTON, KRAFT, 2" X 2" X 3" | 1 |



PROPRIETARY AND CONFIDENTIAL: THE INFORMATION CONTAINED IN THIS DRAWING IS THE SOLE PROPERTY OF CALIFORNIA FAUCETS. ANY REPRODUCTION IN PART OR AS A WHOLE WITHOUT THE WRITTEN PERMISSION OF CALIFORNIA FAUCETS IS STRICTLY PROHIBITED. ALL RIGHTS RESERVED.



| REV | REV DESC | DATE | APPR'D |
|-----|----------|----------|--------|
| -- | RELEASE | 07/06/07 | JW |

CABINET KNOB
SERIES 69 (METAL INDEX)

| | | | |
|----------------------|-------------|-----------------|--------------|
| NEXT ASM: -- | USED ON: -- | DWG NO. | REV |
| DRAWN: C. WULF | 07/06/07 | 9488-69-MIDX-XX | -- |
| APPR'D: J. WOJTASZEK | 07/06/07 | SCALE: 1.000 | SHEET 1 OF 1 |