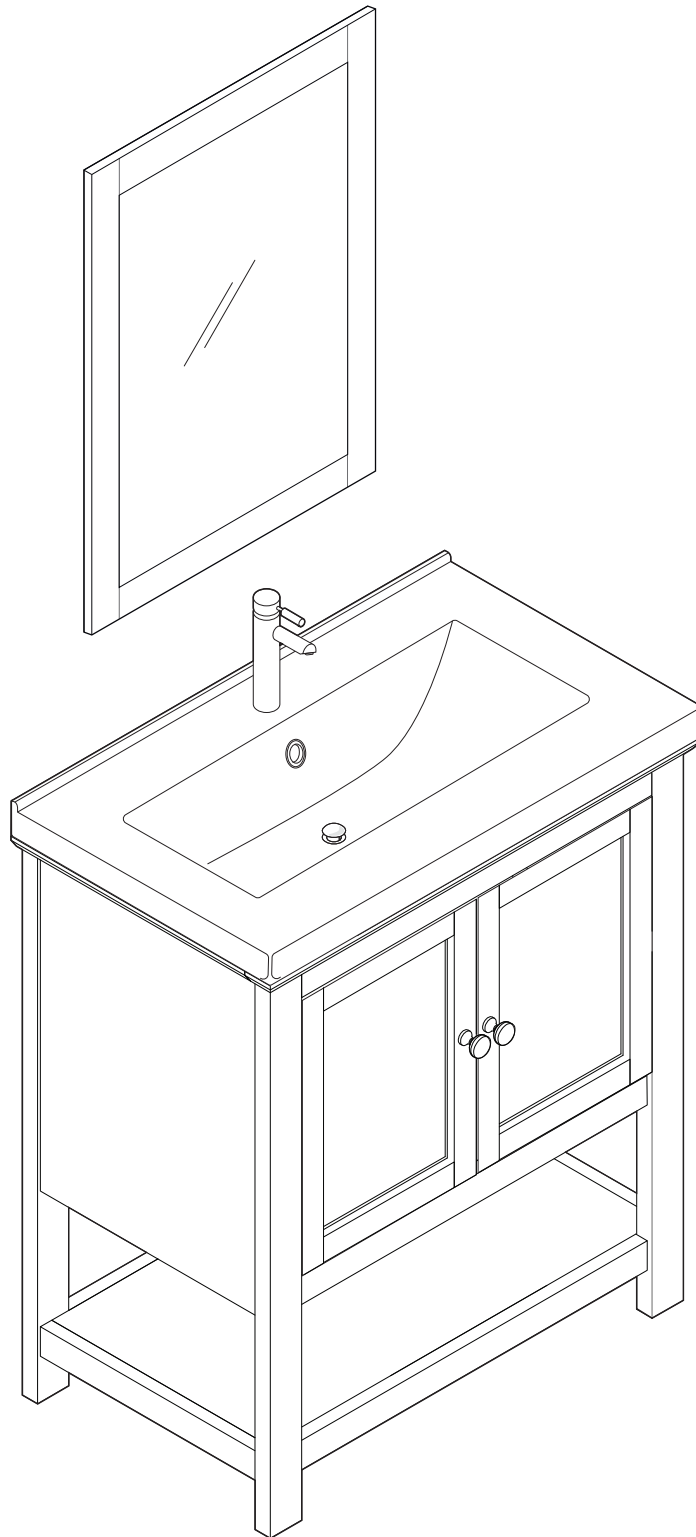
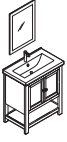


FCB2305-I MANCHESTER INSTALLATION GUIDE



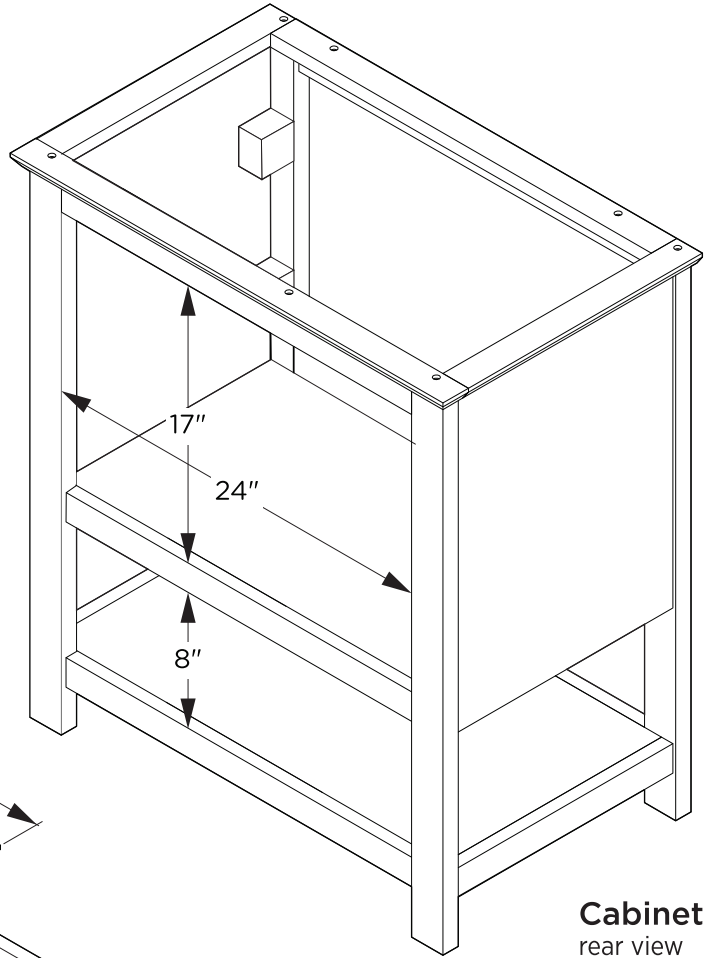
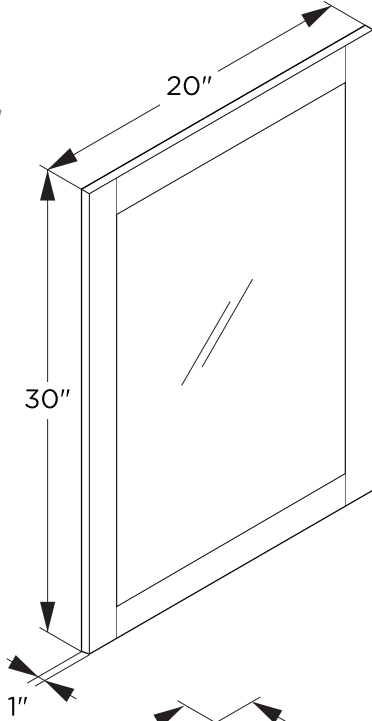
NOTE: ALL DIMENSIONS & SPECIFICATIONS ARE APPROXIMATE AND SUBJECT TO CHANGE WITHOUT NOTICE.



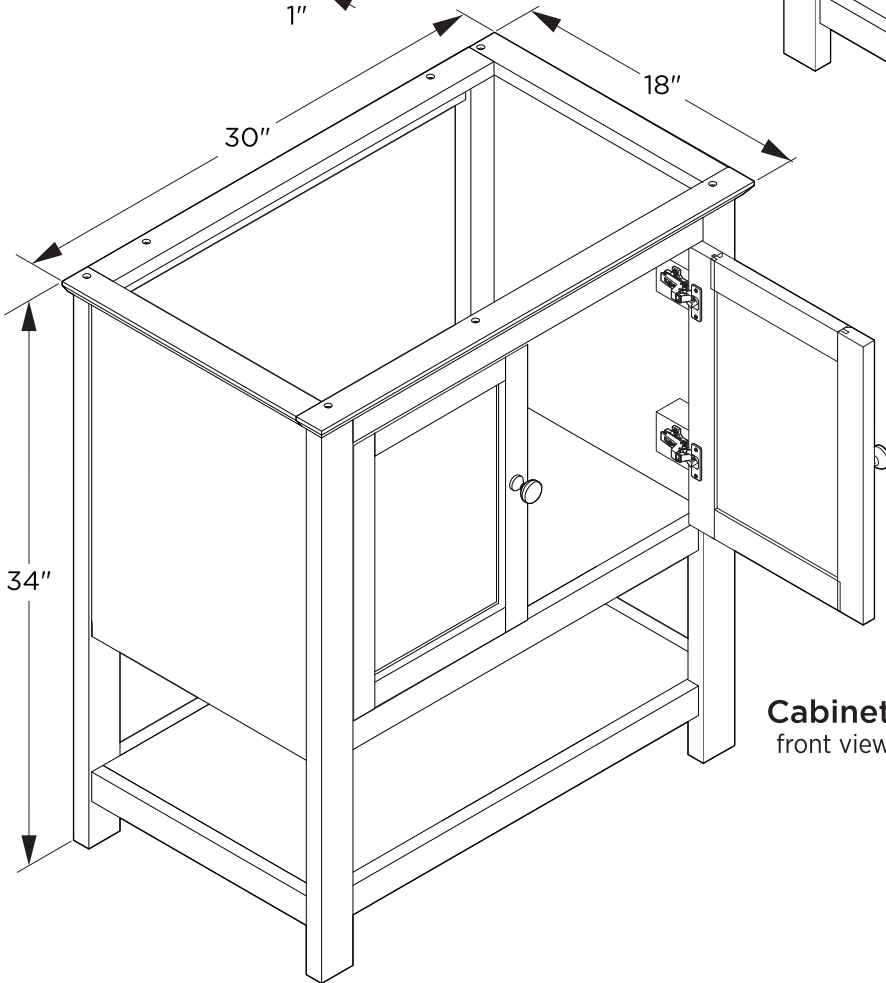
FCB2305-I MANCHESTER INSTALLATION GUIDE



Optional
Mirror
front view



Cabinet
rear view

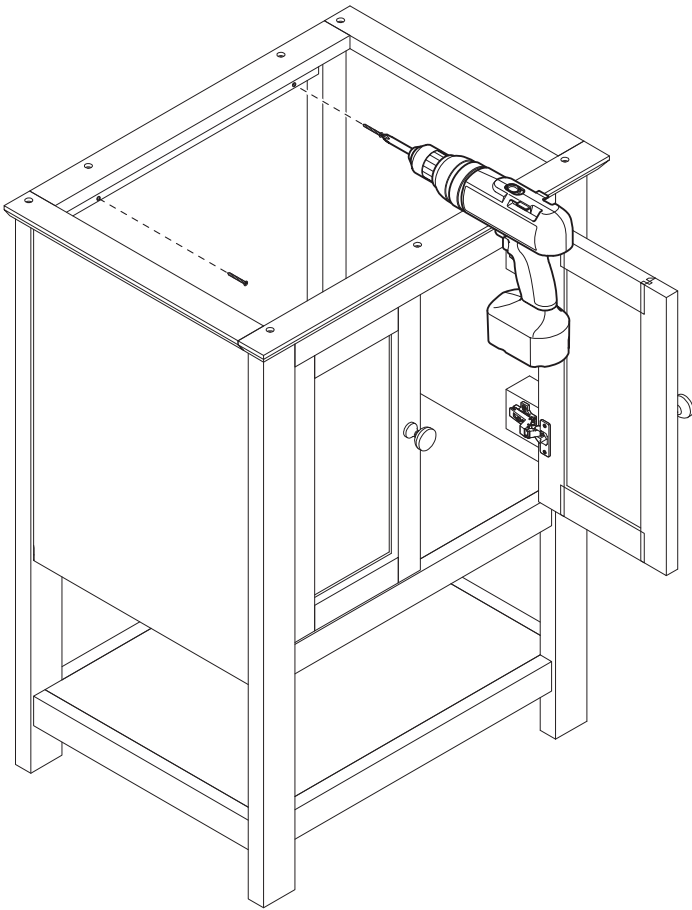


Cabinet
front view

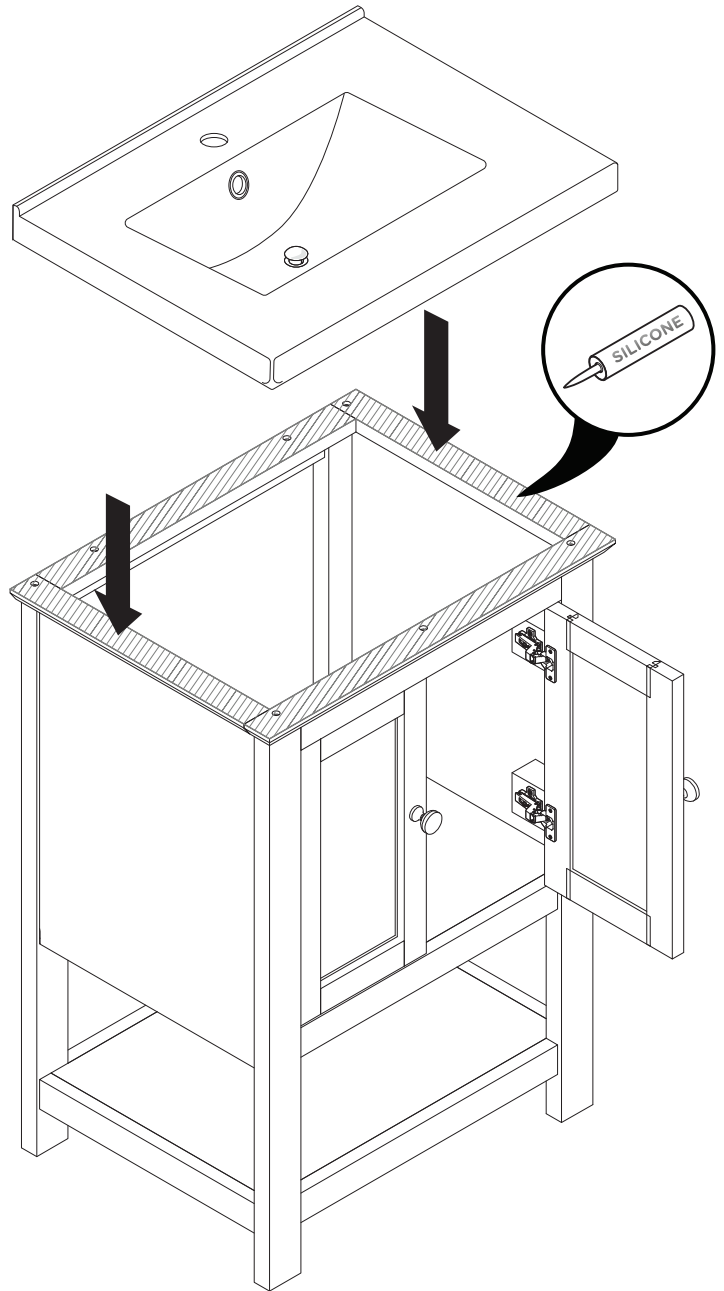
NOTE: ALL DIMENSIONS & SPECIFICATIONS ARE APPROXIMATE AND SUBJECT TO CHANGE WITHOUT NOTICE.

CABINET INSTALLATION

1 Attach the cabinet to the wall.



2 Apply a bead of silicone on the top of the cabinet and place the sink on it.



NOTE: Consult an expert for the proper screws/bolts to use when attaching to various constructions. Screws provided **do not** attach to all wall construction types. Anchors are not required if brackets are installed in stud.

OPTIONAL MIRROR INSTALLATION

TOOLS FOR ASSEMBLY

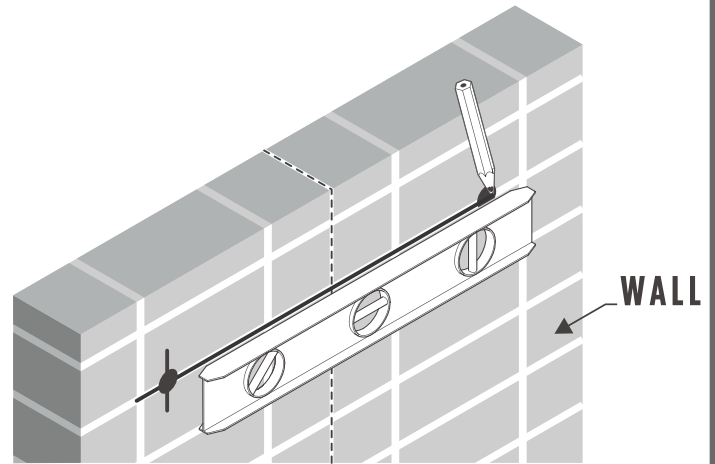
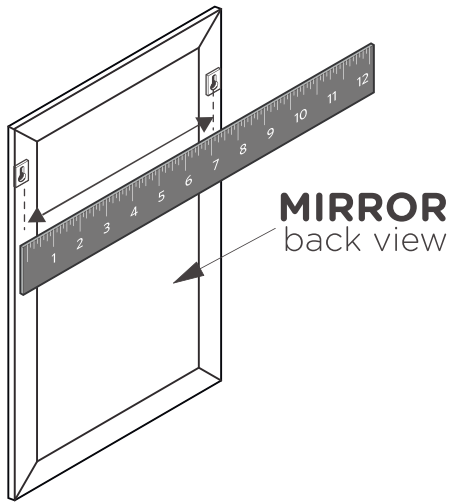


2

Mark the measured distance on the wall using a level

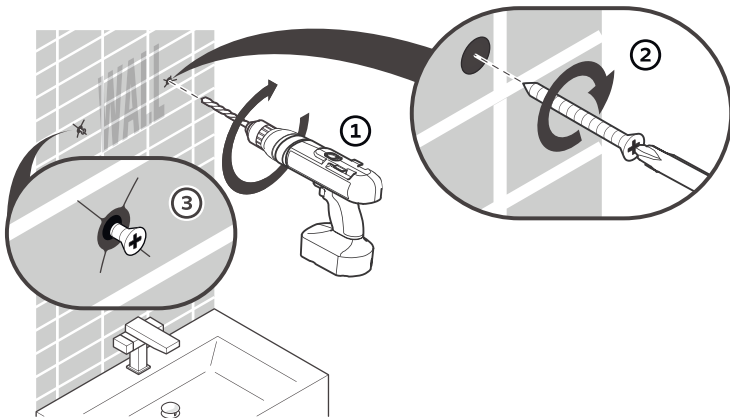
1

Measure the distance between the brackets on the back of the mirror



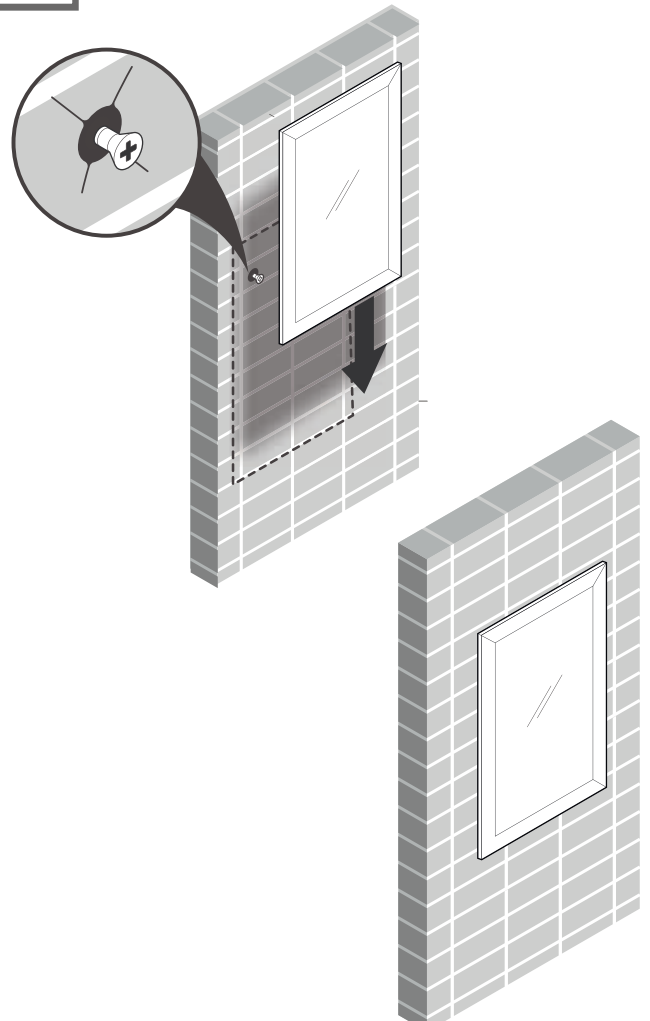
3

Once position is marked, drill 2 holes and insert anchors if stud is not available



4

Hang mirror on the wall



IMPORTANT:

CONSULT AN EXPERT FOR THE PROPER SCREWS/BOLTS TO USE WHEN ATTACHING TO VARIOUS WALL CONSTRUCTIONS. SCREWS PROVIDED **DO NOT** ATTACH TO ALL WALL CONSTRUCTION TYPES.



FCB2305-I

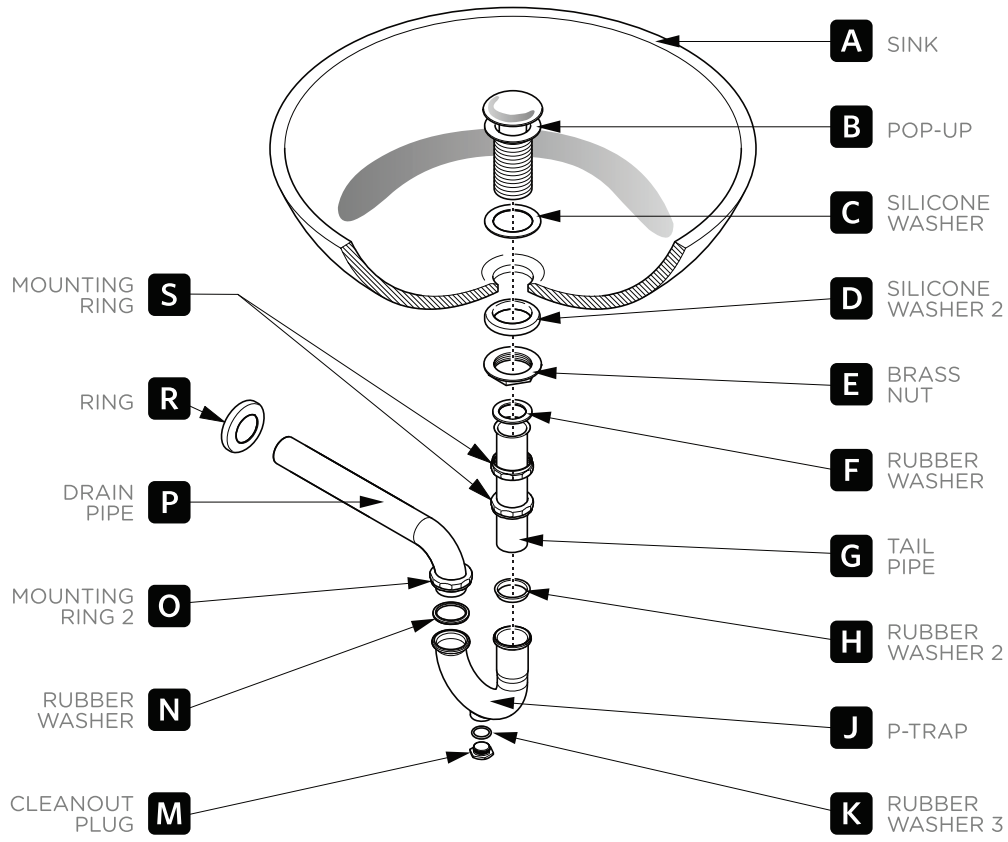
MANCHESTER

INSTALLATION GUIDE

PAGE 4

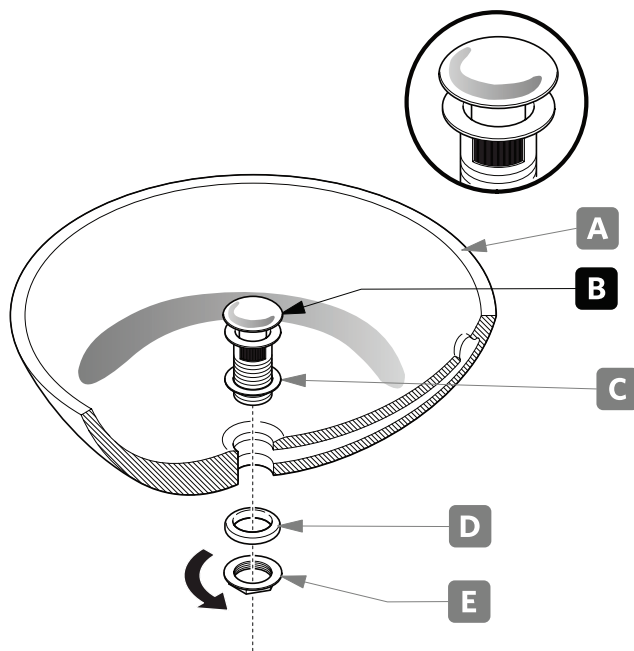
INSTALLATION INSTRUCTIONS

Your item may appear slightly different from the illustration.



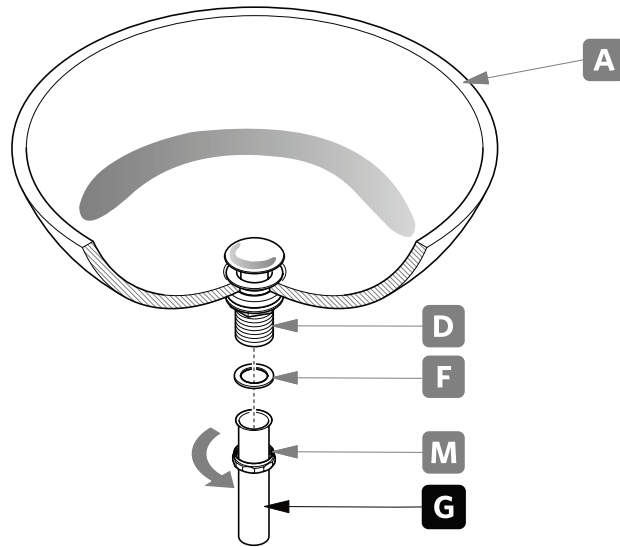
POP-UP INSTALLATION

FOR SINKS WITH OVERFLOW



OPTIONAL P-TRAP INSTALLATION

1 Install tail pipe (**G**).



2 Install P-trap (**J**).

