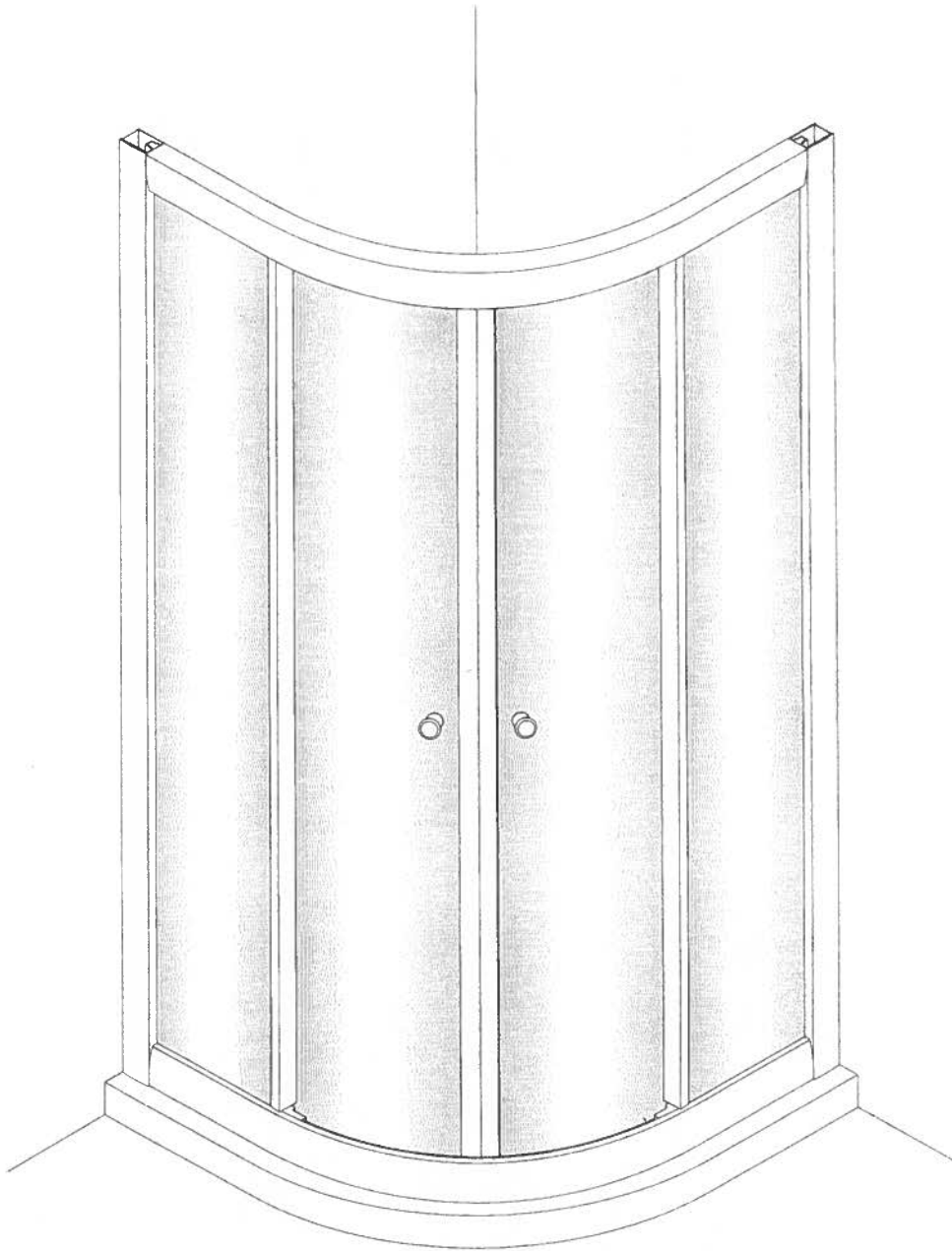
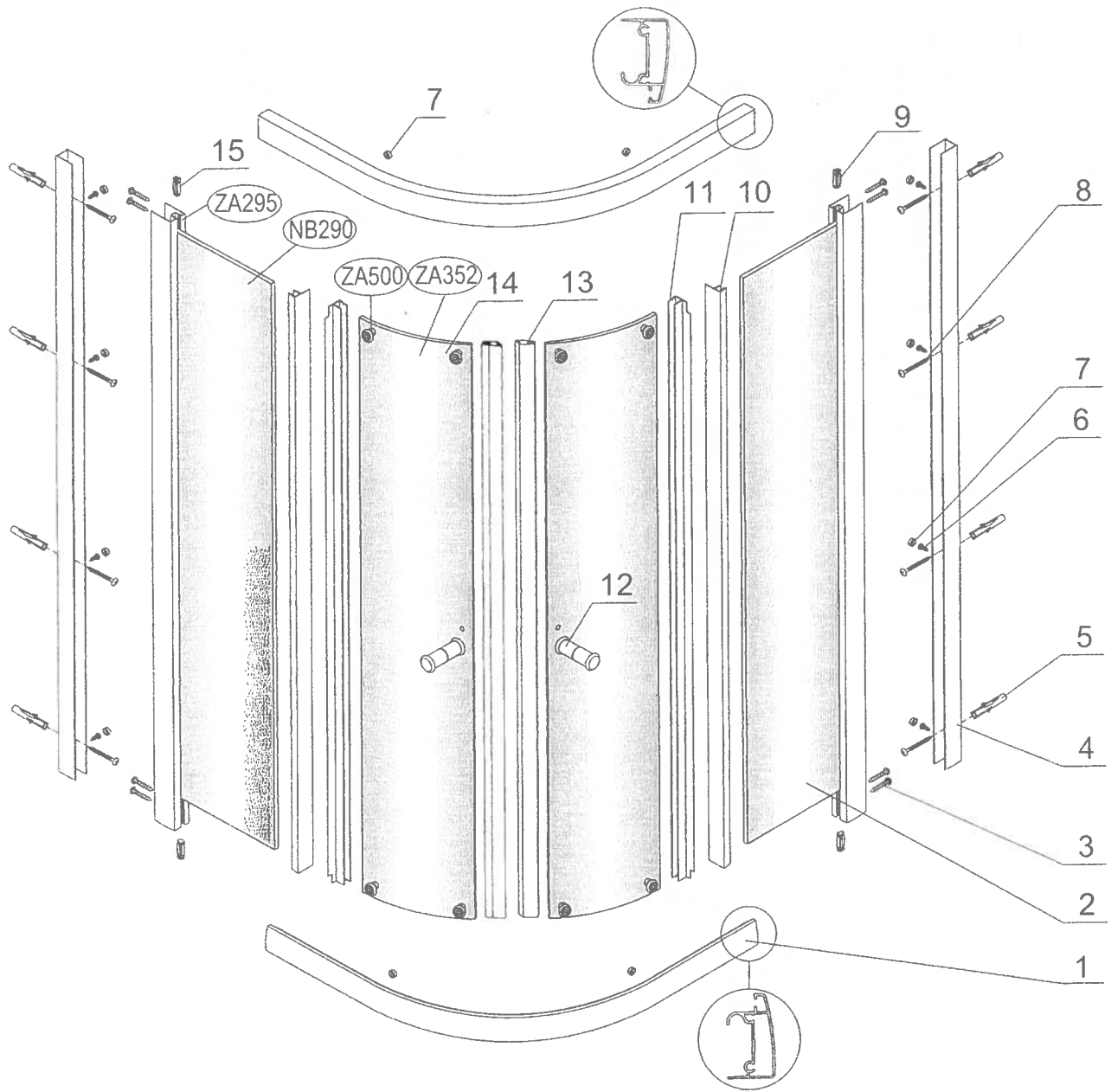


# BAROLO 40" Instruction Manual

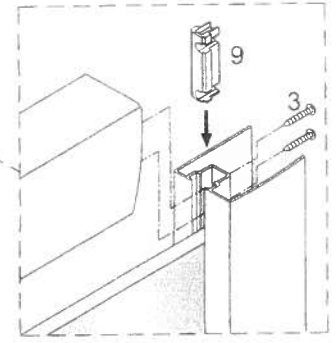
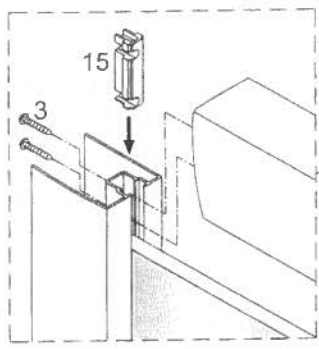


E30.1224.445.30  
E30.1224.445.35

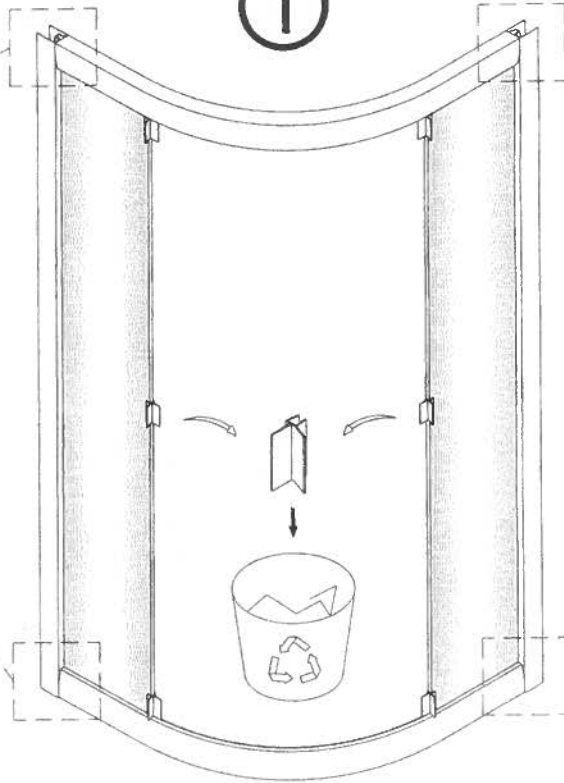
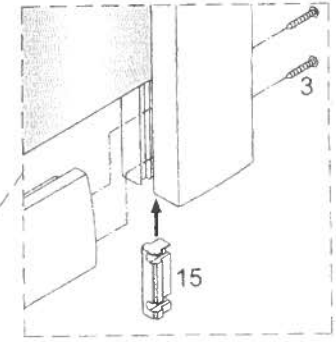
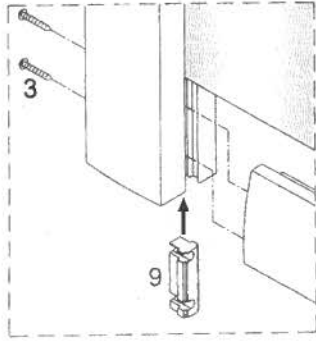


No.	CODE	IMAGE	Description	Quantity	No.	CODE	IMAGE	Description	Quantity
1	ZA330		Track	2	11	ZA497		Waterproof strip (door)	2
2			Fixed panel	2	12	MP536		Handle	2
3	ST4X30		ST4X30 screw	8	13	YF163		Magnetic strip	2
4	YF112		Wall profile	2	14			Door panel	2
5	MP268		Wall plug	8	15	ZA402		Cushion II	2
6	ST4X10		ST4X10 screw	8	<b>TOOLS REQUIRED</b>				
7	NC044		Screw cap	12					
8	TB400		ST4X50 screw	8					
9	ZA306		Cushion I	2					
10	ZA407		Waterproof strip (fixed panel)	2					

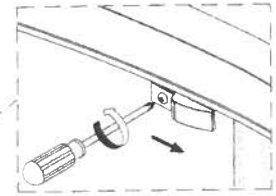
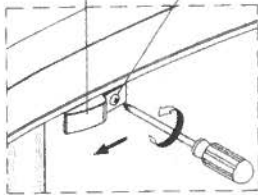
1/8" 1/4"  
Ø3.0 Ø6



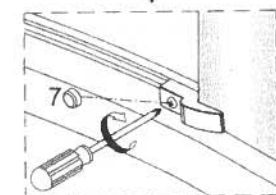
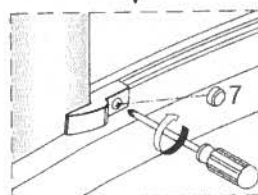
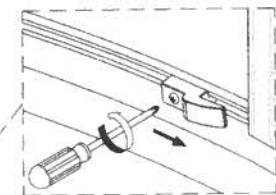
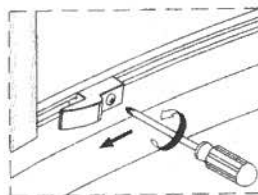
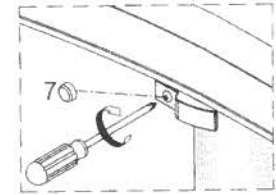
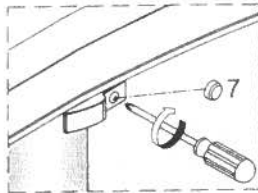
1



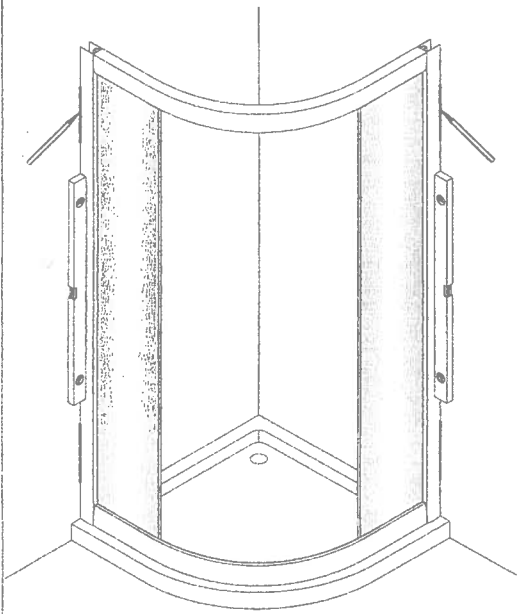
ZA298 ST4X10



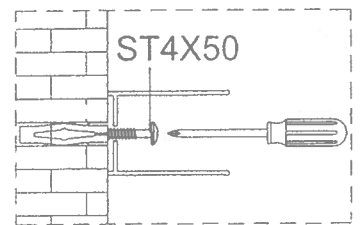
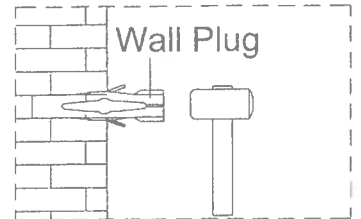
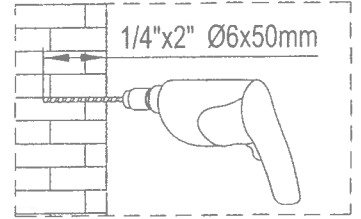
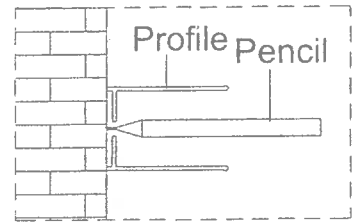
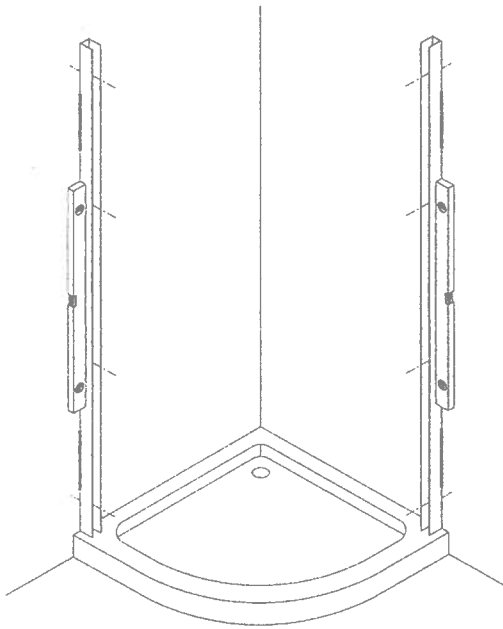
2



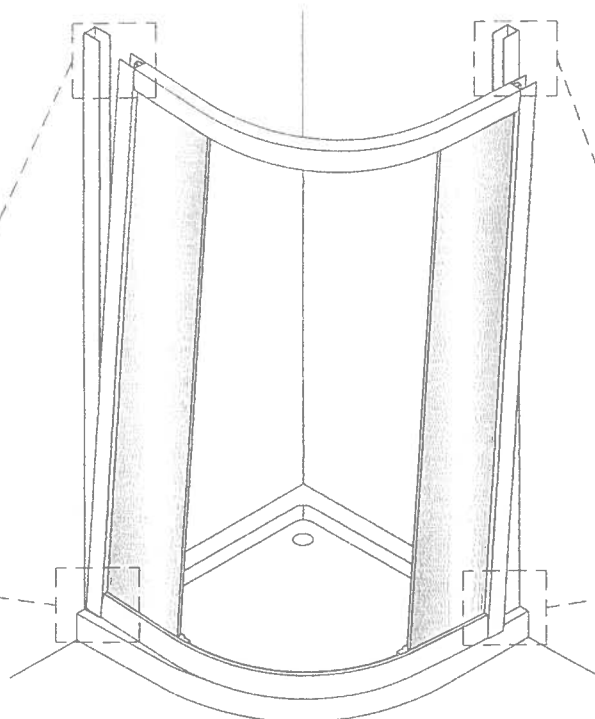
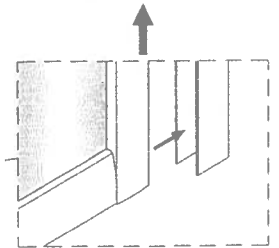
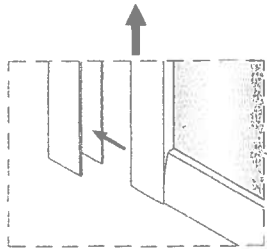
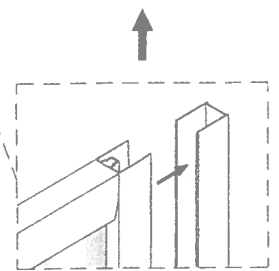
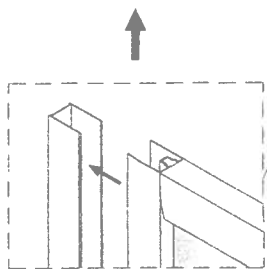
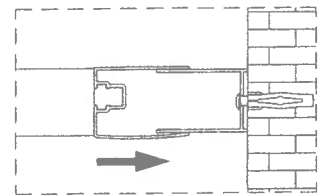
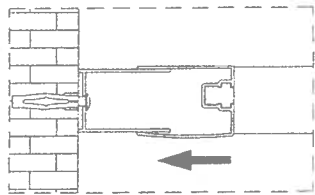
③



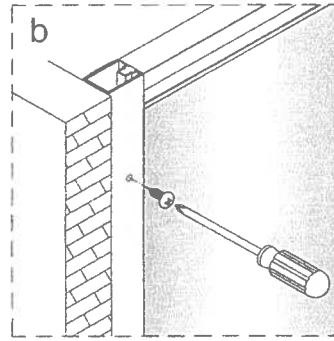
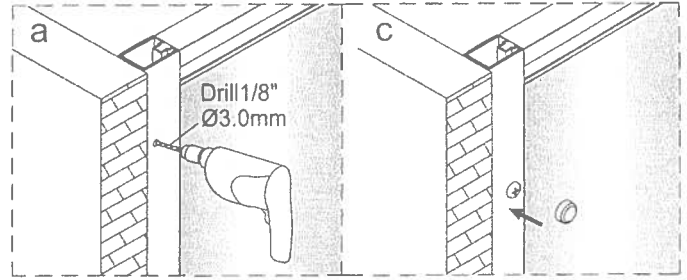
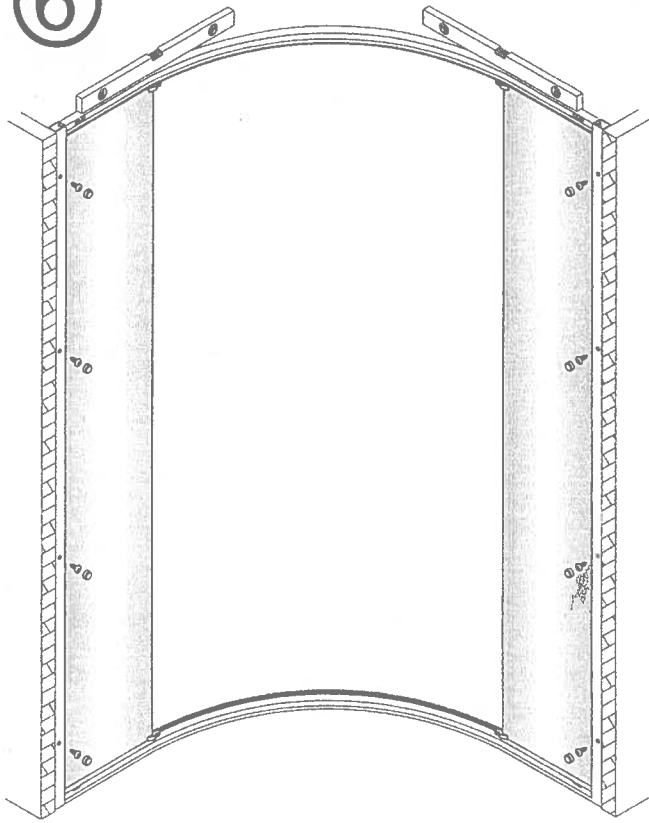
④



⑤

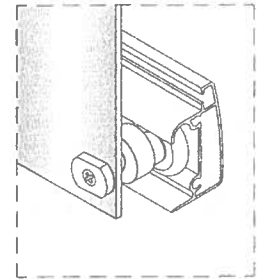
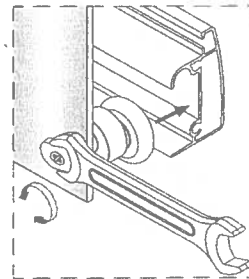
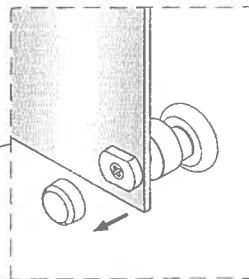
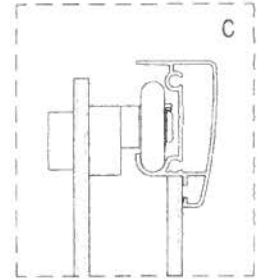
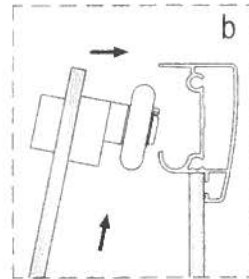
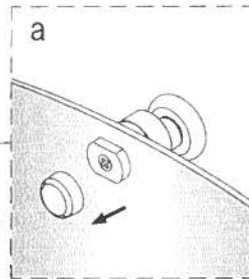
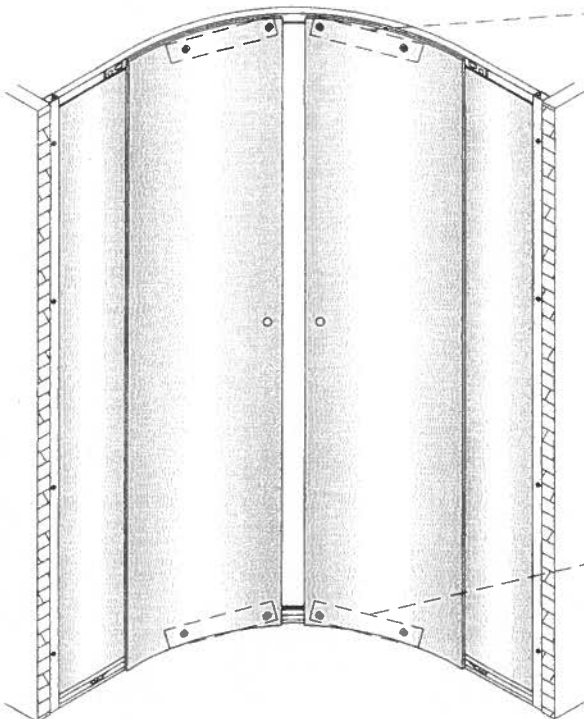


⑥

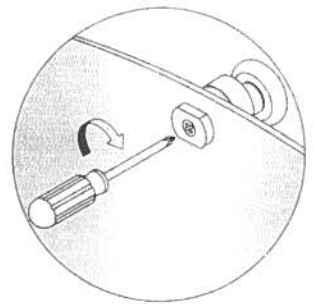
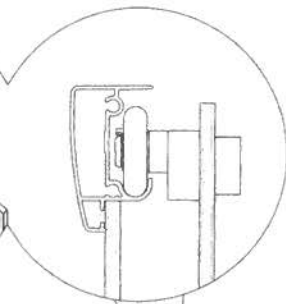
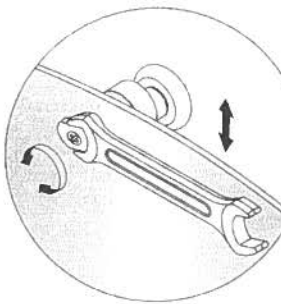
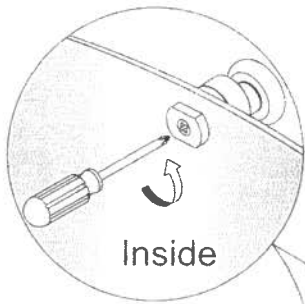
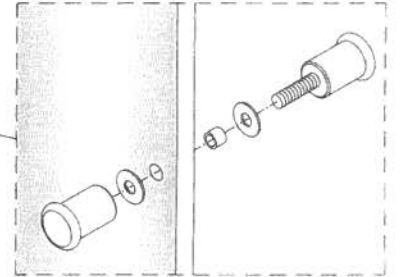
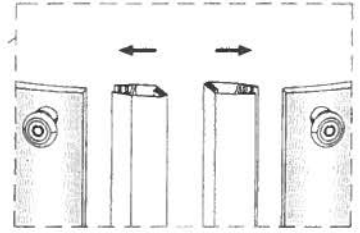
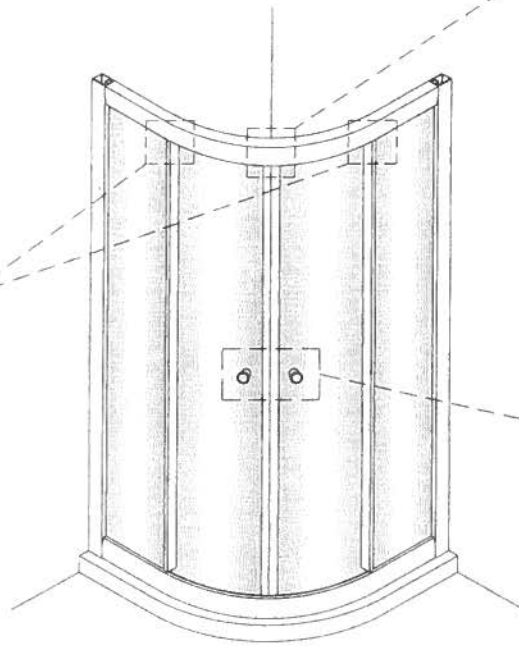
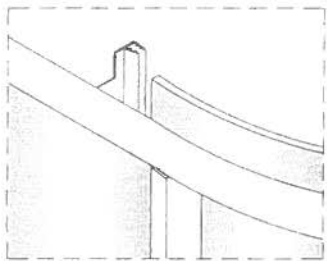
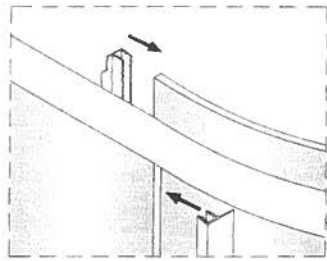


Drill 1/8"  
Ø3.0mm

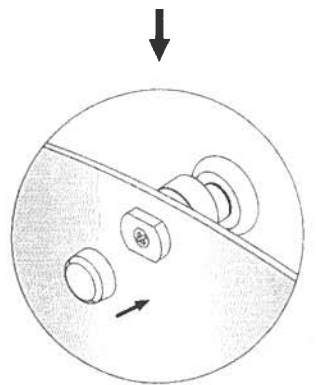
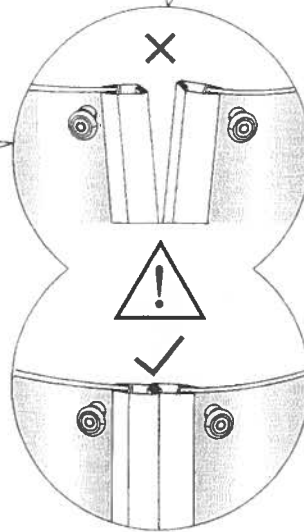
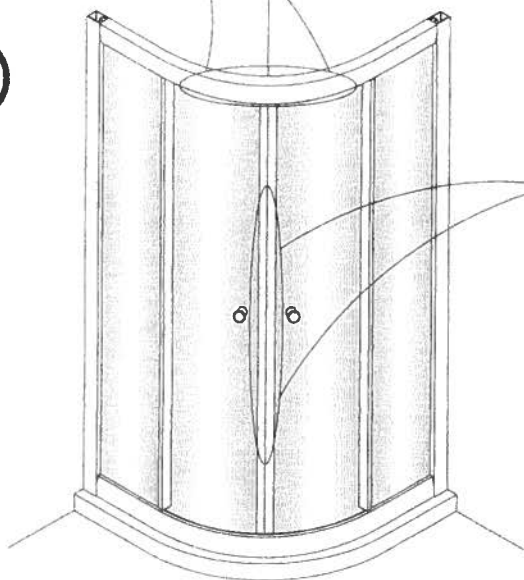
⑦



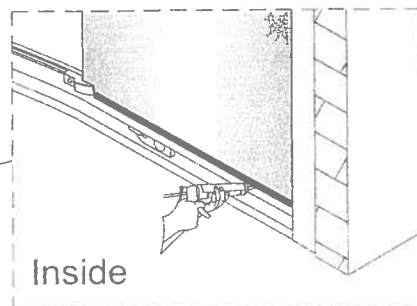
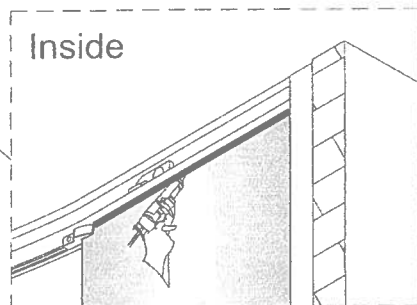
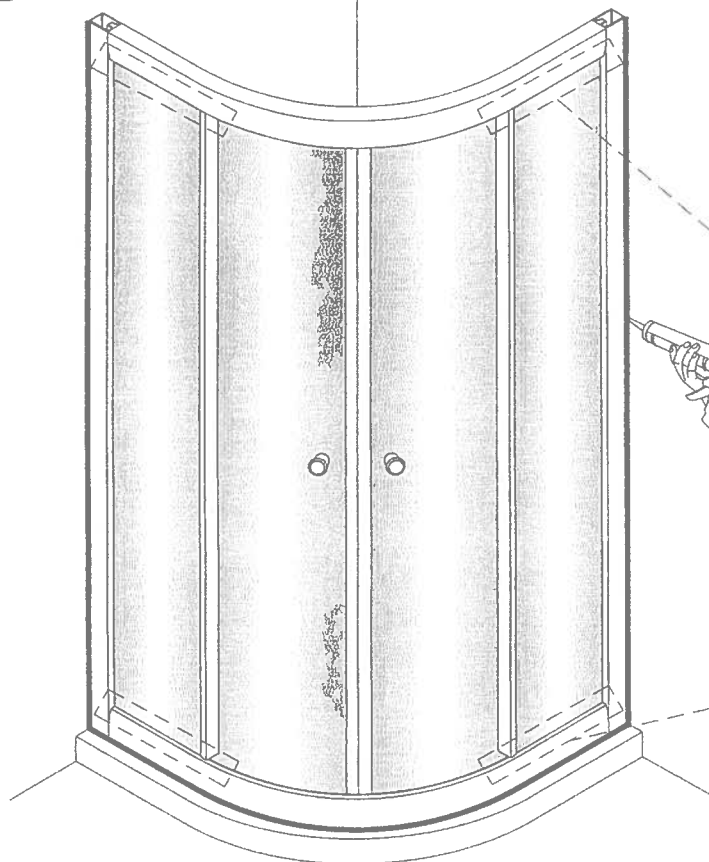
8



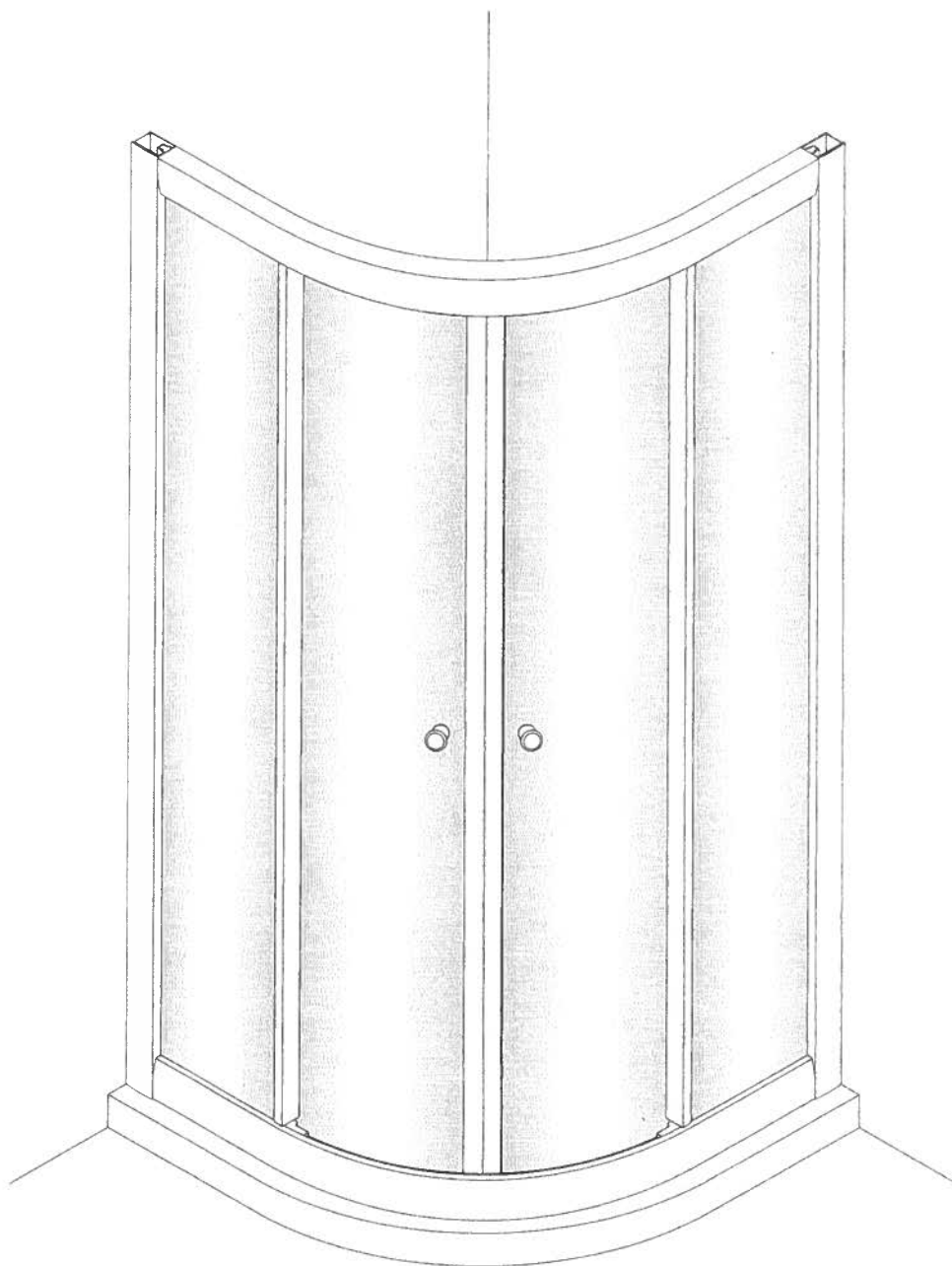
9



10

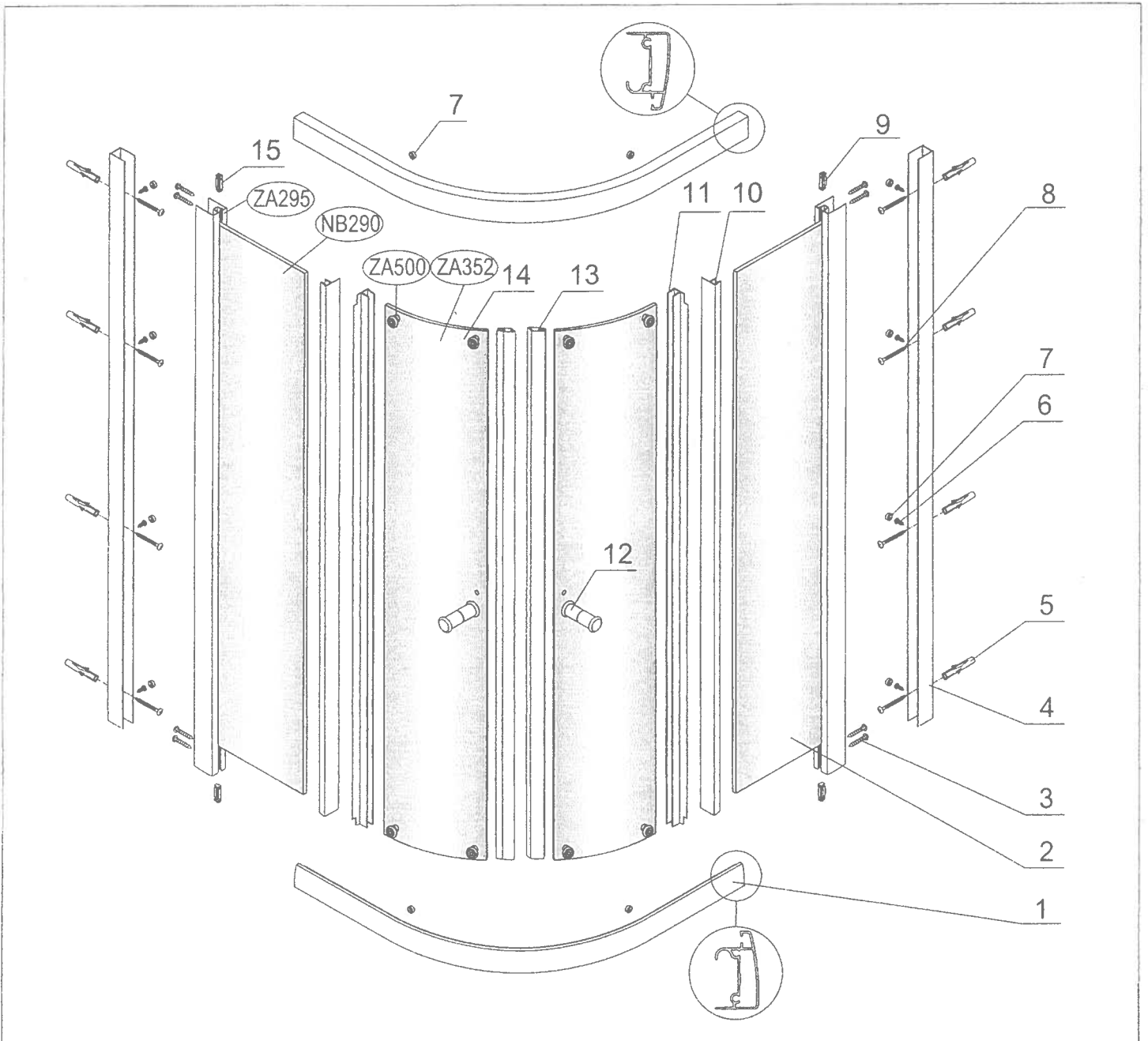


# BAROLO 36 Instruction Manual

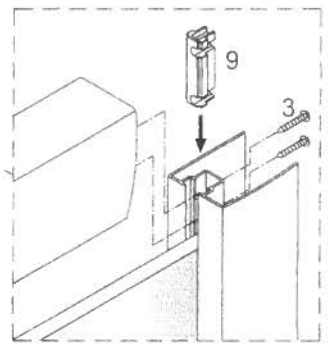
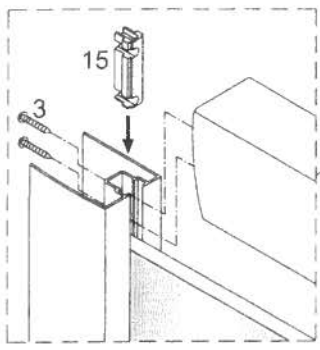


E30.1224.225.30  
E30.1224.225.35

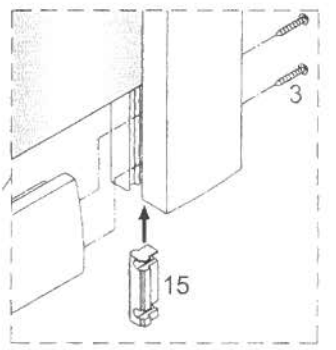
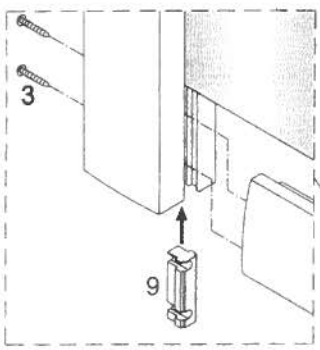
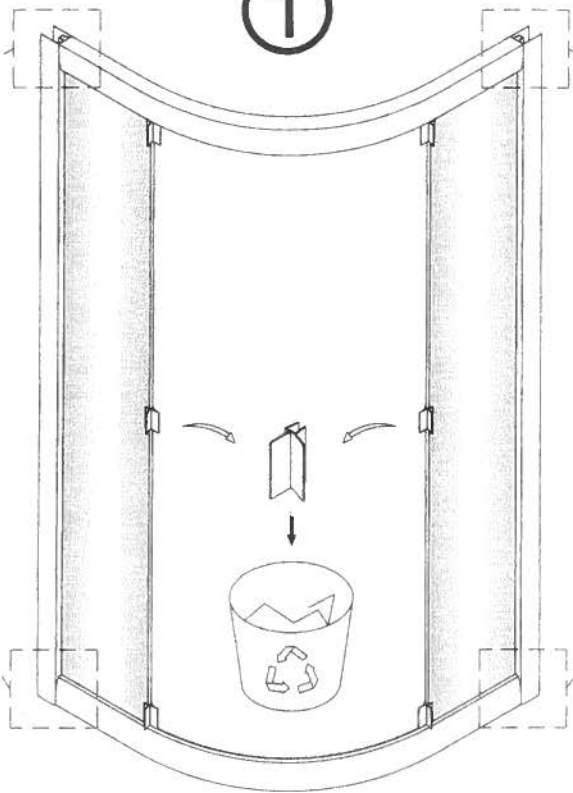




No.	CODE	IMAGE	Description	Quantity	No.	CODE	IMAGE	Description	Quantity
1	ZA330		Track	2	11	ZA497		Waterproof strip (door)	2
2			Fixed panel	2	12	MP536		Handle	2
3	ST4X30		ST4X30 screw	8	13	YF163		Magnetic strip	2
4	YF112		Wall profile	2	14			Door panel	2
5	MP268		Wall plug	8	15	ZA402		Cushion II	2
6	ST4X10		ST4X10 screw	8	<b>TOOLS REQUIRED</b>				
7	NC044		Screw cap	12					
8	TB400		ST4X50 screw	8					
9	ZA306		Cushion I	2					
10	7A497		Waterproof strip (fixed panel)	2					

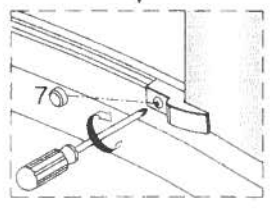
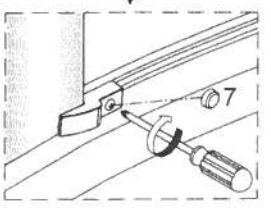
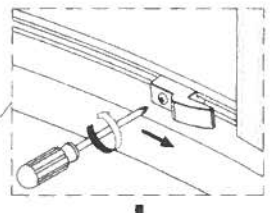
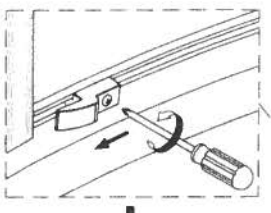
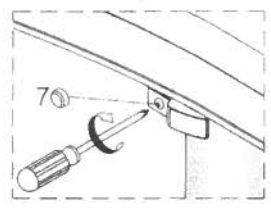
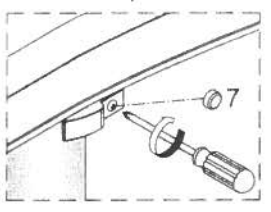
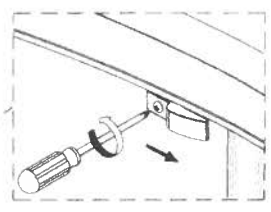
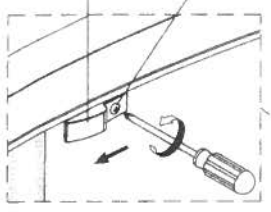


①

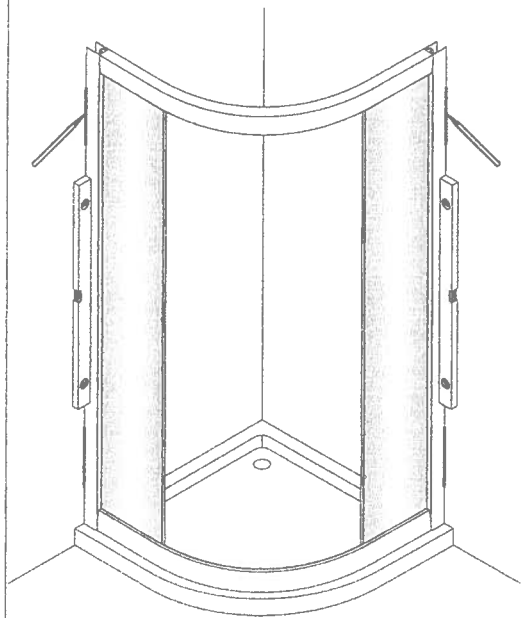


ZA298 ST4X10

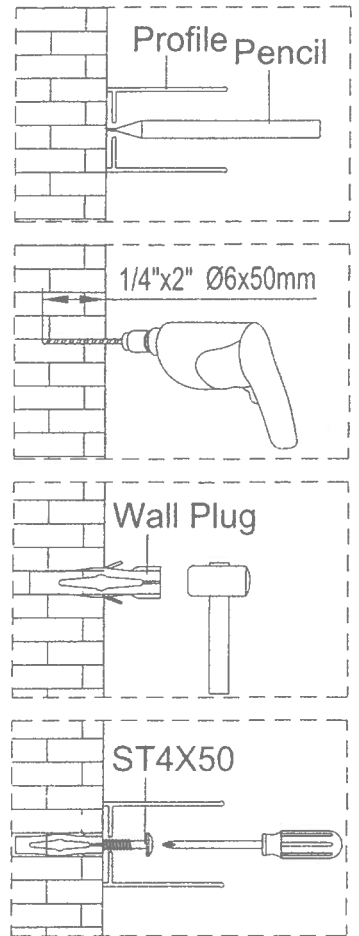
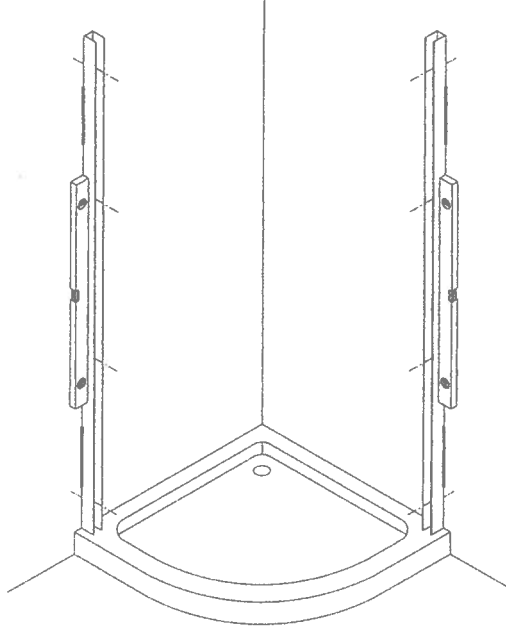
②



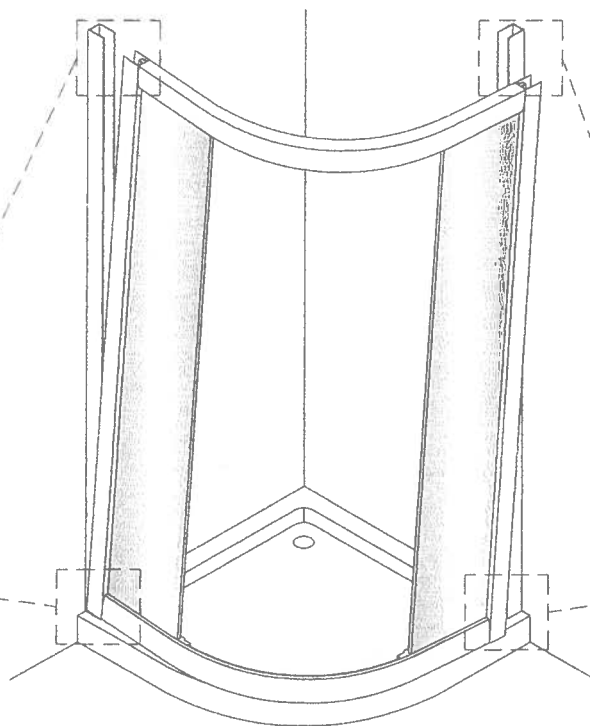
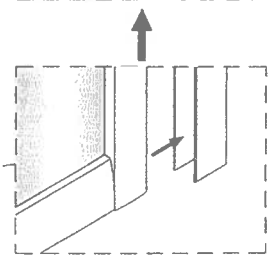
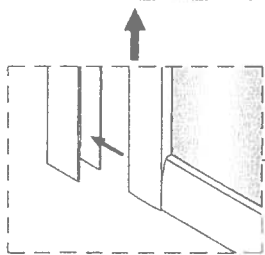
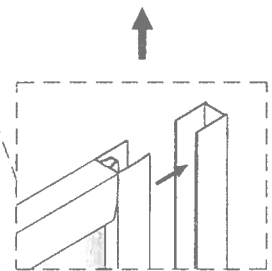
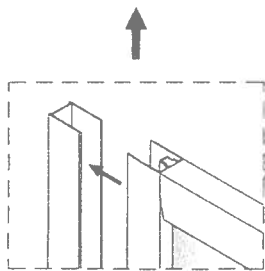
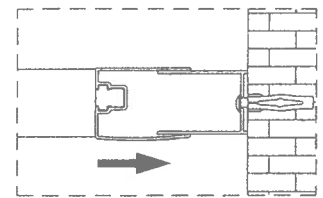
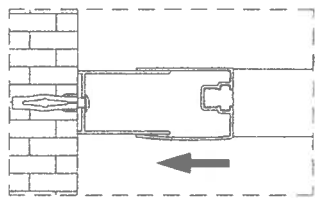
③



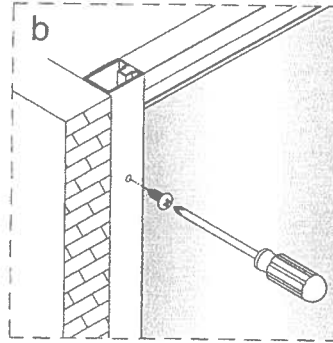
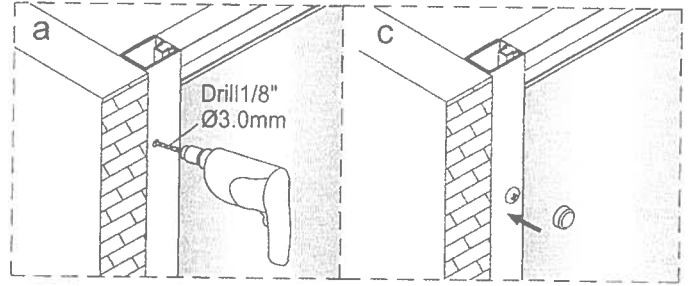
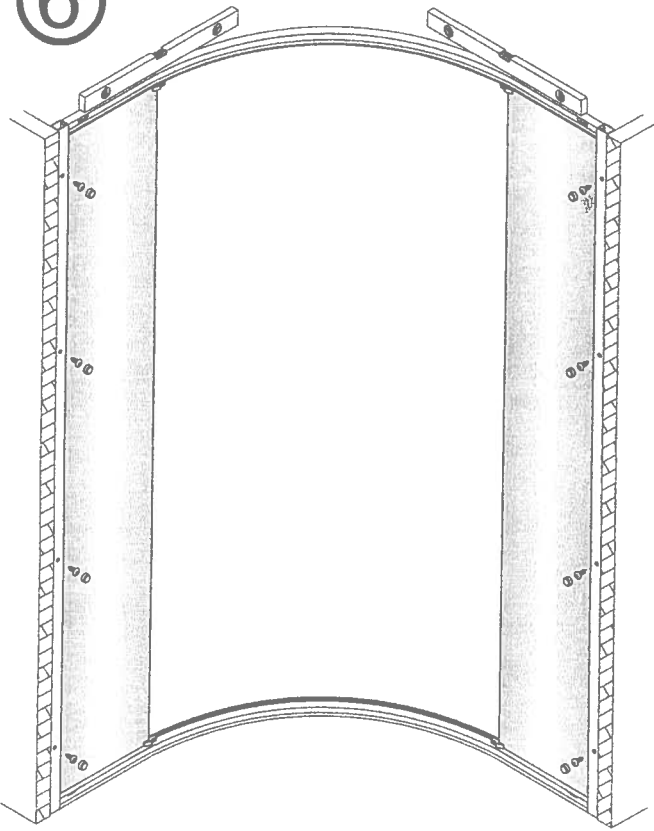
④



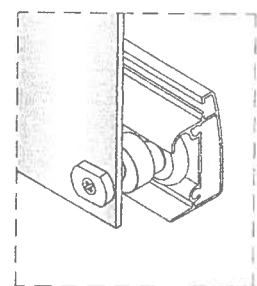
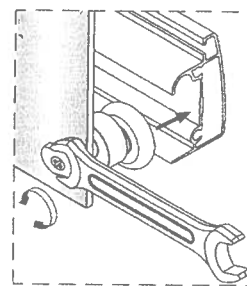
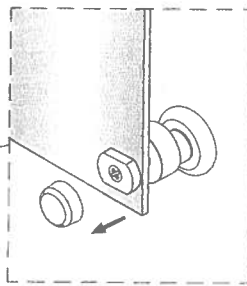
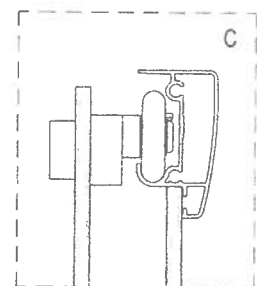
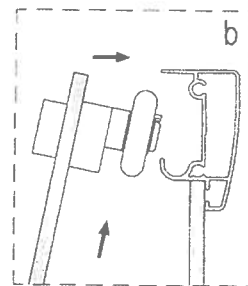
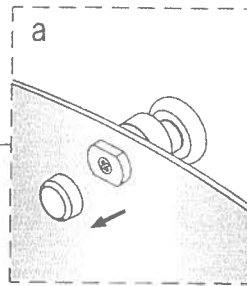
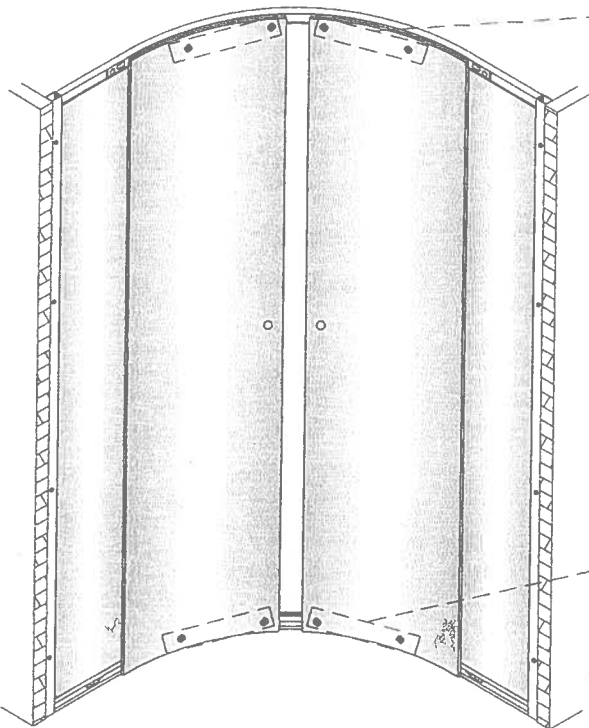
⑤



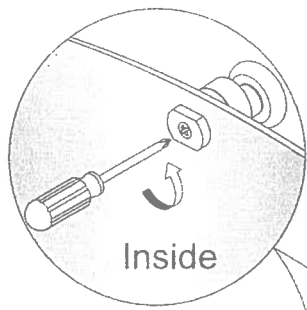
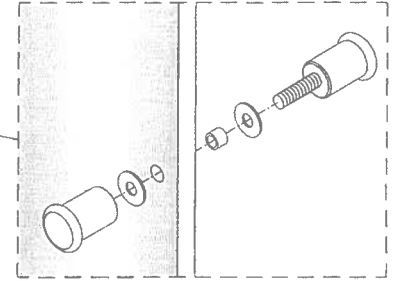
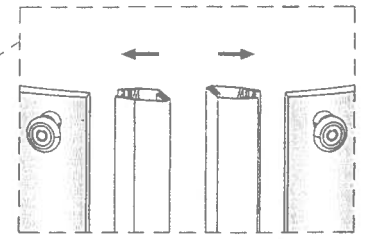
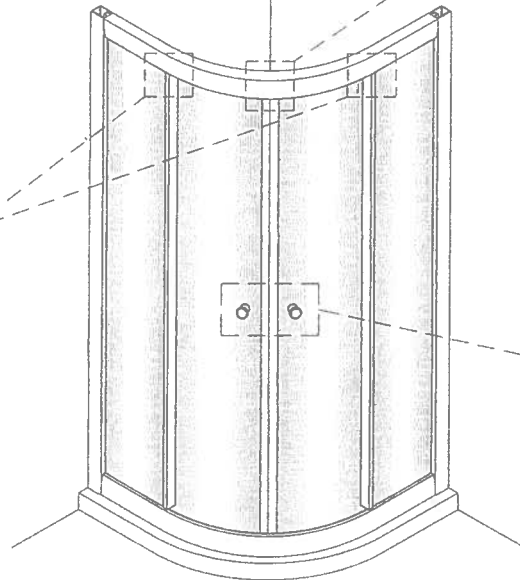
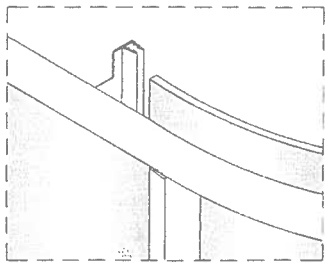
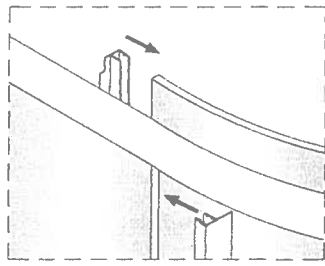
6



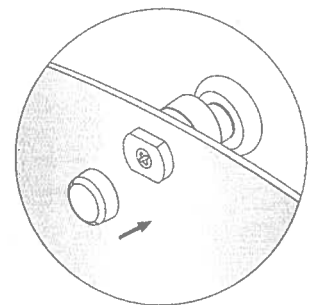
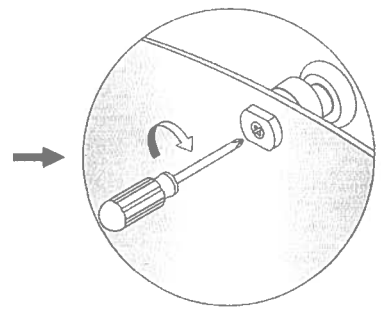
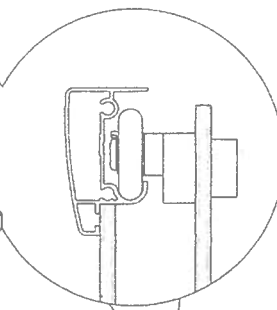
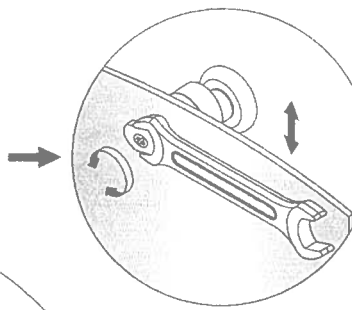
7



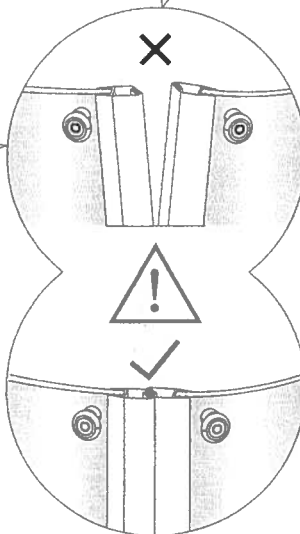
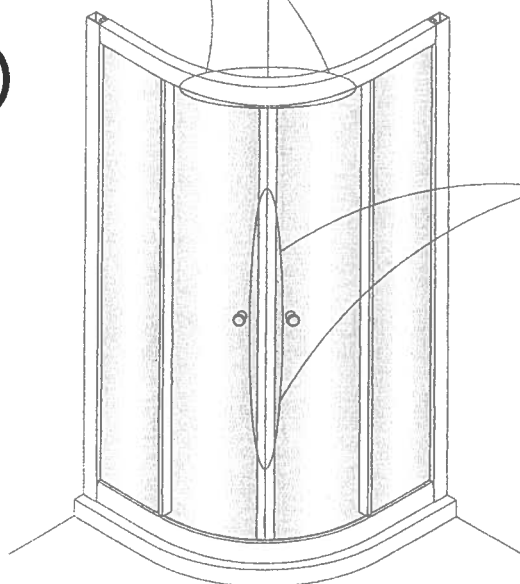
⑧



Inside



⑨



10

