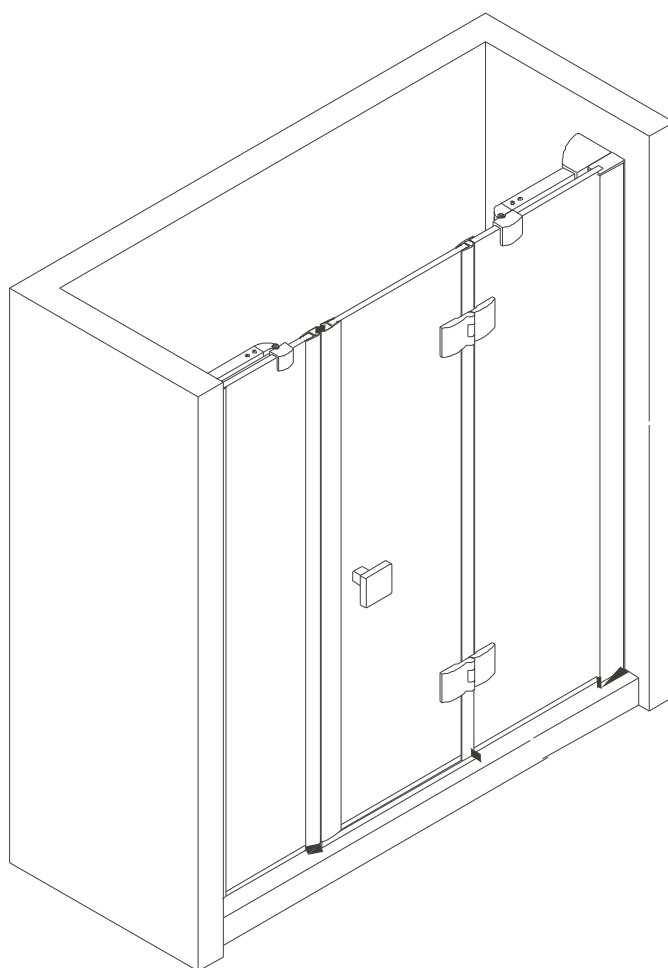




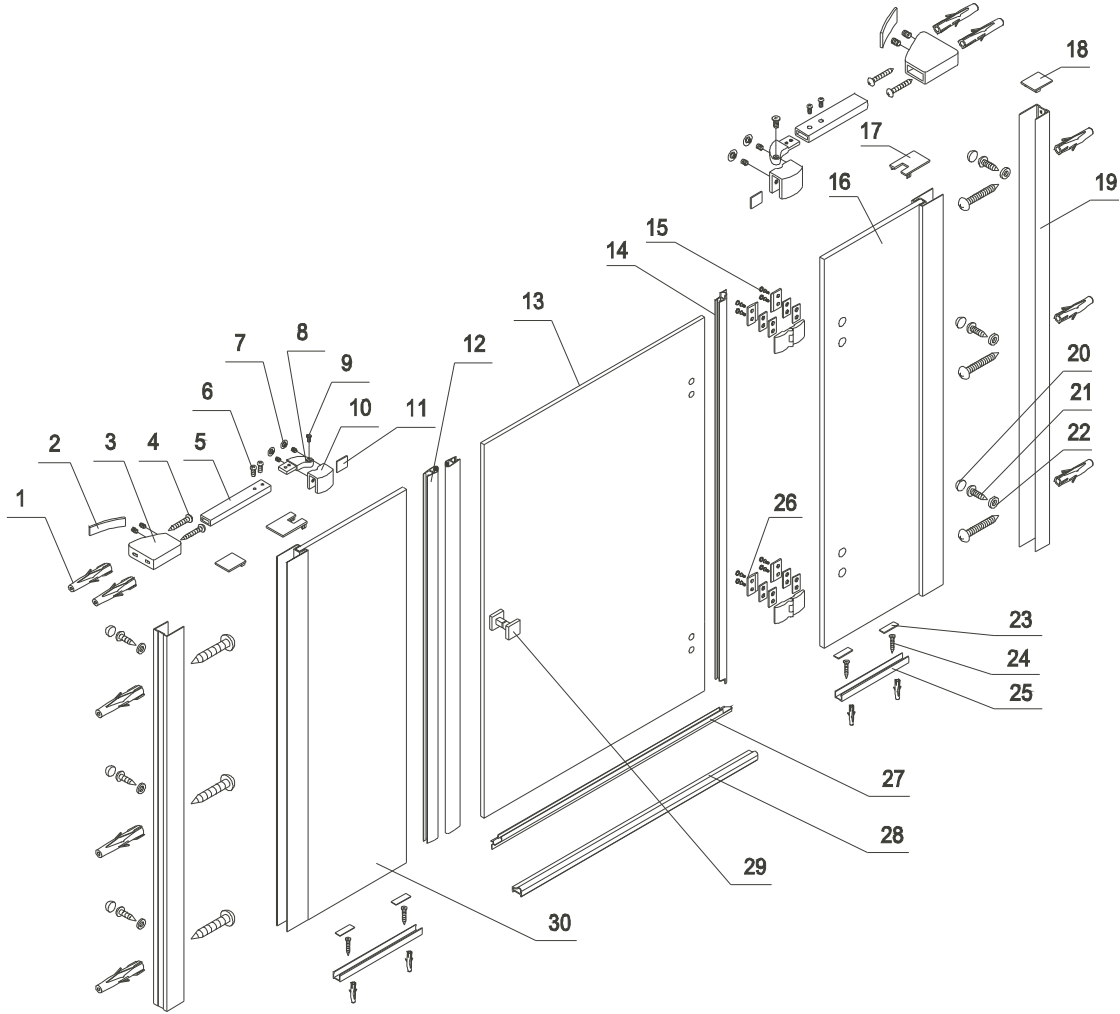
ZEN 60 INSTALLATION



6835, RUE PICARD
SAINT-HYACINTHE (QUÉBEC) J2S 1H3
CANADA

TELEPHONE : 450 774-5699
FAX : 450 773-2086
SANS FRAIS: 1 855 774-5699
/ TOLL FREE
alcove.ca

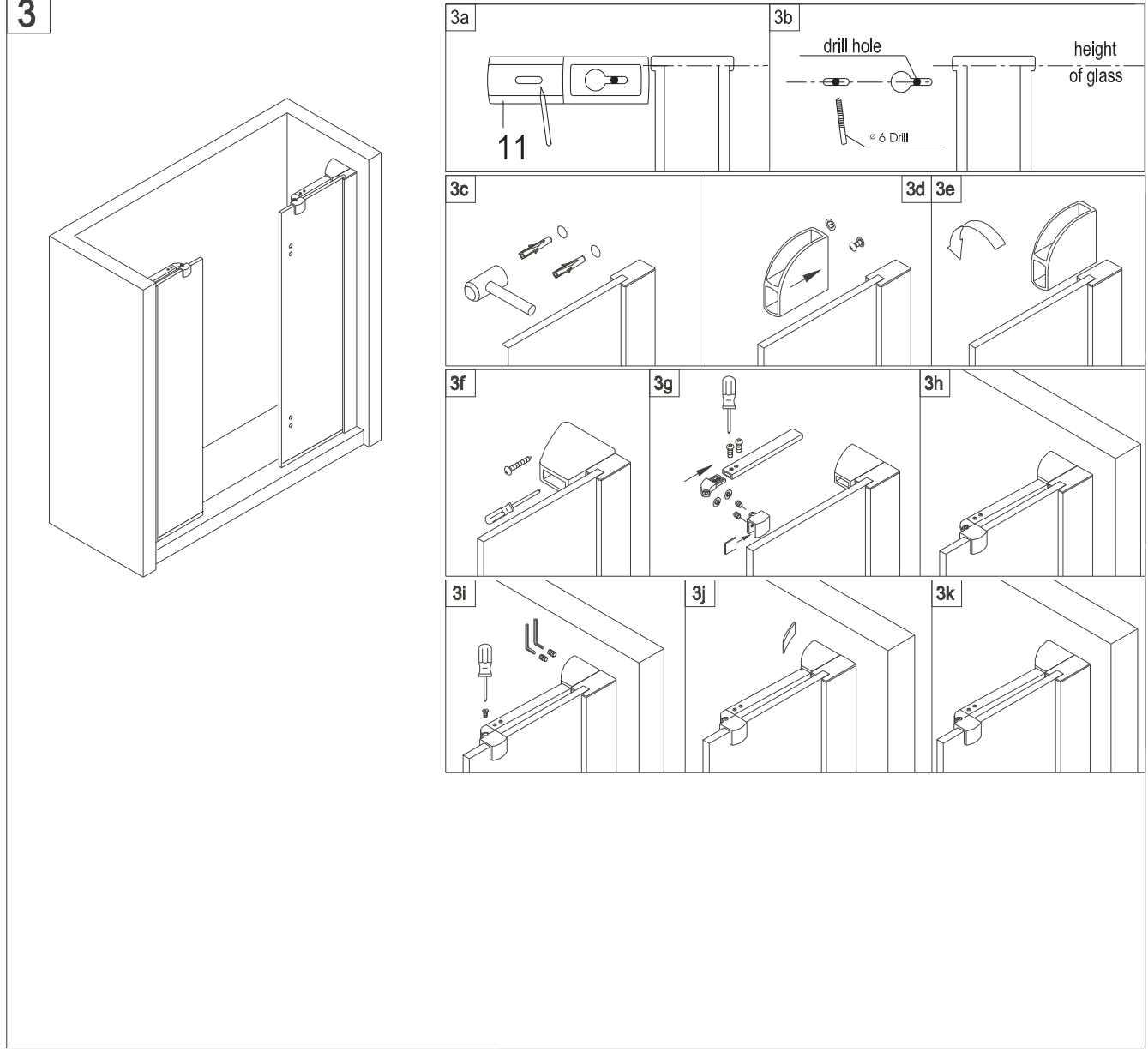
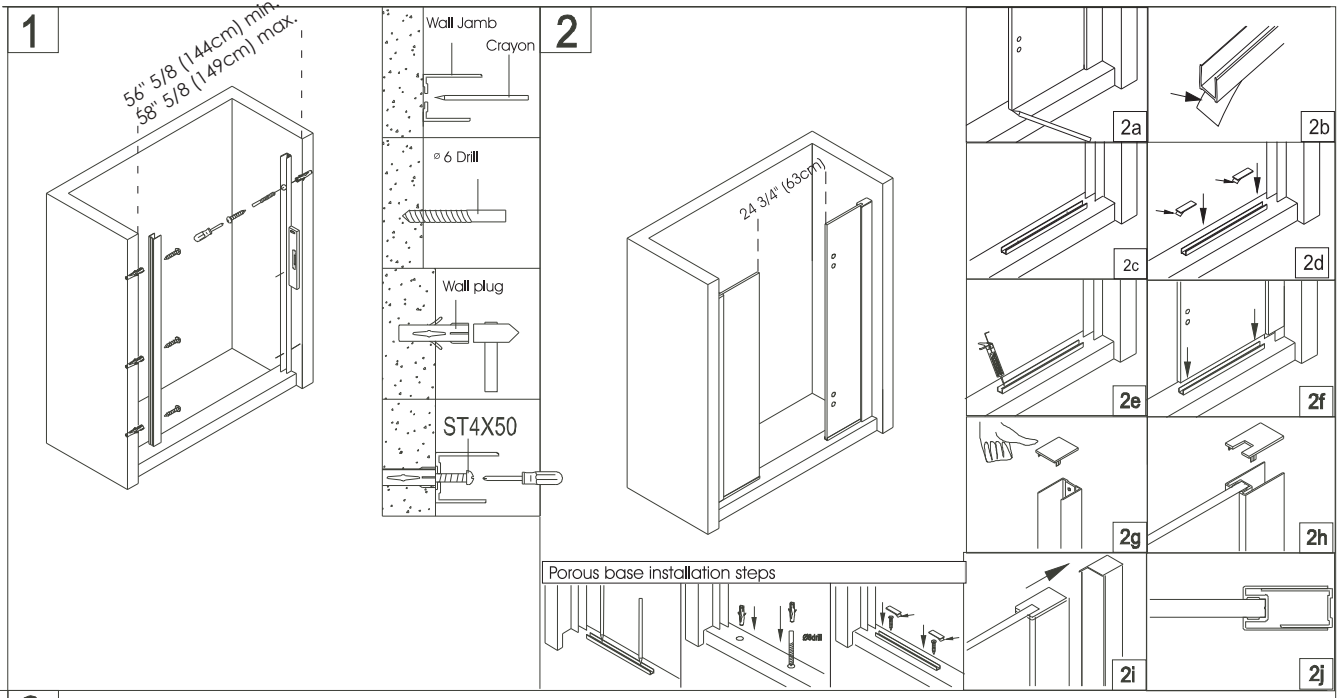
ZEN60 INSTALLATION

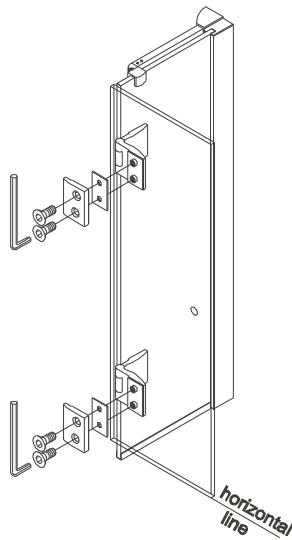
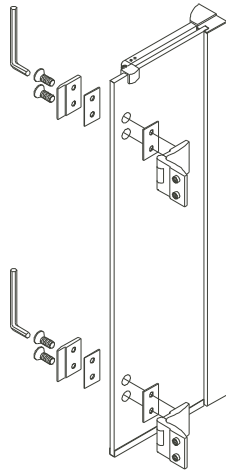
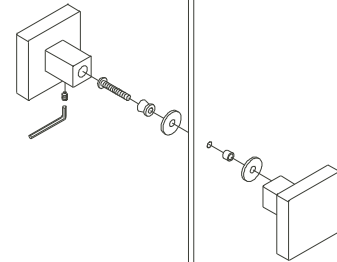


1. Inspect the contents :

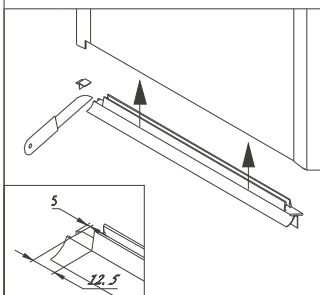
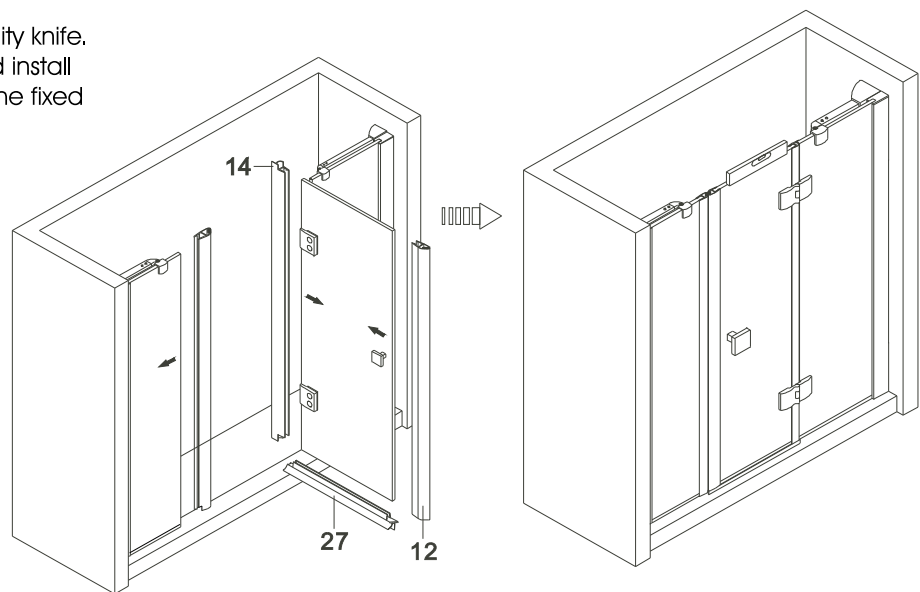
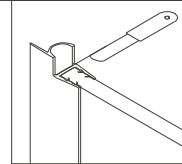
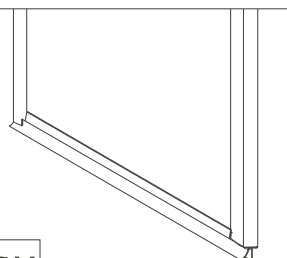
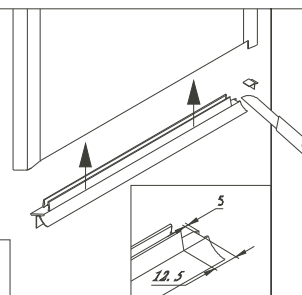
Please read these installation instructions carefully before attempting to install the product. Our showers undergo several quality control checks but should anything be missing or damaged please contact your supplier. Ensure the shower tray is level before beginning.

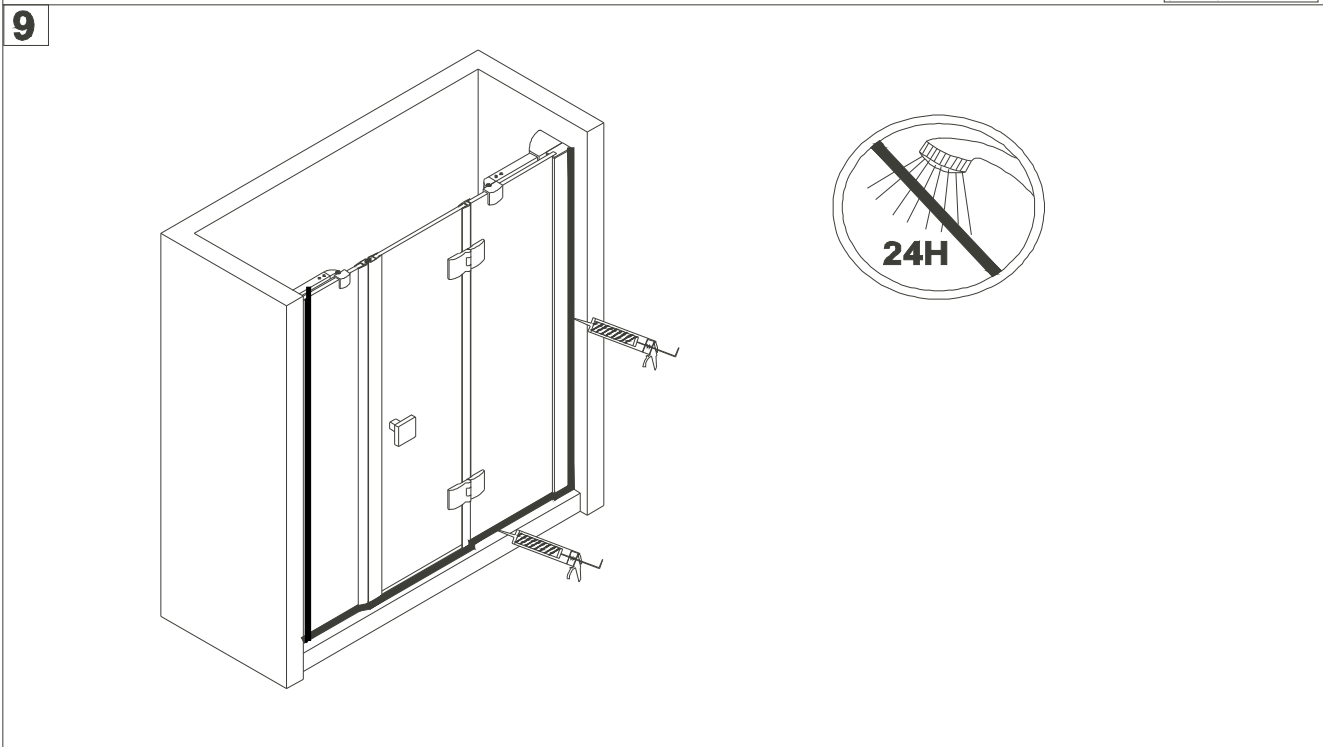
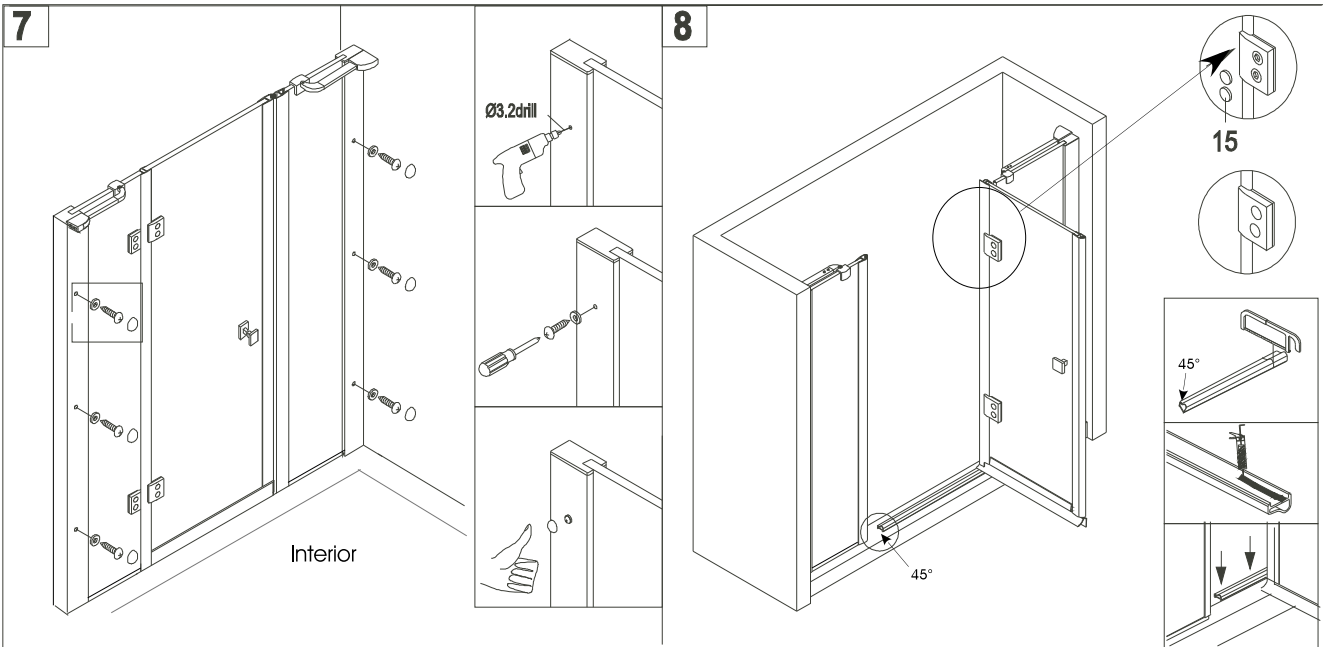
1 14X	2 2X	3 2X	4 10X ST4X50	5 2X	6 4X M6X10	7 4X	8 2X	9 2X M5X14	10 2X	11 2X
12 2X	13 1X	14 1X	15 8X	16 1X	17 2X	18 2X	19 2X	20 6X	21 6X ST4X12	22 6X
23 4X	24 4X ST3.5X25	25 2X	26 2X	27 1X	28 1X	29 1X	30 1X			
33 1X 4mm	34 1X 3mm	35 1X 2.5mm								



4**5****6**

Install the magnetic strip #12 on the edge of the door panel.
 Level the door and after remove the magnetic strip.
 Adjust the position of the door panel by loosening and tightening the hinges.
 Install on the hinge side edge of the door the water seal #14.
 Trim excess water seal with a utility knife.
 Replace the magnetic strip and install the second magnetic seal on the fixed panel.
 Trim off any excess.
 Install the door sweep.

**RH RH****LH****LH**



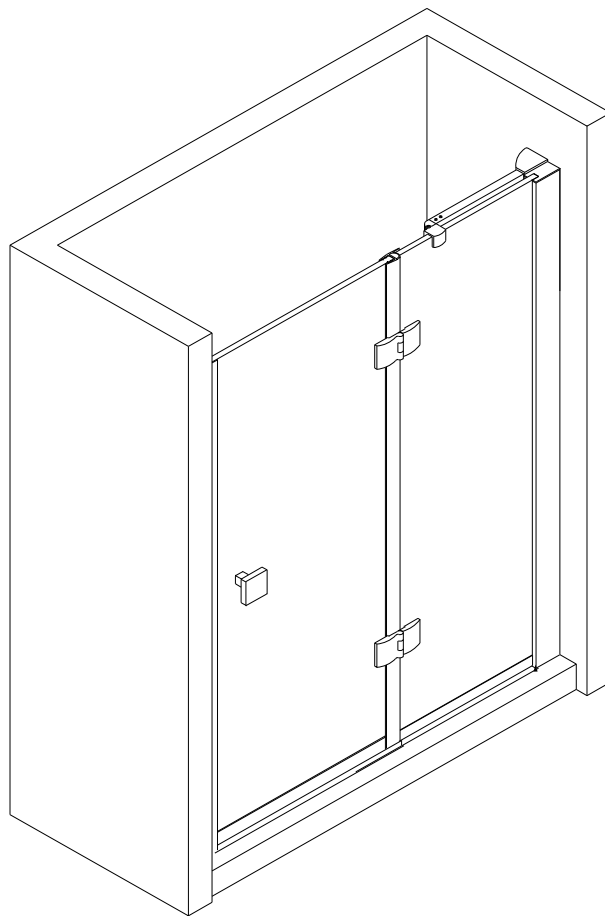
Care Instructions :

- Do not use your shower enclosure within 24 hours after assembly.
- Never use caustic cleaning products or abrasive material when cleaning your shower enclosure.

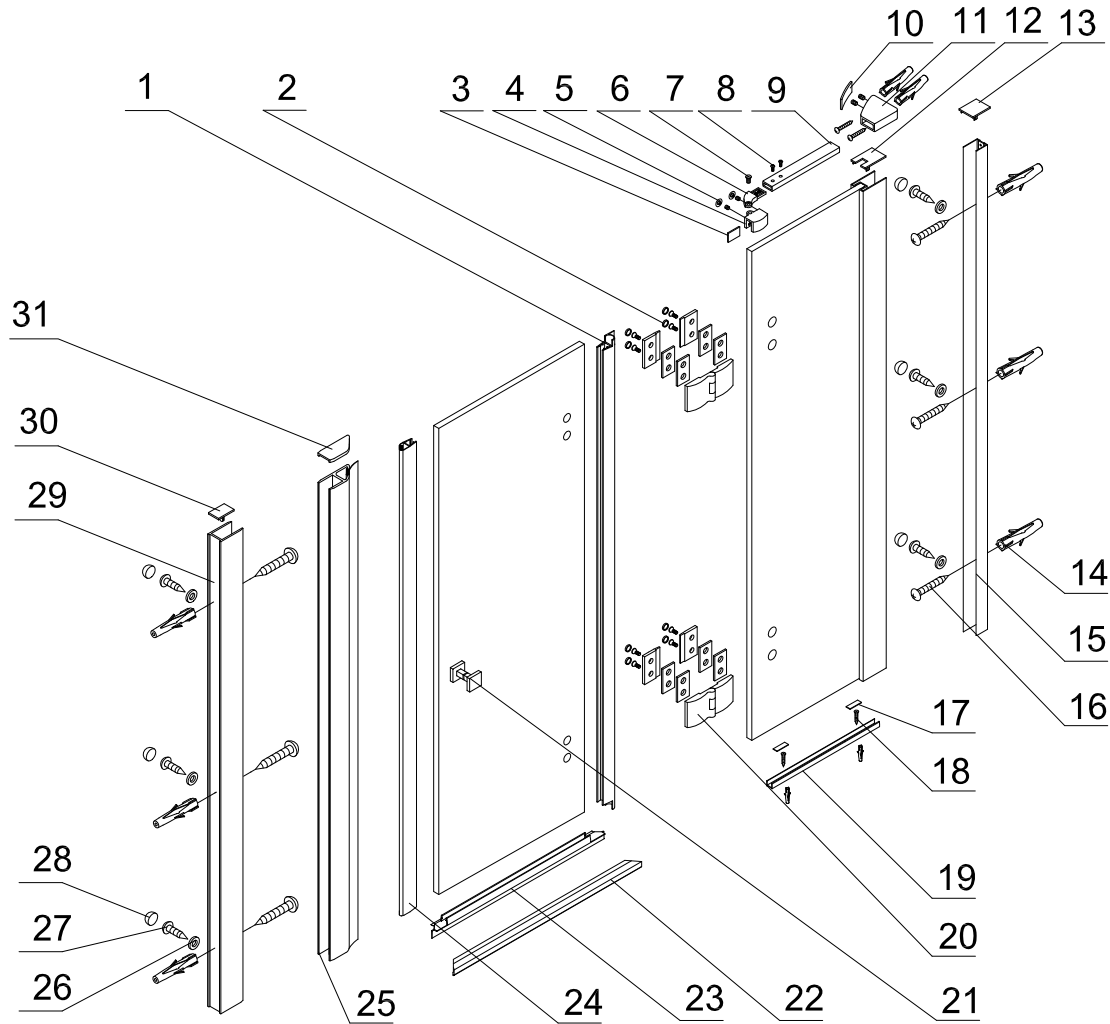


Produits Neptune

ZEN 36 / 48 INSTALLATION



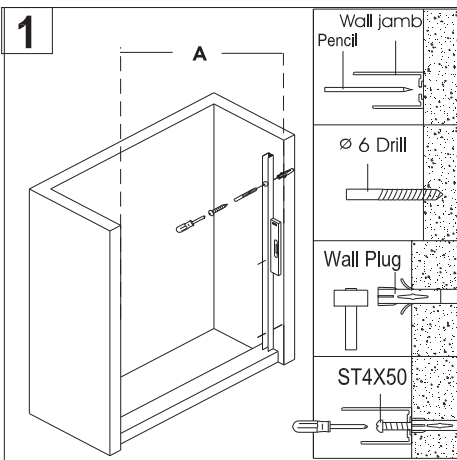
ZEN 36/48 INSTALLATION



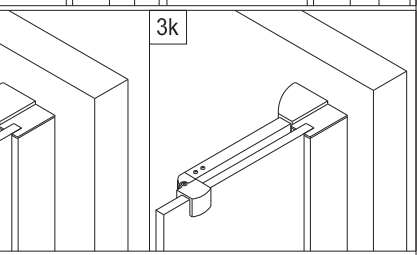
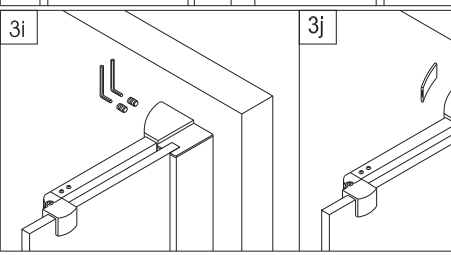
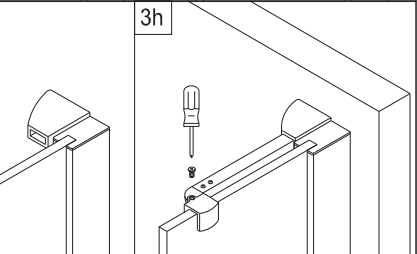
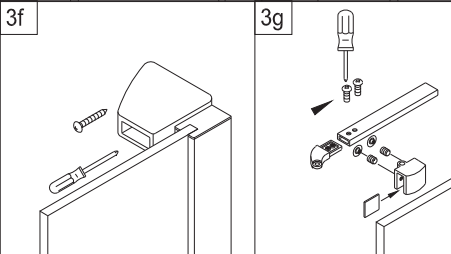
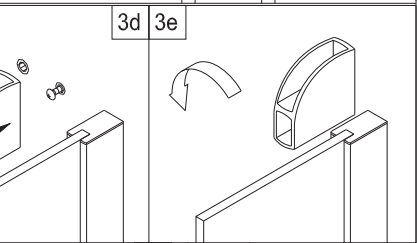
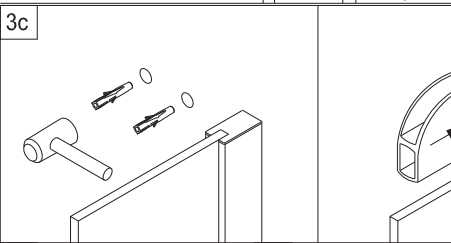
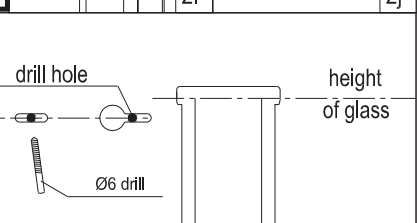
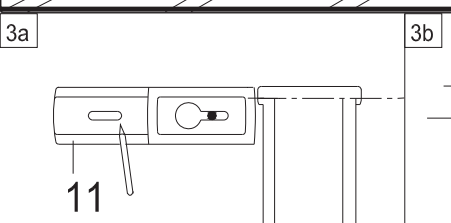
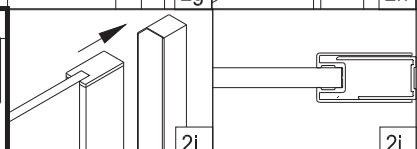
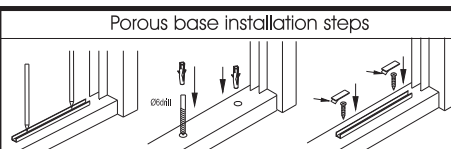
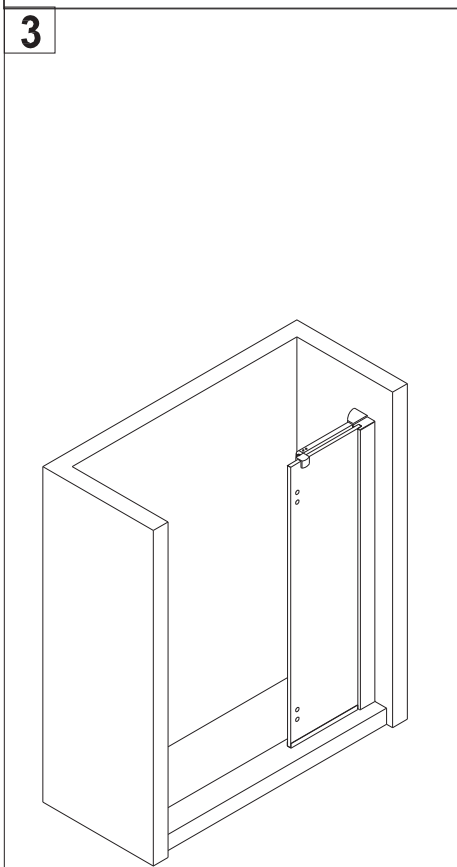
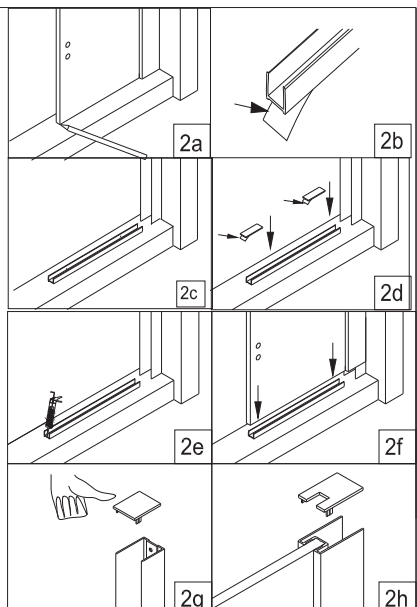
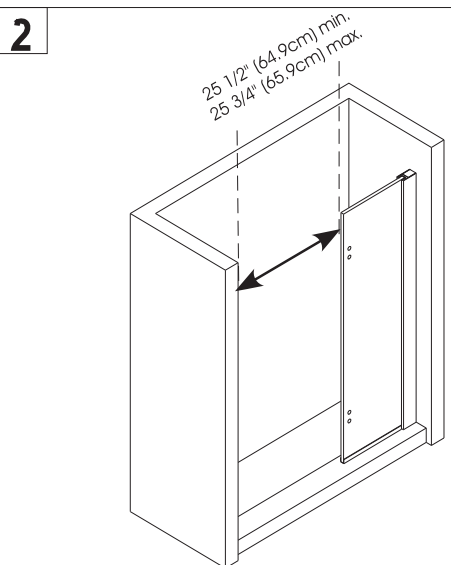
1. Inspect the contents :

Please read these installation instructions carefully before attempting to install the product. Our showers undergo several quality control checks but should anything be missing or damaged please contact your supplier. Ensure the shower tray is level before beginning.

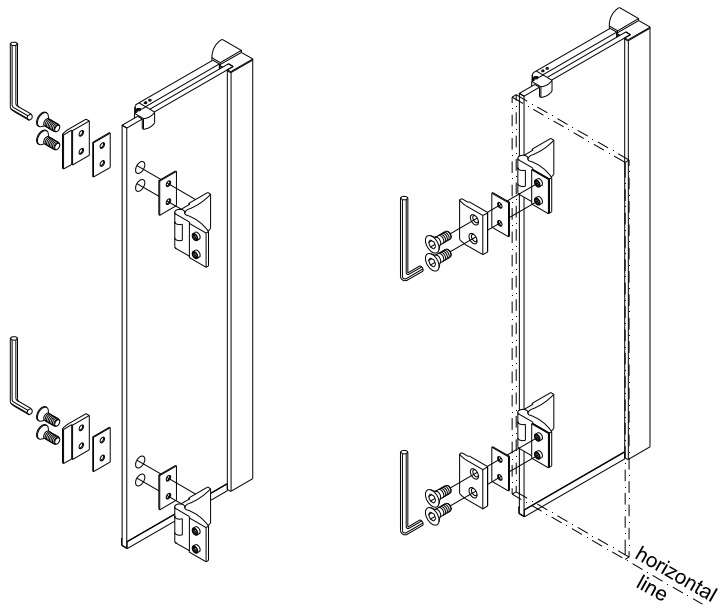
1 1X 	2 8X 	3 1X 	4 1X 	5 2X 	6 1X 	7 1X M5X14 	8 2X M6X10 	9 1X 	10 1X 	11 1X
12 1X 	13 1X 	14 10X 	15 1X 	16 8X ST4X50 	17 2X 	18 2X ST3.5X25 	19 1X 	20 2X 	21 1X 	22 1X
23 1X 	24 1X 	25 1X 	26 6X 	27 6X ST4X12 	28 6X 	29 1X 	30 1X 	31 1X 	32 1X 	
33 1X 4mm 	34 1X 3mm 	35 1X 2.5mm 								



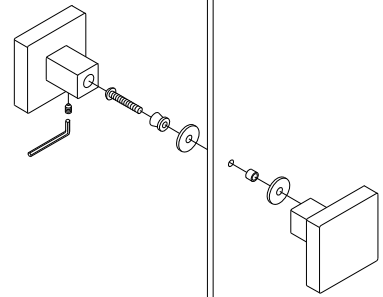
Model	A
36	33" 7/8 (86cm) min. 35" (88.9cm) max.
48	45 3/8" (115.4 cm) min. 46 1/2" (118.1 cm) max.



4

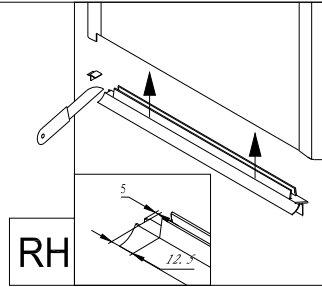
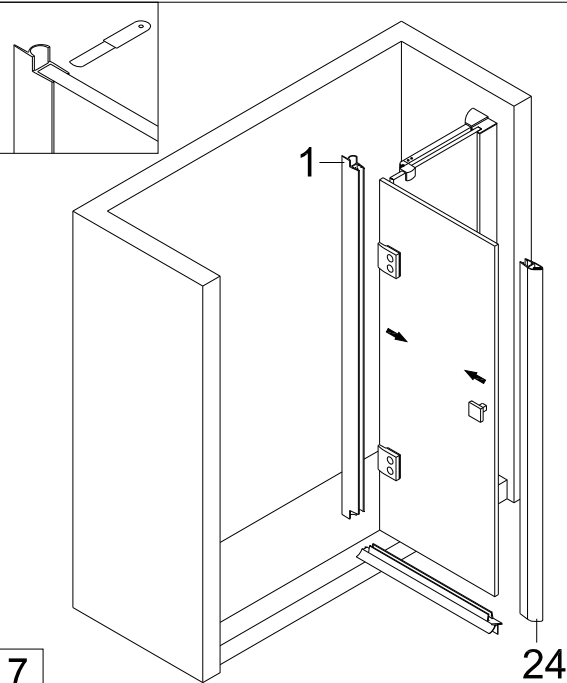
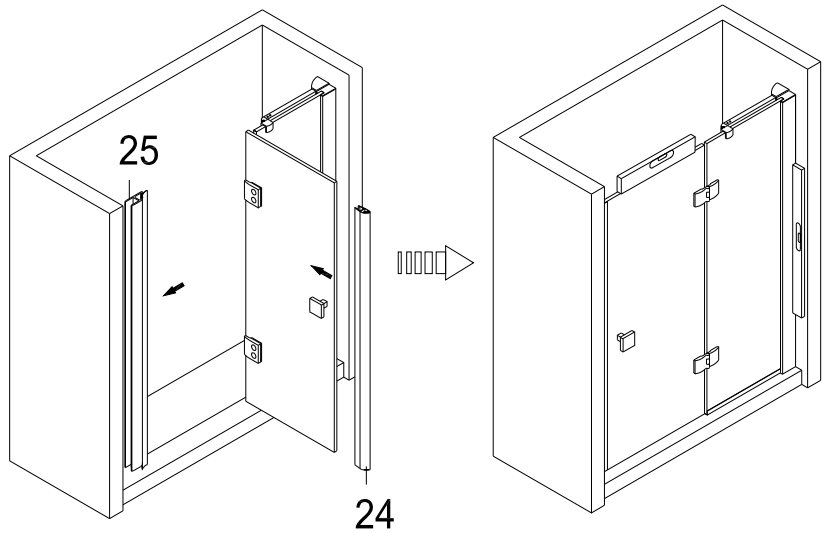


5

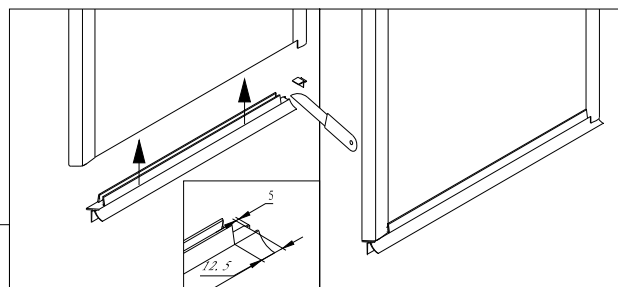


6

Install the magnetic strip #3 on the edge of the door panel.
 Level the door panel and after remove the magnetic strip.
 Adjust the position of the door panel by loosening and tightening the hinges.
 Install on the hinge side edge of the door the water seal #1.
 Trim excess water seal with a utility knife.
 Replace the magnetic strip and install the second magnetic seal on the fixed panel.
 Trim off any excess.
 Install the door sweep.



RH

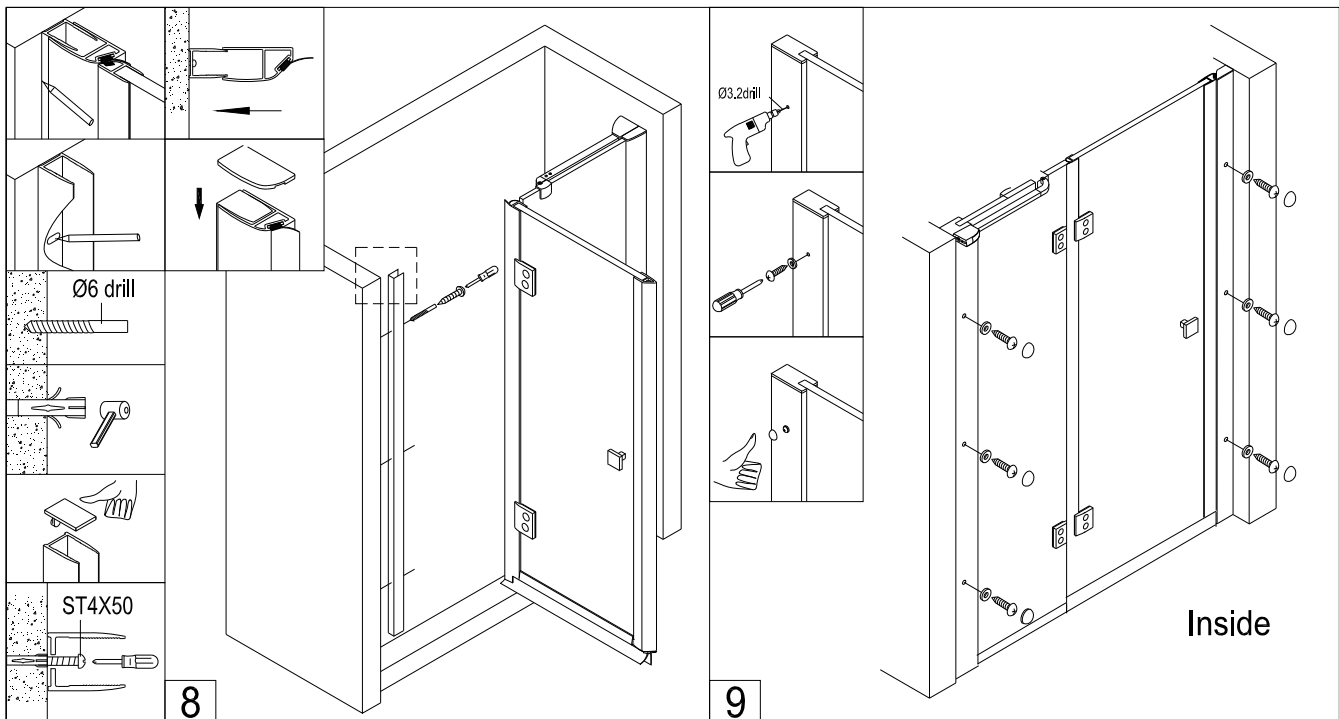


LH

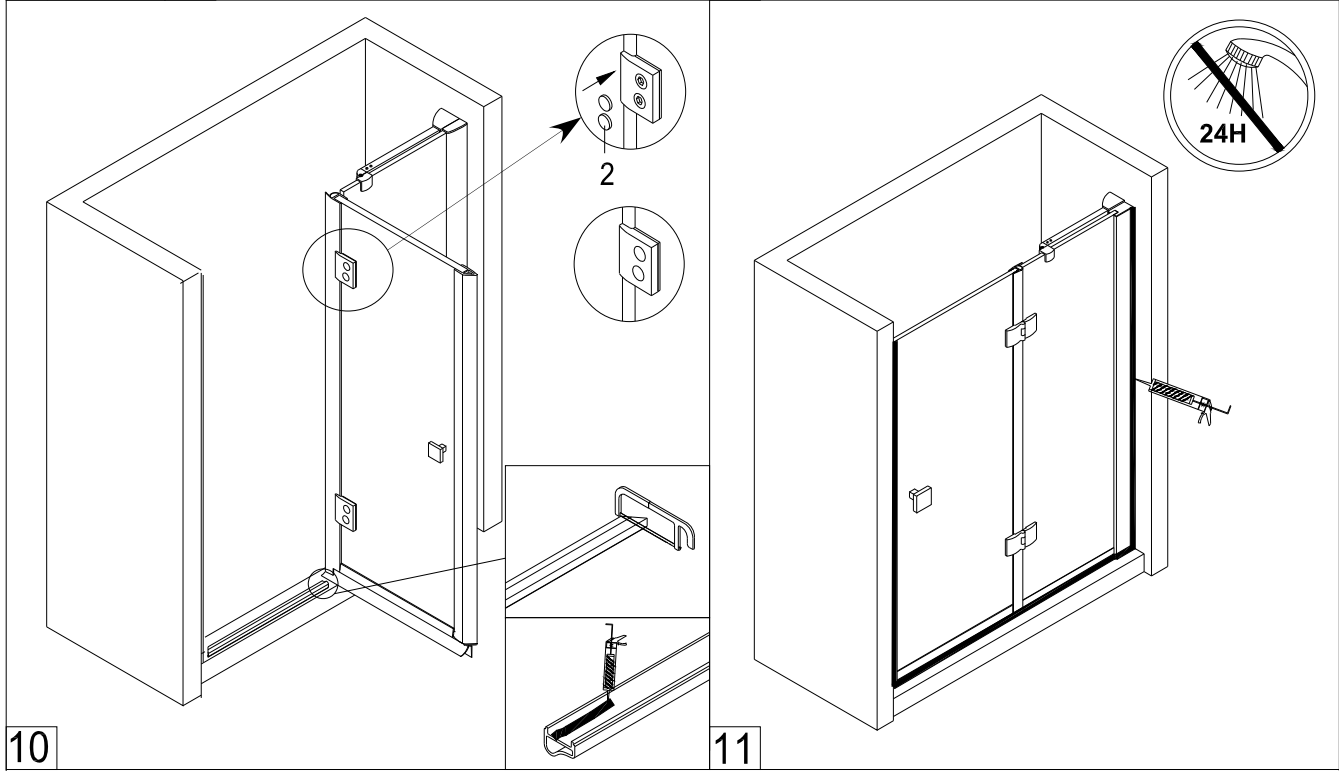
7

24

3



Inside



Care Instructions :

- Do not use your shower enclosure within 24 hours after assembly.
- Never use caustic cleaning products or abrasive material when cleaning your shower enclosure.



Neptune QUALITY

This logo certifies that your bath has been inspected and/or tested (bath with system(s)) by our specialists and that it is compliant with our high Neptune quality standards.

Warnock-Hersey/CSA LISTED

All our products and their components have received Warnock-Hersey or CSA certification, which attests to their quality and reliability.

UPC

IAPMO: All our porcelain products have received UPC certification.

WARRANTY

Each Neptune product has been subjected to rigorous quality controls and we guarantee that it conforms to the highest quality standards. In order to ensure a trouble-free installation, we strongly recommend that you read the installation manual and our warranty terms joined with the product carefully before beginning any work. Our warranty covers parts and labour for repair only and does not cover additional costs related to defective product development.

BATHTUBS & SHOWERS

ACRYLIC SHELL: Limited lifetime warranty against manufacturing defects.

SYSTEMS:

Limited 10-year warranty (pieces and labor) against manufacturing defects; Jets, pipes, fittings, electronics (keypads, pumps, inline heaters, blowers, black box, remote controls, ozonator, wiring, etc.) and leaks related to manufacturing defects.

Limited 5-year warranty against manufacturing defects related to colored jet trims inside the bathtub.

OPTIONS

BODY JETS:

Limited 2-year warranty against manufacturing defects;

Limited 10-years warranty covering leaks related to manufacturing defects.

Limited 2-year warranty against manufacturing defects related to colored jet trims inside the shower.

VALVES: See warranty for faucets.

WOOD TRIM:

Limited 1-year warranty against manufacturing defects.

GENERAL: Mood light, Chromotherapy, Chromo +, NEPTUNER, Neck Pillows, Handles and other options.

Limited 5-year warranty against manufacturing defects for all parts (except the 12V light bulb (part of the Mood Light kit).

METAL and FORGED IRON :

Limited 5-year warranty against manufacturing defects.

DOORS

Limited 10-year warranty against manufacturing defects, covers parts other than all gaskets, magnets & installation hardware which have a 1-year warranty against manufacturing defects.

TOILETS

PORCELAIN:

Limited 5-year warranty against manufacturing defects.

PARTS:

Limited 5-year warranty against manufacturing defects for parts inside tank; Limited 1-year warranty for installation hardware.

SEATS:

Limited 1-year warranty against manufacturing defects.

SINKS

Limited 1-year warranty against manufacturing defects.

FAUCETS and DRAINS

Limited lifetime warranty against manufacturing defects on all parts including cartridges.

Limited lifetime warranty for chrome or gold finish; 5-year warranty for brushed nickel finish.

FANS

Limited 3-year warranty against manufacturing defects, including heat lamps.

IMPORTANT!

- If a showroom product is sold, the warranty period begins on the date of purchase from Neptune by the retailer.
- For commercial use, all products have a one-year warranty against manufacturing defects.

