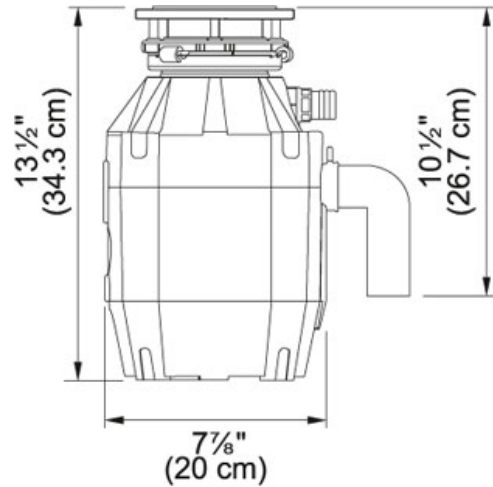


Waste disposers | 134.0482.018

FAMILY : **Waste Management** | SERIE : **Waste disposers** | FINISH : **other** | INSTALLATION TYPE : **Built-in liner** | MODEL : **FWDJ50**



Cleaning up after meals gets a whole lot easier with a state-of-the-art waste disposer from Franke. These energy efficient and environmentally friendly waste disposers are superior in every way from price to performance. They take less time to do the job, grind to septic system compatible levels of fineness and use less energy. Bio Shield Antimicrobial agents molded into the internal components of the disposers inhibit the growth of bacteria and reduce odors, while a sound insulated shell keeps them quiet. Now you can safely and hygienically wash food scraps away.

TECHNICAL DATA

RPM 2600

Horse Power 1/2 HP

* Continuous Feed models may require Air Switch (several models available) and Controller WD9088

Length overall 13 1/2"

Power Connection Included

Shell INSULATED

Where to buy Showroom

Width overall 8 11/16"

FAMILY : **Waste Management** | SERIE : **Waste disposers** | FINISH : **other** | INSTALLATION TYPE : **Built-in liner** | MODEL : **FWDJ50**

RECOMMENDED



112.0073.934



112.0073.916



112.0073.923



112.0073.921



112.0073.920



112.0073.918
