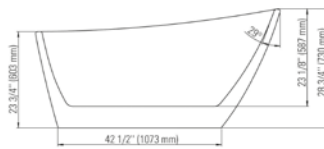
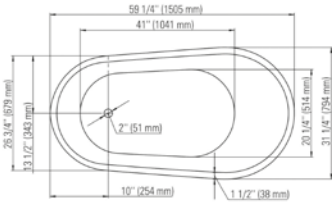
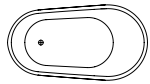


# MALAGA 3260

59 1/4" x 31 1/4" x 28 3/4" [55 gallons]

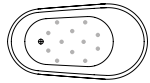


24-48 hrs



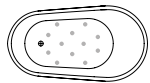
Bathtub only

MAL3260F1



Mass-Air  
Included: 12 injectors, 750W (1 1/2h.p.) Optima blower, with 300W heating element, 72" blower hose extension, and remote control.

MAL3260F1M



Rouge-Air  
Included: 12 micro-jets, 750W (1 1/2h.p.) Optima blower, with 300W heating element, 72" blower hose extension, and remote control.

MAL3260F1A

## GENERAL OPTIONS

Overflow and waste included: Chrome

Acrylic Colour: White

Standard

Bathtub drain adapter (picture below)

Black neck pillow

White overflow and drain kit (available January 1, 2017)

## MASS-AIR / ROUGE-AIR OPTIONS

Mass-Air Jet finish: White/Chrome

Standard

Others: Chrome/Chrome

96" blower hose extension

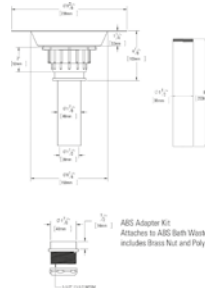
A blower hose extension is required when the blower is located more than 4' from the bathtub.

## BATHTUB DRAIN ADAPTER

D-111 (123 Connect) is a floor drain adapter designed to facilitate the installation of freestanding bathtubs (must be installed before tiles are laid).

Designed to be installed in a 8" to 10" joist space.

Can be installed with a waterproofing membrane



CONFORMITY ATTESTATION  
Bathtub Standards  
CAN / CSA.B45.5  
Hydromassage Standard  
CAN / CSA.B45.10 / CSA.C22.2 / UL-1795



ECORESPONSABLE Certification  
First manufacturer of bathroom products in North America to be certified ecoresponsible



Produits Neptune  
Rouge

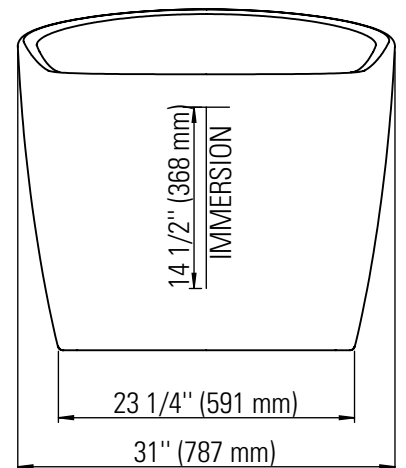
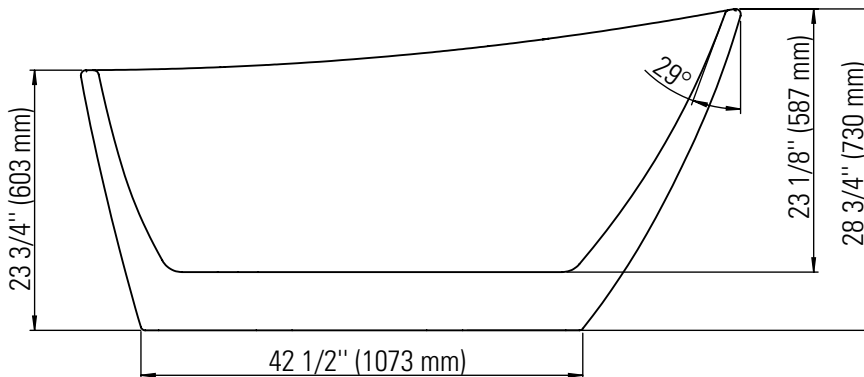
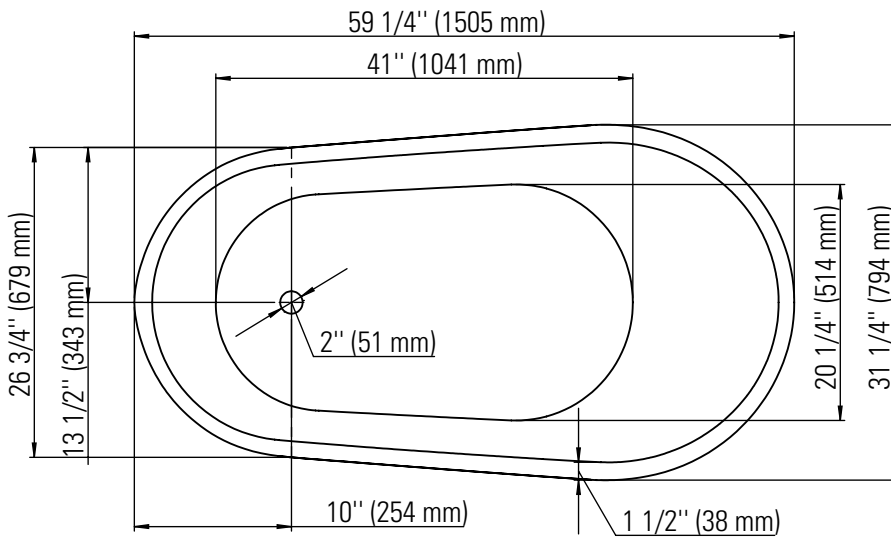
6635, Picard street, Saint-Hyacinthe (Québec) J2S 1H3  
Phone: (450) 773-7058 - Fax: (450) 773-5063  
produitsneptune.com



Produits Neptune  
Rouge

# MALAGA 3260F1

Bathtub



\*\*All dimensions are approximate and subject to change without notice  
Please refer to the installation guide before beginning the installation

6835 PICARD STREET  
SAINT-HYACINTHE, QUEBEC J2S 1H3  
CANADA

PHONE 450 773 7058  
FAX 450 773 5063  
TOLL-FREE CANADA 1 888 226 7099  
TOLL-FREE USA 1 888 226 7899

[produitsneptune/rouge.com](http://produitsneptune/rouge.com)

05-2016