

WIND

59 7/8" x 35 7/8" x 21"



PRODUCT DESCRIPTION:

5 days

Corner bathtub
Adjustable feet
Contemporary style
Gloss finish resistant to stains and discoloration
Acrylic thermoformed and reinforced with fiberglass

WATER CAPACITY: 56 gallons	IMMERSION: 14 3/4 po
BOX SIZE: 63 1/2" X 43 1/2" X 22"	
NET WEIGHT: 74 lbs	GROSS WEIGHT: 91 lbs

The pump will protrude 6"

GENERAL OPTIONS

Acrylic Colors: White	Standard
Biscuit* and Bone* (Allow 3 weeks delivery)	
Others*: (Allow 6 to 8 weeks delivery)	
Available in right or left version (integrated tiling flange)	
Integrated skirt	
Chromotherapy 1 light (Specify trim color)	17.99999.0000.00
Chromotherapy 2 lights (Specify trim color)	17.99999.0001.00
Chromotherapy 4 lights (Specify trim color)	17.99999.0002.00
Handle (max. 2) (submit drawing with order)	95.7077.106.XX
D105 Waste (20") Chrome	62.4020.102.60
Gel black neck pillow (12"x 4 1/4 x 1 1/4")	18.6000.100.20
Rayola** (Specify control color)	

WHIRLPOOL OPTIONS

A bathtub fitted with back jets may cause the pump to protrude by +/- 3" from the overall dimension.

Whirlpool Jet finish: Chrome, White, Biscuit, Bone	Standard
110v Inline Heater	

MASS-AIR/ACTIV-AIR OPTIONS

Mass-Air Jet finish: White/Chrome	Standard
Biscuit/Chrome	
Bone/Chrome	
Others: Chrome/Chrome	
Activ-Air Jet finish: Chrome, White, Biscuit, Bone	Standard
Blower Hose extension 36"	95.5013.116.00
Blower Hose extension 72"	95.5013.167.00
Blower Hose extension 96"	95.5013.168.00
144" Extension cord	95.3012.101.00

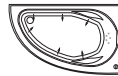
An extension cord and blower hose extension are necessary when the blower is located more than 2' from the electronic control, not available on whirlpool combos.

*Customized products, non cancellable, non returnable.
**Not available with a neck pillow.



Bathtub only

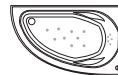
WI60



Whirlpool

WI60T

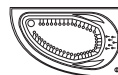
Included: 6 turbo jets, 5 micro-rotating back jets, 13 A pump, diverter valve and electronic control.



Mass-Air

WI60M

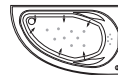
Included: 14 (9-5) injectors, Optima blower 750W (1 1/2h.p.) with 300W heating element and backlit electronic control.



Activ-Air

WI60A

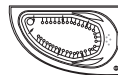
Included: 41 micro-jets, Optima blower 750W (1 1/2h.p.) with 300W heating element and backlit electronic control.



Mass-Air/Whirlpool Combo

WI60C

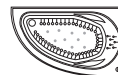
Included: 6 turbo jets, 5 micro-rotating back jets, 9 Mass-Air injectors, 13 A pump, Optima blower 750W (1 1/2h.p.) with 300W heating element, diverter valve and backlit electronic control.



Activ-Air/Whirlpool Combo

WI60CA

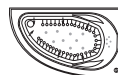
Included: 6 turbo jets, 5 micro-rotating back jets, 37 Activ-Air micro-jets, 13 A pump, Optima blower 750W (1 1/2h.p.) with 300W heating element, diverter valve and backlit electronic control.



Mass-Air/Activ-Air Combo

WI60CMA

Included: 41 Activ-Air micro-jets, 9 Mass-Air injectors, two Optima blowers 750W (1 1/2h.p.) with 300W heating element and backlit electronic control.



Activ-Air/Mass-Air/Whirlpool Combo

WI60TAM

Included: 6 turbo jets, 5 micro-rotating back jets, 37 Activ-Air micro-jets, 9 Mass-Air injectors, 13 A pump, two Optima blowers 750W (1 1/2 h.p.) with 300W heating element, diverter valve and backlit electronic control.



COMPLIANCE ATTESTATION
Standard bathtubs
CAN / CSA.B45.5
Hydromassage Standards
CAN / CSA.B45.10 / CSA.C22.2 / UL-1795



Certification ECORESPONSIBLE
First manufacturer of bathroom products in North America to be certified ecoresponsible.



Produits Neptune

6835, Picard street, Saint-Hyacinthe (Quebec) J2S 1H3
Phone: (450) 773-7058 - produitsneptune.com

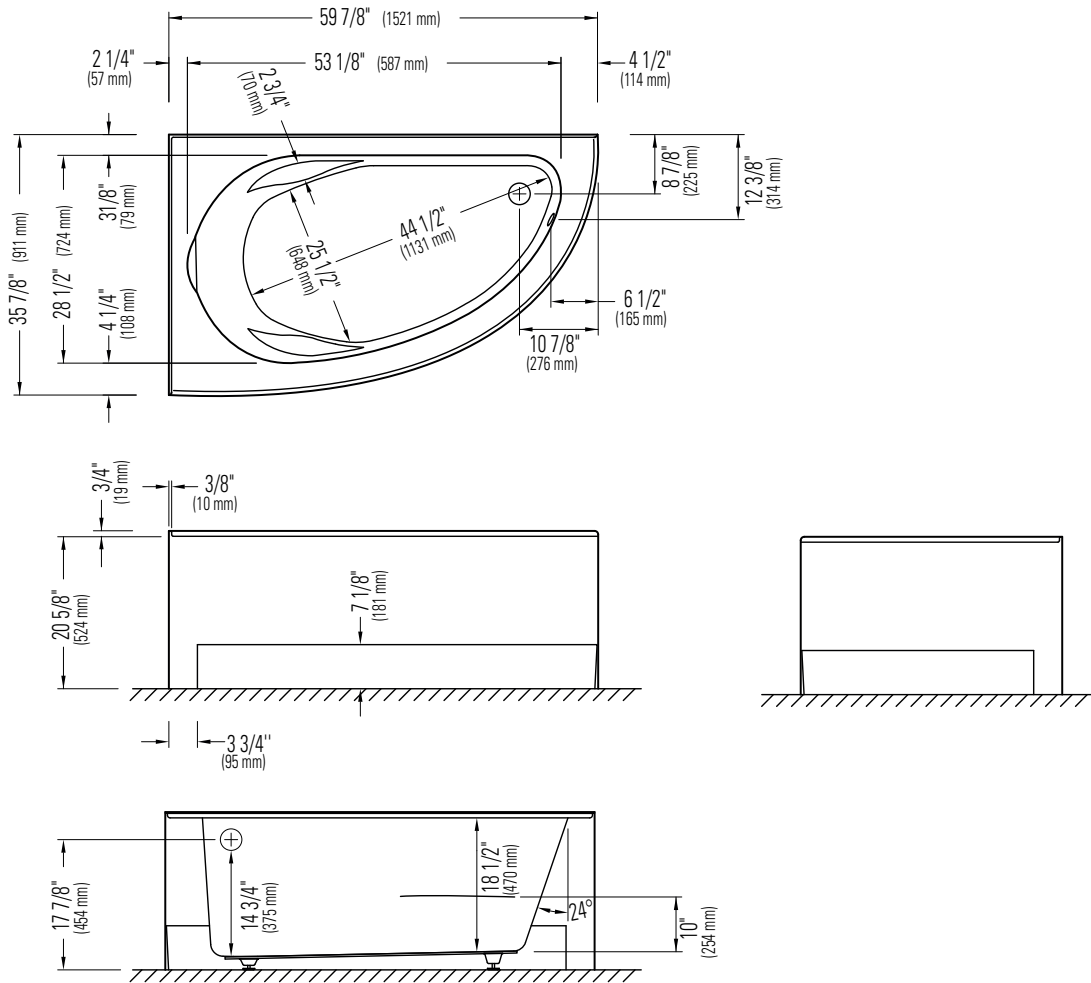
REV: 01-21

Intertek



Produits Neptune

WIND RIGHT DRAIN Bathtub



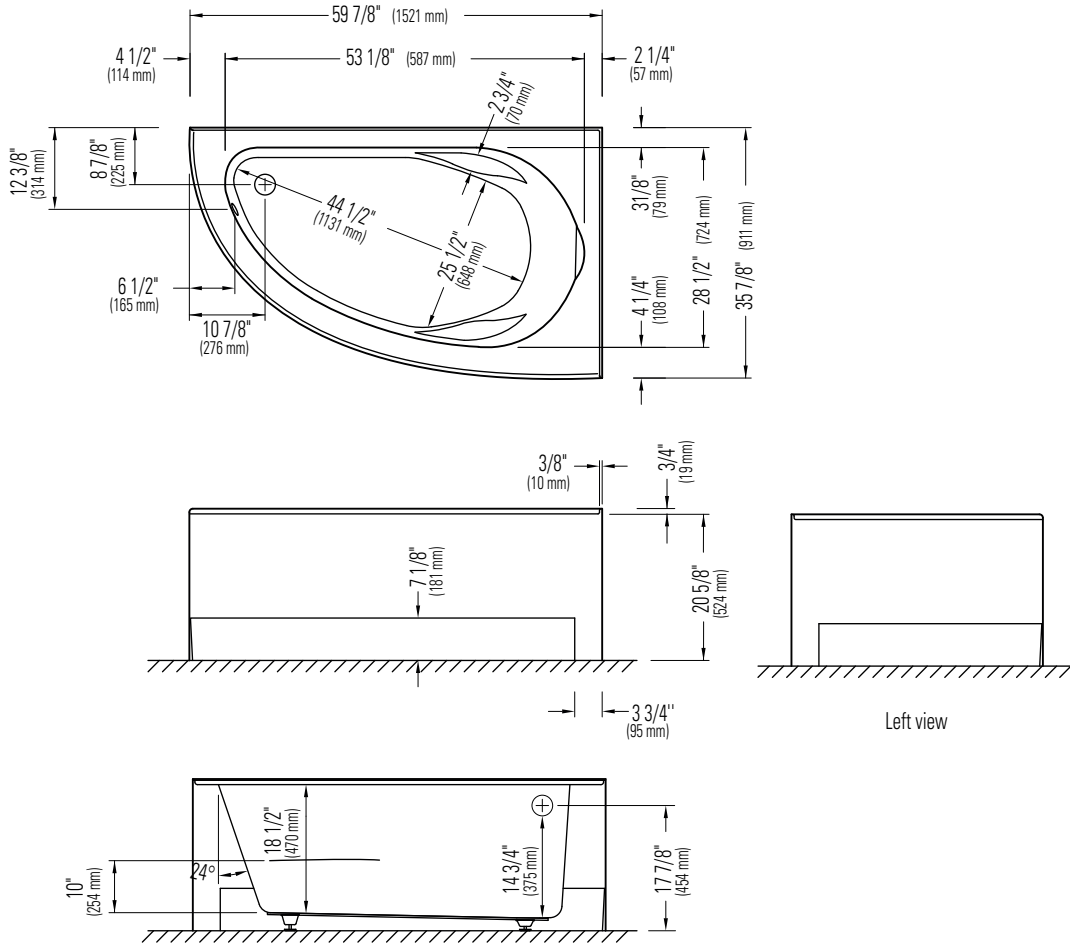
*A bathtub fitted with back jets can cause the pump to protrude by approximately 6" from the overall dimension.

**All dimensions are approximate and subject to change without notice. Please refer to the installation guide before beginning the installation



Produits Neptune

WIND LEFT DRAIN Bathtub



Left view

*A bathtub fitted with back jets can cause the pump to protrude by approximately 6" from the overall dimension.

**All dimensions are approximate and subject to change without notice. Please refer to the installation guide before beginning the installation