

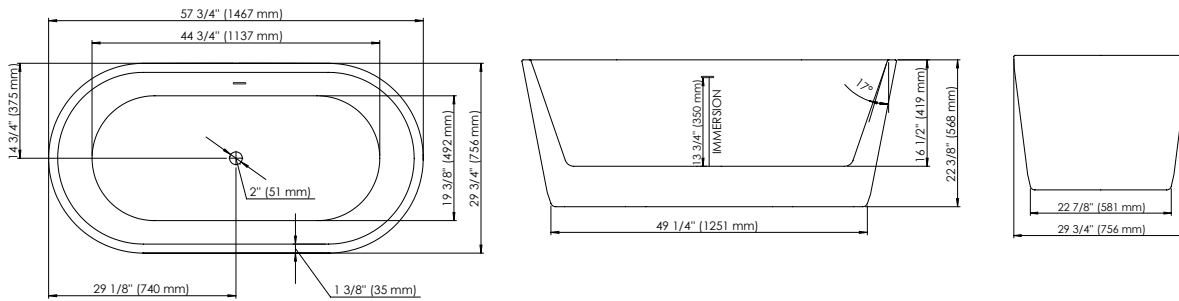
MONACO F1 3060

57 3/4" x 29 3/4" x 22 3/8"



PRODUCT DESCRIPTION:	
Adjustable feet Contemporary style Above-the-floor rough (AFR) Integrated linear overflow and drain kit included, chrome	
WATER CAPACITY:	IMMERSION:
55 gallons	13 3/4 po
BOX SIZE:	
60" x 31" x 24"	
NET WEIGHT:	GROSS WEIGHT:
83 lbs	105 lbs

24-48hrs
5 days



- Bathtub only **MON3060F1**
- Mass-Air **MON3060F1M**
Included: 12 injectors, 750W (1 1/2h.p.) Optima blower, with 300W heating element, 72" blower hose extension, and remote control.
- Rouge-Air **MON3060F1A**
Included: 12 micro-jets, 750W (1 1/2h.p.) Optima blower, with 300W heating element, 72" blower hose extension, and remote control.

GENERAL OPTIONS
 Overflow and waste included: Chrome
 Acrylic Colour: White Standard
 Bathtub drain adapter (picture below)

Gel black neck pillow
 White, brushed nickel or black overflow and drain kit

MASS-AIR / ROUGE-AIR OPTIONS
 Mass-Air Jet finish: White/Chrome Standard
 Others: Chrome/Chrome

96" blower hose extension
 A blower hose extension is required when the blower is located more than 4' from the bathtub.

BATHTUB DRAIN ADAPTER

123Connect is a freestanding bathtub rough-in (install before tile).

- Quick, easy and clean installation.
- No access panel required.
- Allows for an installation as close to the wall as possible.



LINEAR OVERFLOW



Intertek
CONFORMITY ATTESTATION
 Bathtub Standards
 cUPC
 Hydromassage Standard
 CAN / CSA.B45.10 / CSA.C22.2 / UL-1795

ECORESPONSABLE Certification
 First manufacturer of bathroom products in North America to be certified ecoresponsible



Produce Neptune Rouge

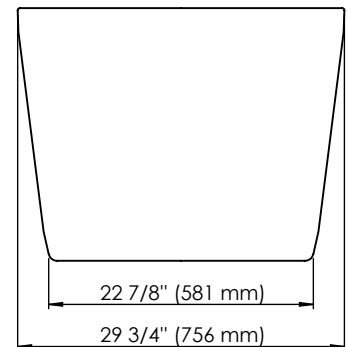
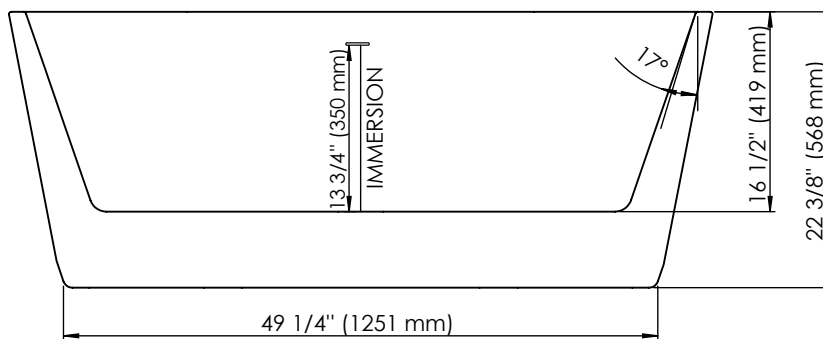
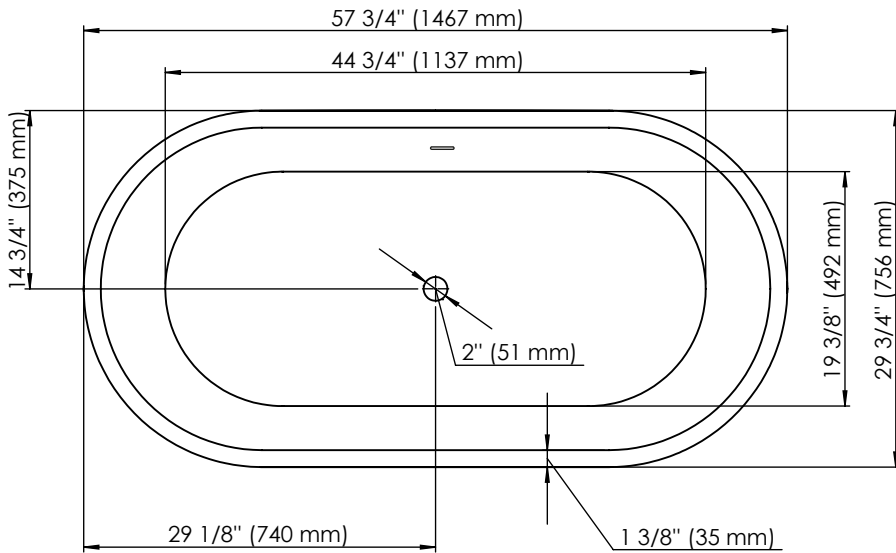
6835, Picard street, Saint-Hyacinthe (Québec) J2S 1H3
 Phone: (450) 773-7058 - produitsneptune.com



Produits Neptune
Rouge

MONACO 3060F1

Bathtub



Ajustable feet
Above-the-floor rough (AFR)

*All dimensions are approximate and subject to change without notice
Please refer to the installation guide before beginning the installation