

# OWNER'S MANUAL AMAZE

INSTALLATION • OPERATION MAINTENANCE •  
BATHTUB REPAIR  
ONE-PIECE FREESTANDING BATHTUB INSTALLATION



**Produits Neptune**

[produitsneptune.com](http://produitsneptune.com)

Do not discard. Save these instructions for further use.

# Table of Content

## INTRODUCTION

|                                    |   |
|------------------------------------|---|
| Important safety information ..... | 3 |
| Summary of precautions .....       | 3 |

## INSTALLATION

|   |   |
|---|---|
| Bathtub Installation – Preparation .....        | 3 |
| Required Tools .....                            | 3 |
| Required Materials .....                        | 3 |
| Installation of the bathtub and drain .....     | 4 |
| Installation of the drain .....                 | 4 |
| Installation of the faucet and components ..... | 4 |

## DRAIN DETAILS .....

5

## MAINTENANCE

|                        |   |
|------------------------|---|
| Regular cleaning ..... | 6 |
|------------------------|---|

## ACRYLIC REPAIR

|                           |   |
|---------------------------|---|
| Stains .....              | 6 |
| Small scratches .....     | 6 |
| Major damage repair ..... | 6 |

## TROUBLESHOOTING

|   |   |
|---|---|
| Important information to be conserved ..... | 7 |
|---|---|

## THE GUARANTEE .....

8

Thank you for choosing a quality Produits Neptune product. Your confidence in us is of paramount importance to the success of our company.

You are now the proud owner of a Produits Neptune bathtub, a premiere product that will provide you with years of pleasure and relaxation if installed and maintained correctly.

Please read the safety, installation and maintenance instructions found in this guide. We highly recommend installing this product with the assistance of a specialist, in accordance to local codes, guidelines and government regulations.

# Installation

## INSTALLATION OF BATHTUB: PREPARATIONS

Before installing a new Produits Neptune bathtub, we strongly recommend following the installation checklist and hiring a certified plumber to handle the installation.

- Visually inspect the bathtub to make sure it has not been damaged during transport. In case of damage, do not proceed with the installation.
- Make sure the bathtub is the model that you ordered, that its dimensions are correct and that the location of the drain corresponds to the plans.
- Ensure that the floor of the bathroom is level and it is able to withstand the weight of the bathtub once filled with water (about 450 kg or 1000 lb). THE FOUR LEGS OF THE BATHTUB SHOULD BE IN CONTACT WITH THE FLOOR.
- To protect the bathtub during installation, cut a piece cardboard in the package and place it in the bottom of the bathtub.
- If your bathtub has a protective plastic film, do not remove it before having finished the installation. If necessary, remove the film temporarily in order to install the drain, overflow and faucets. Also remove the film from where it may remain stuck, or lodged post installation. To remove the film, soak a cloth with isopropyl alcohol and wipe the entire surface of the adhesive film.
- If the bathtub is equipped with adjustable metal legs, they must first be installed by screwing them into the metal opening beneath the bathtub.




## REQUIRED TOOLS

- Level
- Punch (for faucet installation)
- Goggles
- Tape Measure
- Caulking Gun

## REQUIRED MATERIALS

- Silicone bathroom caulking (mildew resistant)

## IMPORTANT SAFETY INFORMATION

-  **CAUTION: Always be prudent when using your bathtub and electrical appliances.**
-  **CAUTION: Risk of injury or material damage.**  
Please read all instructions before beginning installation, including the requirements stated below.  
  
Follow all recommendations and plumbing codes.
-  **DANGER: Risk of drowning for children.** To reduce the risk of accidental drowning, do not let children use the bathtub unattended.

## SUMMARY OF PRECAUTIONS

It is strongly recommended that you follow these guidelines:

- Do not operate electrical appliances (telephone, television, radio, hairdryer, etc..) within 1.5 meters (5 ft) of the bathtub.
- Never leave children unattended in the bathtub.
- To avoid damaging the finish of the bathtub, do not use abrasive cleaners.
- The water temperature must not exceed 40° C (104° F). Bathtub water in excess of these temperatures may be hazardous to one's health.
- It is important to mix essential oils in a glass with water prior to introduction into the bathtub. Improper use could cause damage to the bathtub. Please read the instructions before use.

## INSTALLATION OF THE BATHTUB AND DRAIN

1. Clear and clean the space around where the bathtub will be positioned so as to avoid damage to the bathtub during installation.
2. Check the level and the strength of the floor where the bathtub will be positioned. The floor must be sufficiently level so as to allow achieve a horizontal level by means of adjusting shims. A bathtub filled halfway with water can weigh up to 450 kg (1000 lb) and the floor must be strong enough to support this weight.
3. The basic installation of plumbing (pipes and drain/water supply) must be performed by a qualified plumber prior to installation of the bathtub.
4. **If the valves require installation on the outer edge of the bathtub, follow the installation thereof as per steps 12 and 13 of this guide (bathtub faucet installation).**
5. Temporarily set the bathtub in its intended location, ensuring that the drain hole is aligned to the floor drain and then draw the contour of the bathtub on the ground. If the floor drain is not installed yet, trace its location through the hole of the bathtub, then move the bathtub to a safe place, so as to install floor drain according to guidelines. Re-position the bathtub and ensure that the trace lines are followed.
6. Check the level and adjust if necessary by screwing or unscrewing the legs beneath the bathtub (maximum adjustment of 1 3/4" - 44 mm) and ensuring that the bathtub is always resting on all four legs while minimizing the space between the skirt and the floor (the skirt can rest on the floor but shall in no way support the weight the bathtub).
7. Lock the bathtub legs into position by tightening the adjoining nut once an accurate acceptable level is confirmed.
8. Lay the bathtub on it's side having previously laid cardboard packaging the ground to protect the surface of the bathtub. Be sure to use a piece of cardboard without staples to avoid damaging the surface the bathtub.
9. Temporarily install the drain assembly of the bathtub by referring to Installation section of the drain and starting with setting of the overflow valve.
10. Place the bathtub back into position on the previously traced outline while ensuring that the drain end fits into the floor drain and it is held in place for the next step.
11. Unscrew the rings of the overflow valve and then lift bathtub and lay it on it's side making sure not to move the drain, specifically the floor drain.
12. Tighten the seal ring of the floor drain to the end the drain.
13. Apply a bead of silicone to the entire circumference of the skirt and the bathtub legs. We also recommend setting circle of silicone to seal the drain and overflow.
14. Place four (4) pieces of wood 3/4" thick inside the footprint on which to temporarily rest the bathtub.
15. Raise the bathtub and then put it back down again, ensuring alignment over the vertical drain, without moving the drain and making sure the bathtub rests on the wooden blocks.
16. Remove the wooden blocks one by one to correctly place the bathtub in its resting place aligned to the drain.
17. Screw the rings of the overflow and drain by tightening properly.
18. If necessary, add silicone to the location of the pieces of wood, clean surplus and erase the trace marks on the ground.
19. Let stand at least 24 hours before use.

## DRAIN INSTALLATION

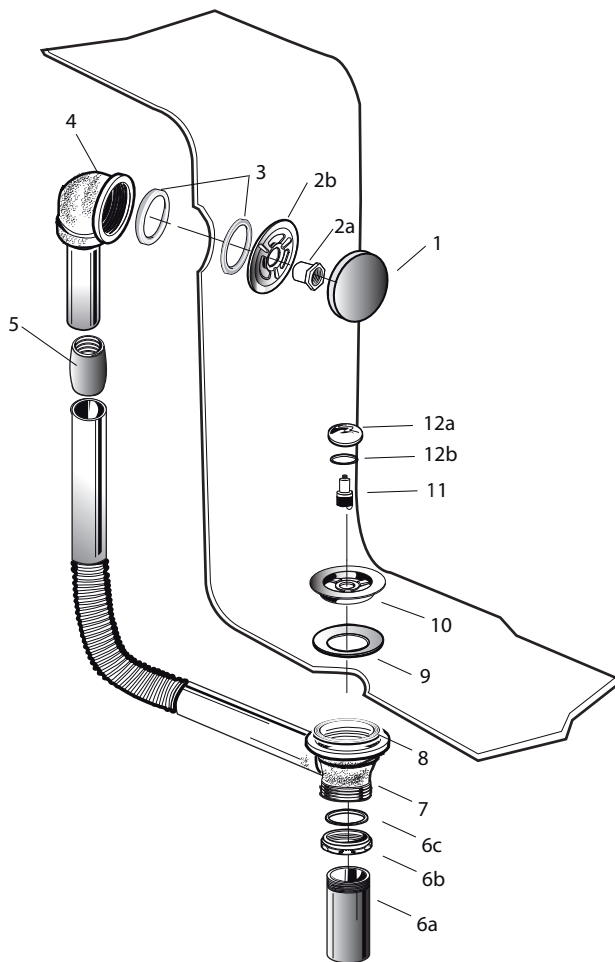
Bend the copper tubing into the area provided for this purpose, proceeding in small increments to avoid creating creases or flexure. Align the bathtub properly between the drain hole and the overflow valve. If necessary cut the tube to the overflow so as to adjust the positioning of the drain elbows (7) and overflow valve (4) to the holes of the bathtub. Place the drain into the bathtub, temporarily tighten the different parts taking care not to damage the seals and then proceed with the remaining installation steps. It is possible that the seals (3 & 9) are insufficient for certain bathtub models, in these cases, use silicone to complement the seals for final installation. Make sure to tighten all parts properly so as to prevent leakage or breakage.

## INSTALLATION OF FAUCET COMPONENTS ON THE BATHTUB

1. Before drilling into the bathtub, verify that the valve body is not too large to move between the bathtub and the skirt. Validate that the body will not touch and rest against the inside of the skirt.
2. Check to ensure there is no impeding of the overflow valve after installation.
3. Validate the level of the bells on the slopes drip bathtub.
4. Mark the location of the bells on the bathtub.
5. Drill with a sharp bit at least 3/8" (10mm) depth and a diameter slightly greater than the valve body.
6. Drill slowly so as not to melt the acrylic.
7. Install valves following the installation guide.
8. Do not over tighten the taps on the bathtub in order to avoid damaging the acrylic.
9. Connect flexible hoses to the water supply with sufficient slack. Ensure that they do not end up pinched beneath the skirt or legs of the bathtub.
10. Perform a water test before the final stages of installation of the bathtub.

# AMAZE

## Drain



- 1 - Overflow face plate
- 2a - Overflow bolt
- 2b - Overflow tie plate
- 3 - Overflow gaskets
- 4 - Overflow elbow (assembly)
- 5 - Rubber collar
- 6a - 1 1/2 " brass tailpiece
- 6b - Tailpiece nut
- 6c - Washer
- 7 - Waste elbow (assembly)
- 8 - Waste washer
- 9 - Putty ring
- 10 - Strainer
- 11 - Plug lifting assembly
- 12a - Plug
- 12b - Plug gasket

# Maintenance

## ROUTINE CLEANING

To protect the finish of the acrylic Produits Neptune bathtub, it must be cleaned with non abrasive cleaners for bathtubs and sinks, such as Spic and Span liquid or detergent designed specifically for acrylic. NEVER USE CLEANERS CONTAINING ABRASIVES SUCH AS VIM, AJAX, COMET, NOR SHOULD YOU USE SOLVENTS, OR PRODUCTS CONTAINING PETROLEUM.

# Acrylic Repairs

## STAINS

Use isopropyl alcohol to try to remove a particularly tenacious stain (isopropyl alcohol is toxic, please follow the safety instructions on the container and wear rubber gloves).

## SMALL SCRATCHES

Small surface scratches can be removed with common car waxes, such as (NuFinish, Meguiar) or a polishing paste ("compound").

## REPAIRS FOR HEAVY DAMAGE

Serious damage, including deep scratches, splinters and cracks, can often be repaired by a specialist that your Produits Neptune retailer can recommend.

# Troubleshooting

| PROBLEM                                       | SOLUTION   |
|---|--|
| There is still water around the drain         | Make sure the bathtub is level and resting firmly on its legs. (The bathtub has a slope flow.) Set the correct bathtub level by adjusting with the the legs. |
| The bottom of the bathtub moves during use    | The bathtub is not resting firmly on its legs. Make the bathtub level using the legs to adjust height, or use a bed of mortar.                               |
| The protective plastic film cannot be removed | Isopropyl alcohol can be used according to instructions in this guide.   |

## IMPORTANT INFORMATION

**Note: Always keep your original receipt**

Date of purchase: \_\_\_\_\_ Name of the retailer: \_\_\_\_\_

Description of the bathtub: \_\_\_\_\_

Serial number and model name on the Neptune logo: \_\_\_\_\_

# The Warranty

Our warranty does not cover damage caused by:

Lightning, fire, misuse, neglect, poor maintenance, thermal shock (flames, cigarettes, boiling water ...), damage following to delivery (contact from transport, handling ...), misuse, natural or chemical corrosion.

All alterations or modifications on a Produits Neptune bathtub automatically nullify all warranties. In the event of breakage, Produits Neptune must be informed within ten (10) days following the damage.

In keeping with manufacturer standards, the warranty is limited to the repair or replacement of the bathtub. No compensation may be claimed from the manufacturer resulting from loss of use, time, income, miscellaneous fees, inconvenience, materials, workmanship or any costs of removal or replacement of a defective product.

No other agreements or implicit promises are included in this warranty.

## PRODUITS NEPTUNE QUALITY

This logo certifies that your product has been inspected and tested by our specialists and that it meets high quality standards of Produits Neptune products.



## UPC

IAPMO:

All our products are UPC approved.



## WARRANTY BATHTUBS

Each Produits Neptune product was subjected to strict control processes and we guarantee that it meets the highest standards of quality. To ensure smooth installation, please read the user guide and warranty terms included with the product carefully before beginning any installation work. Our warranty covers parts and labour needed in a repair. Additional costs for the replacement of a defective product are not covered.

## BATHTUBS

ACRYLIC SHELLLED BATHTUB:

4 year limited warranty against manufacturing defects (workmanship).

DRAIN:

4 year limited warranty on chrome finish (parts).

### IMPORTANT!

- If a showroom product is sold, the warranty period begins on the date of purchase from Produits Neptune by the retailer.
- For commercial use, all products have a one-year warranty against manufacturing defects.