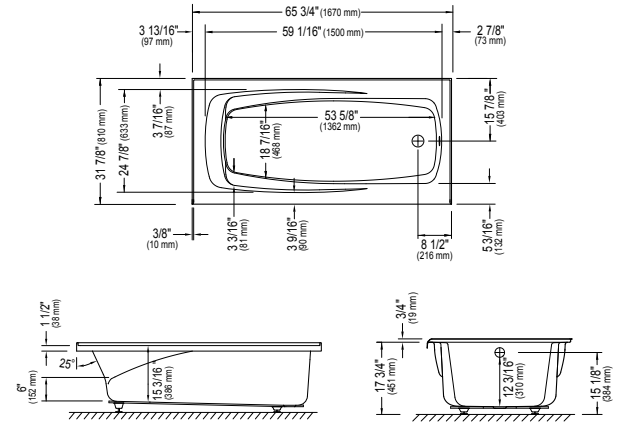


VELONA 3266

WITH INTEGRATED TILING FLANGE



65 3/4" x 31 7/8" x 17 3/4" [54 gallons]



VELONA SKIRT 66"



GENERAL SPECIFICATIONS

- Acrylic thermoformed and reinforced with fiberglass
- Gloss finish resistant to stains and discoloration
- Immersion 12 3/16" - Adjustable legs
- Weight: 54 pounds - Textured bottom

GENERAL OPTIONS

Acrylic colors: white biscuit* or bone* (allow 3 weeks for delivery)	
Available in left or right version (integrated tiling flange)	
66" Velona skirt (not factory-installed)	E12.16866.0000
White mood light: white, biscuit, bone or chrome finish	
Handle: white, biscuit, bone or chrome finish (max. 2) (submit drawing with order)	95.7077.106.XX
Drain D105 (20"): chrome finish	62.4020.102.60
Black neck pillow (12" x 4")	18.6000.100.20

WHIRLPOOL OPTIONS

Finish for Whirlpool jets: white, biscuit or bone
Other: chrome

Inline heater 110 V

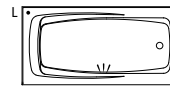
ACTIV-AIR OPTIONS

Finish for Activ-Air jets: white, biscuit or bone
Other: chrome

Blower hose extension 36"	95.5013.116.00
Blower hose extension 72"	95.5013.167.00
Blower hose extension 96"	95.5013.168.00

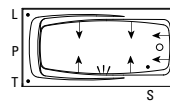
Blower extensions are necessary when the blower is located more than 4' from the pneumatic control.

DIMENSIONS ARE NOMINAL AND MAY VARY BY ± 1/4" (6MM).
 WEIGHT MAY VARY BY ± 5 LBS (2,3KG).
 DRAWING IS NOT SCALE. THESE DIMENSIONS MAY BE CHANGED AT THE MANUFACTURER'S DISCRETION.
 CONSULT THE INSTALLATION GUIDE FOR MORE INFORMATION.



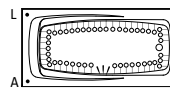
Bathtub only left drain
Bathtub only right drain

E10.16822.4500
E10.16822.4000



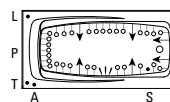
Whirlpool left drain
Whirlpool right drain
Included: 6 round jets, two air controls,
one 7.5 A (120 V) pump and one pneumatic control.

E15.16822.450030
E15.16822.400030



Activ-Air left drain
Activ-Air right drain
Included: 33 Activ-Air micro-jets, one blower
9.5 A (120 V) with heating element (200 W)
and one pneumatic control.

E15.16822.450010
E15.16822.400010



Whirlpool/Activ-Air combo
left drain
Whirlpool/Activ-Air combo
right drain
Included: 6 round jets, 32 Activ-Air micro-jets,
two air controls, one 7.5 A (120 V) pump, one blower
9.5 A (120 V) with heating element (200 W)
and two pneumatic controls.

E15.16822.450031
E15.16822.400031

→ : Whirlpool jets ○ : Activ-Air jets S : Suction
T : Whirlpool control A : Activ-Air control P : Pump
L : Light control ≡ : Mood light (option)

Note: The blower is never installed.



COMPLIANCE ATTESTATION
Standard bathtubs
CAN / CSA.B45.5
Hydromassage Standards
CAN / CSA.B45.10 / CSA.C22.2 / UL-1795



Certification ECORESPONSIBLE
First manufacturer of bathroom products in
North America to be certified ecoresponsible.



Produits Neptune

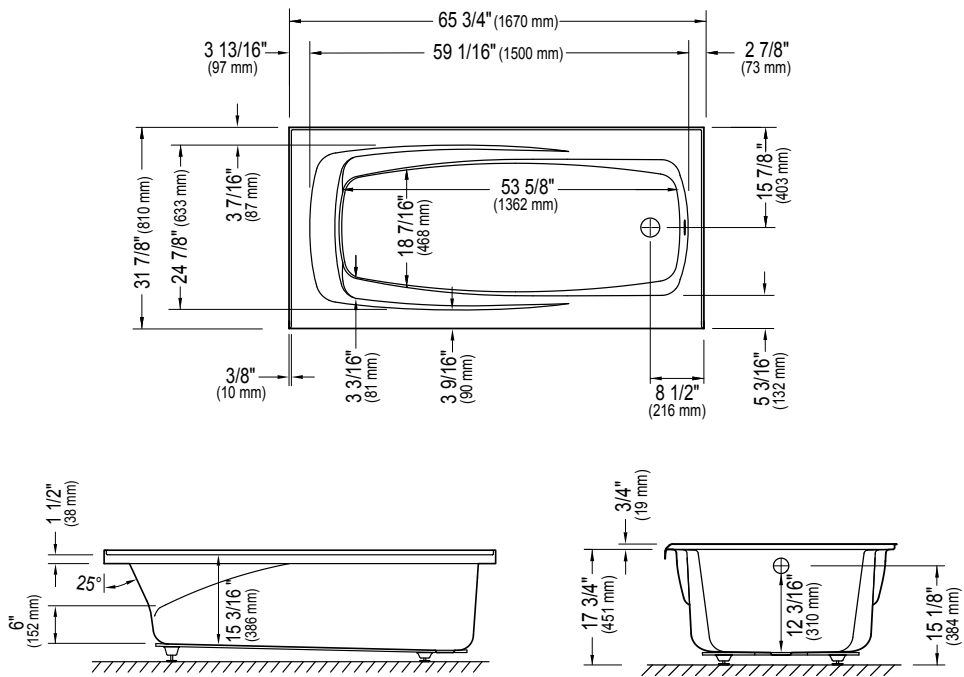
ENTREPRENEUR

6635, Picard street, Saint-Hyacinthe (Quebec) J2S 1H3
Phone: (450) 773-7058 - Fax: (450) 773-5063
produitsneptune.com



Produce Neptune

VELONA 3266 WITH INTEGRATED TILING FLANGE



*All dimensions are approximate and subject to change without notice.
Please refer to the installation guide before beginning the installation.

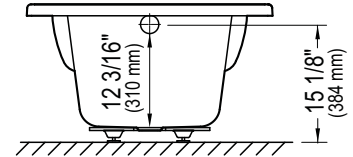
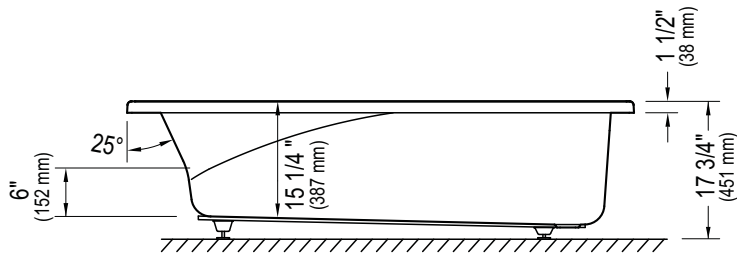
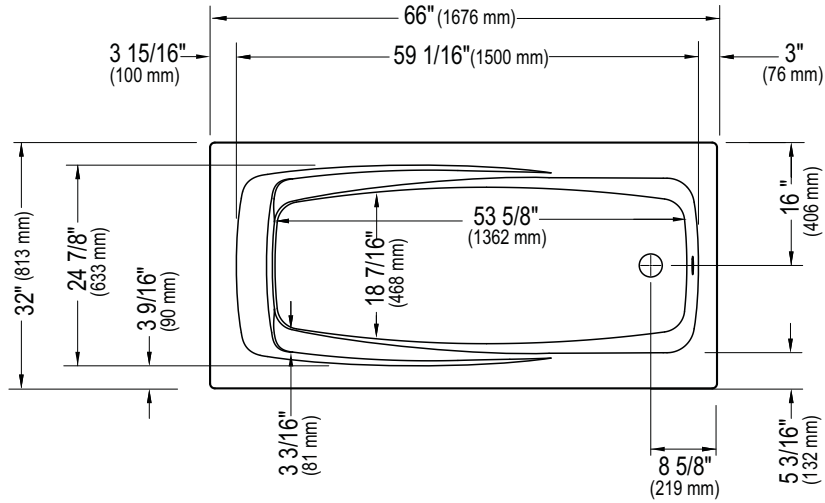


Produits Neptune

VELONA 3266

PODIUM

Acrylic bathtub



6835 PICARD STREET
SAINT-HYACINTHE, QUEBEC J2S 1H3
CANADA

PHONE 450 773 7058
FAX 450 773 5063
TOLL-FREE CANADA 1 888 226 7099
TOLL-FREE USA 1 888 226 7899

produitsneptune.com