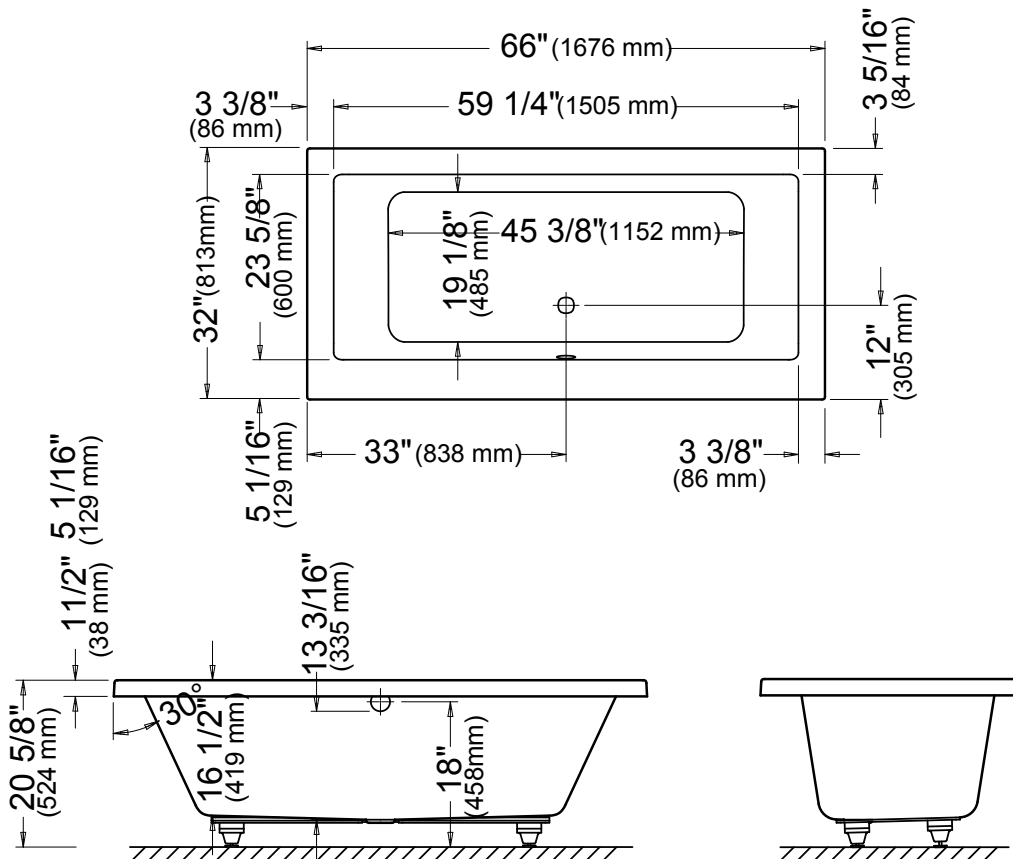




Produits Neptune

ZALEMA 3266 AFR PODIUM



*All dimensions are approximate and subject to change without notice.
Please refer to the installation guide before beginning the installation.

ZALEMA 3266 AFR

WITH INTEGRATED TILING FLANGE



65 3/4" x 31 7/8" x 20 5/8" [61 gallons]

GENERAL SPECIFICATIONS

- Acrylic thermoformed and reinforced with fiberglass
- Gloss finish resistant to stains and discoloration
- Immersion 13 3/16" - Adjustable legs
- Weight: 59 pounds - Central drain

GENERAL OPTIONS

Acrylic colors: white
biscuit* or bone* (allow 3 weeks for delivery)

White mood light: white, biscuit, bone or chrome finish

Handle: white, biscuit, bone or chrome finish 95.7077.106.XX
(max. 2) (submit drawing with order)

Drain D105 (20"): chrome finish 62.4020.102.60

Black neck pillow (12" x 4") 18.6000.100.20

WHIRLPOOL OPTIONS

Finish for Whirlpool jets: white, biscuit or bone
Other: chrome

Inline heater 110 V

ACTIV-AIR OPTIONS

Finish for Activ-Air jets: white, biscuit or bone
Other: chrome

Blower hose extension 36" 95.5013.116.00

Blower hose extension 72" 95.5013.167.00

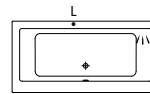
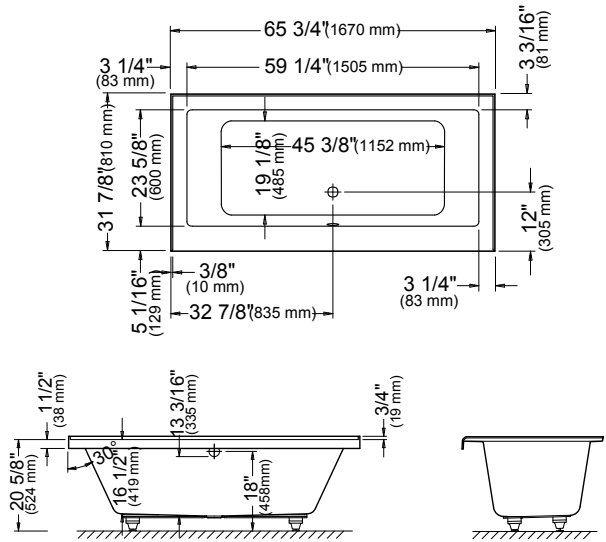
Blower hose extension 96" 95.5013.168.00

Blower extensions are necessary when the blower is located more than 4' from the pneumatic control.

DIMENSIONS ARE NOMINAL AND MAY VARY BY ± 1/4" (6MM).
WEIGHT MAY VARY BY ± 5 LBS (2,3KG).
DRAWING IS NOT SCALE. THESE DIMENSIONS MAY BE CHANGED AT THE MANUFACTURER'S DISCRETION.
CONSULT THE INSTALLATION GUIDE FOR MORE INFORMATION.

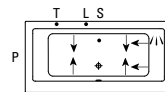


Certification ECORESPONSIBLE
First manufacturer of bathroom products in North America to be certified ecoresponsible.



Bathtub

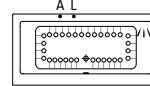
E10.21022.0500



Whirlpool

E15.21022.050030

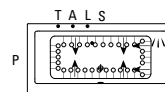
Included: 6 round jets, two air controls, one 7.5 A (120 V) pump and one pneumatic control.



Activ-Air

E15.21022.050010

Included: 32 Activ-Air micro-jets, one blower 9.5 A (120 V) with heating element (200 W) and one pneumatic control.



Whirlpool/Activ-Air combo

E15.21022.050031

Included: 6 round jets, 31 Activ-Air micro-jets, two air controls, one 7.5 A (120 V) pump, one blower 9.5 A (120 V) with heating element (200 W) and two pneumatic controls.

- ➔ : Whirlpool jets
- : Activ-Air jets
- S : Suction
- T : Whirlpool control
- A : Activ-Air control
- P : Pump
- L : Light control
- ⊖ : Mood light (option)

Note: The blower is never installed.



Produits Neptune

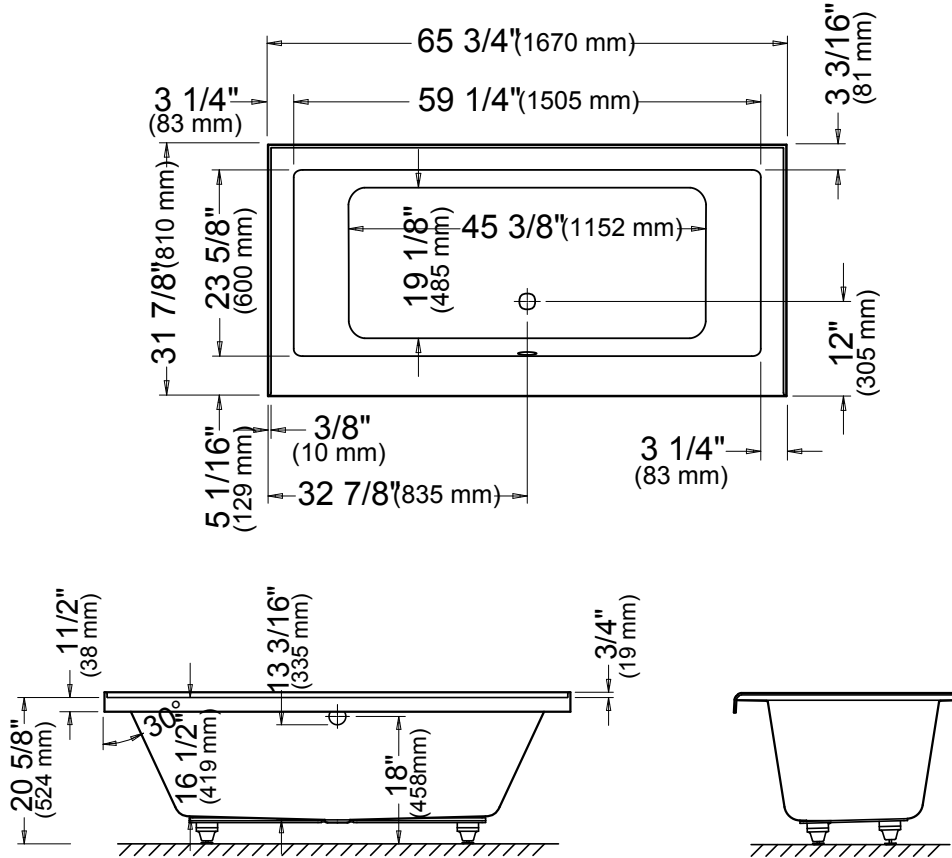
ENTREPRENEUR

6635, Picard street, Saint-Hyacinthe (Quebec) J2S 1H3
Phone: (450) 773-7058 - Fax: (450) 773-5063
produitsneptune.com



Produits Neptune

ZALEMA 3266 AFR WITH INTEGRATED TILING FLANGE



*All dimensions are approximate and subject to change without notice.
Please refer to the installation guide before beginning the installation.