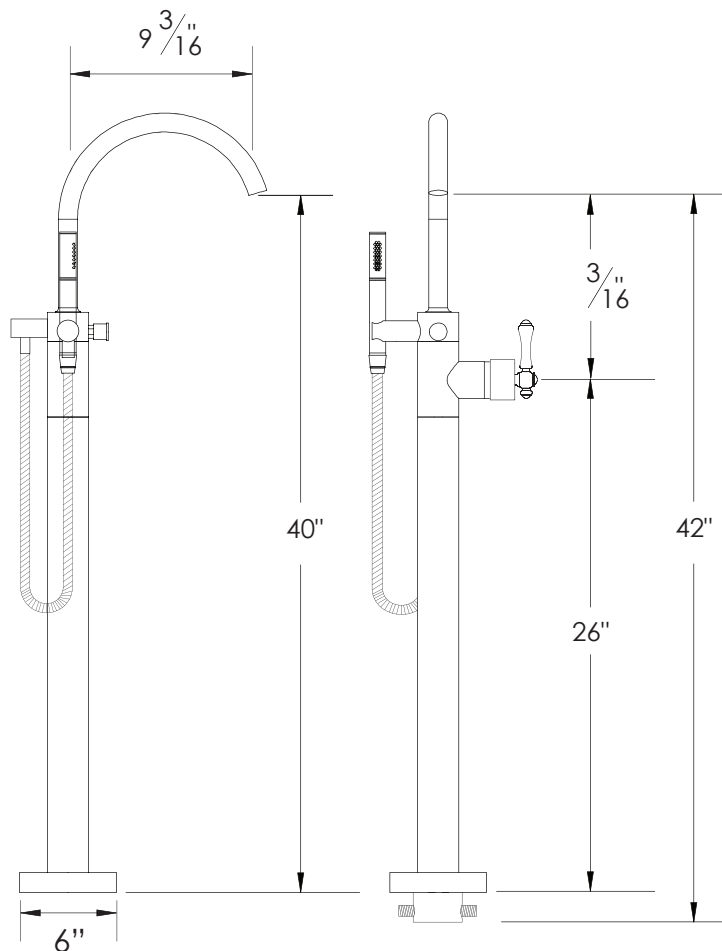


## PRODUCT SPECIFICATION SHEET

### ITEM # 4390GL-TM TRIM Floor mount tub filler with hand shower

- "GL" style handle
- 16 GPM
- ROUGH NOT INCLUDED
- Hand shower is 2.0 GPM
- Hand shower hose 57" long



The measurements shown are for reference only. Products and specifications shown are subject to change without notice.

[www.santecfaucet.com](http://www.santecfaucet.com) | P: 310.542.0063 F: 310.542.5681