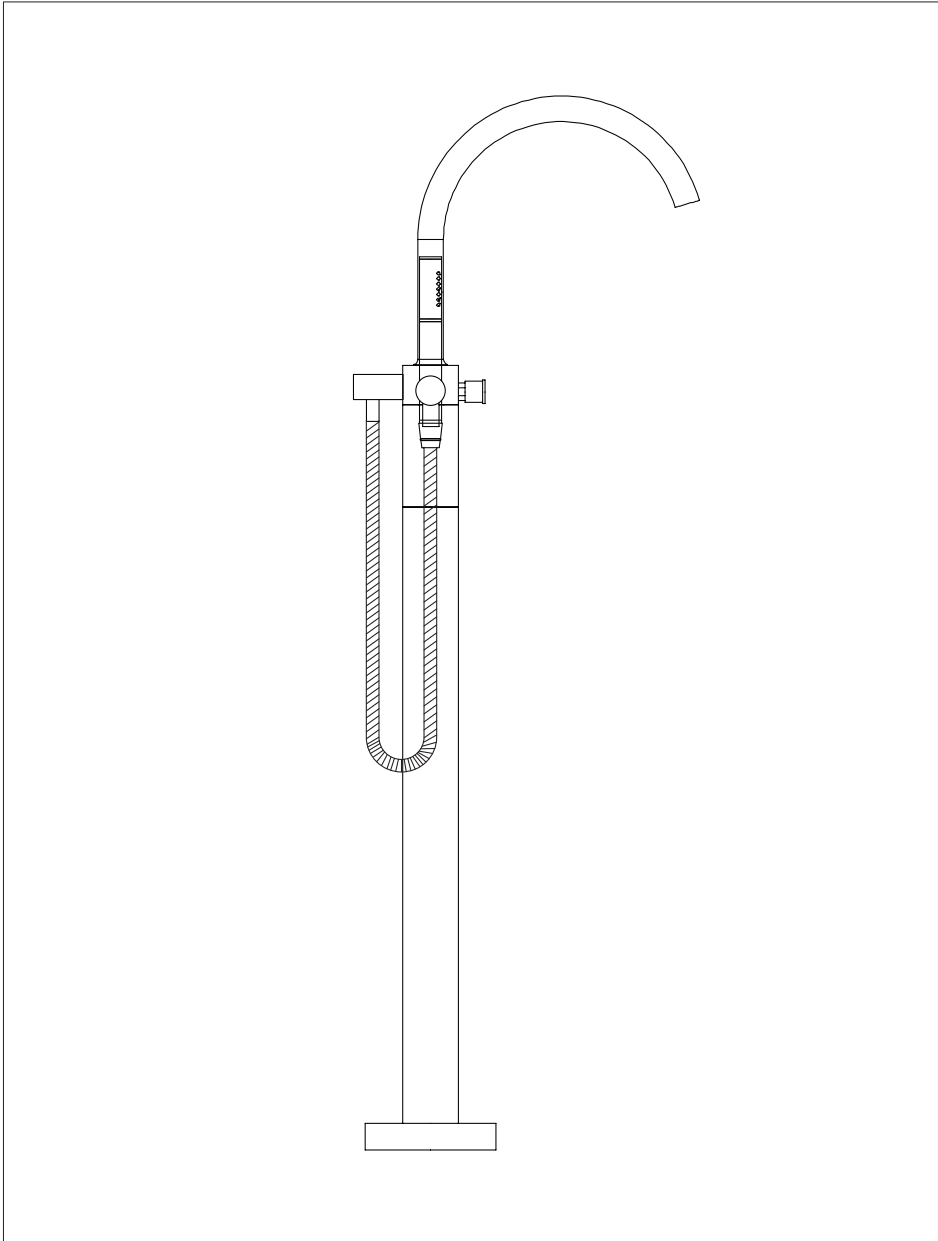


Please read the instructions completely before beginning the installation.



INSTALLATION INSTRUCTION

- Adequate floor support is required. The wood support must be a minimum of 2" (51mm) thick by 10" (254mm) wide. Wood support must be perfectly level. (1)
- Assemble the rough plate into the rough-in valve using the provided screws. (2)
- Sweat together Hot and cold supply assemblies. Apply sealing tape to thread connections. Thread supplies into rough-in valve inlets. The Hot and Cold inlets are marked.
- Locate the position on the wood support where the rough-in valve will be installed. Use the rough-in valve as a guide to mark the four mounting hole locations. (3)

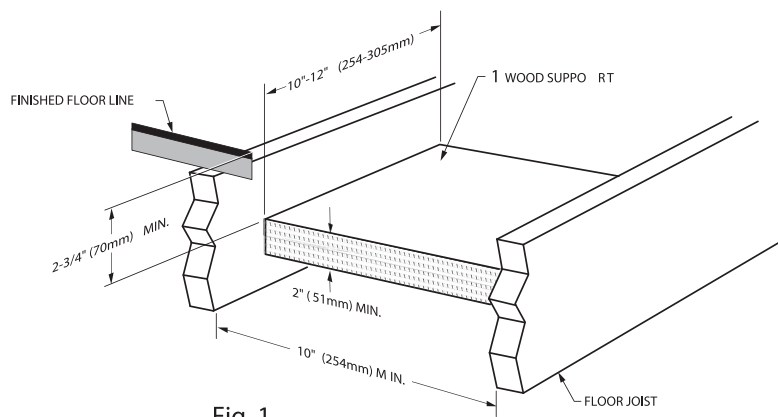


Fig. 1

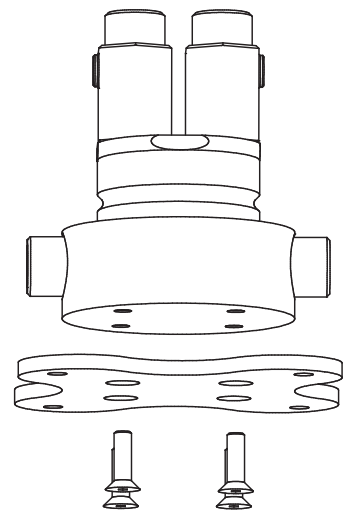


Fig. 2

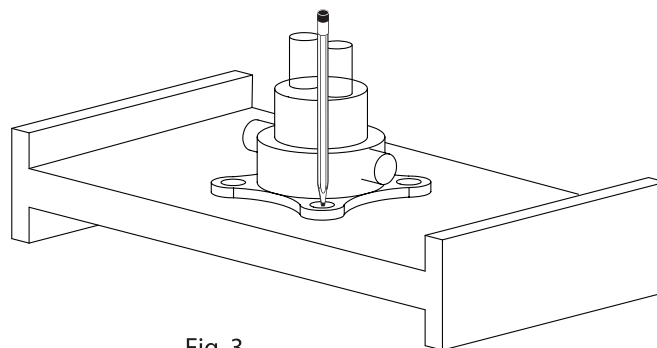


Fig. 3

INSTALLATION INSTRUCTION

- Put the plastic guard and make sure the finish floor line is within the Max and Min limits which are marked on the guard.
- Remove the rough and drill four pilot holes of 1/5" (5mm) in diameter. Install the four mounting screws into wood support. (4)
- Install the rough-in valve using four long mounting screws, mounting nuts and lock washers into wood supplies. (5)

Important: Front of rough-in valve must face bath trim.

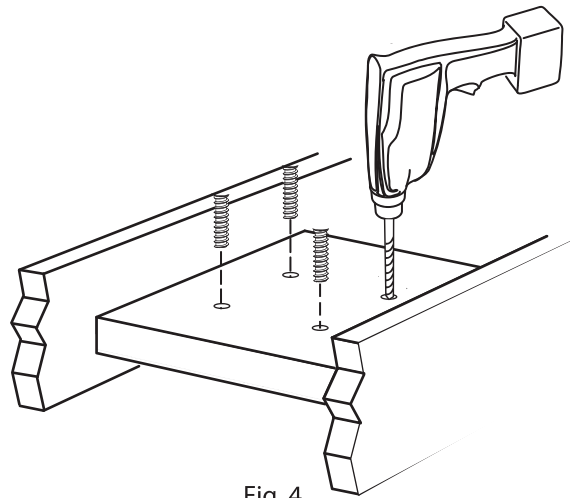


Fig. 4

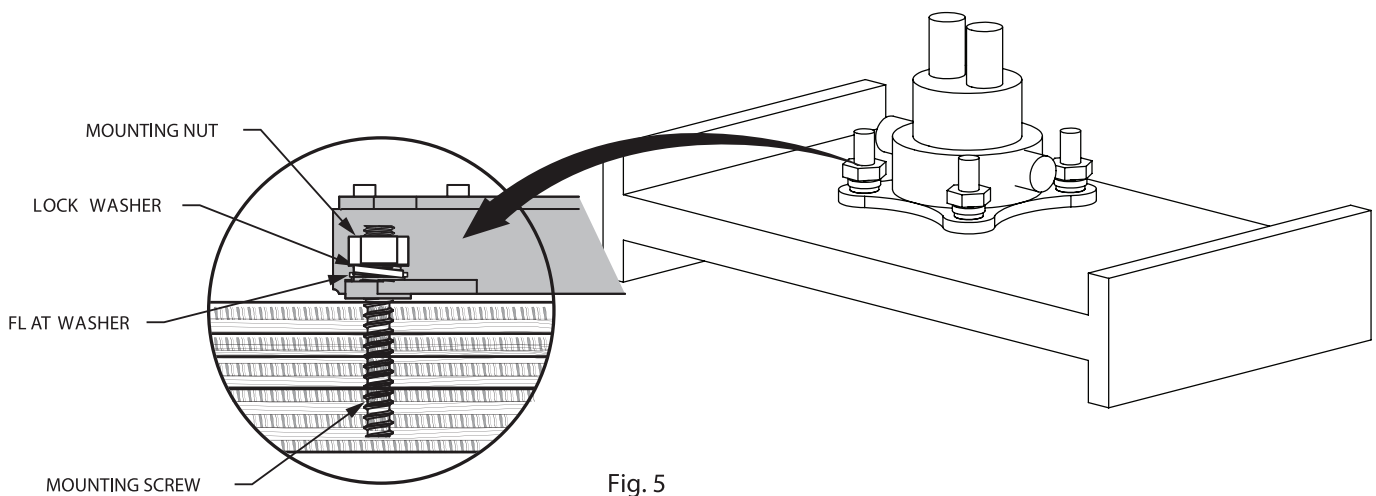


Fig. 5

The measurements shown are for reference only. Products and specifications shown are subject to change without notice.

www.santecfaucet.com | P: 310.542.0063 F: 310.542.5681

INSTALLATION INSTRUCTION

- Check that the top of the rough-in valve is level in all directions.
- Complete all Hot and Cold supply connections. Turn on water supplies and check for leaks. Make sure the shut-off valves are closed.
- Now, complete the installation of the finished floor and keep a hole with 5" (130mm) diameter on the floor. This hole is necessary in order to fix the free standing leg and it will be covered by the floor cover plate.
- Apply sealing tape to the threaded connections of the supply hoses and connect the Hot and Cold hoses to the valve. (6)

Note: Hot and Cold outlets are marked on the valve.

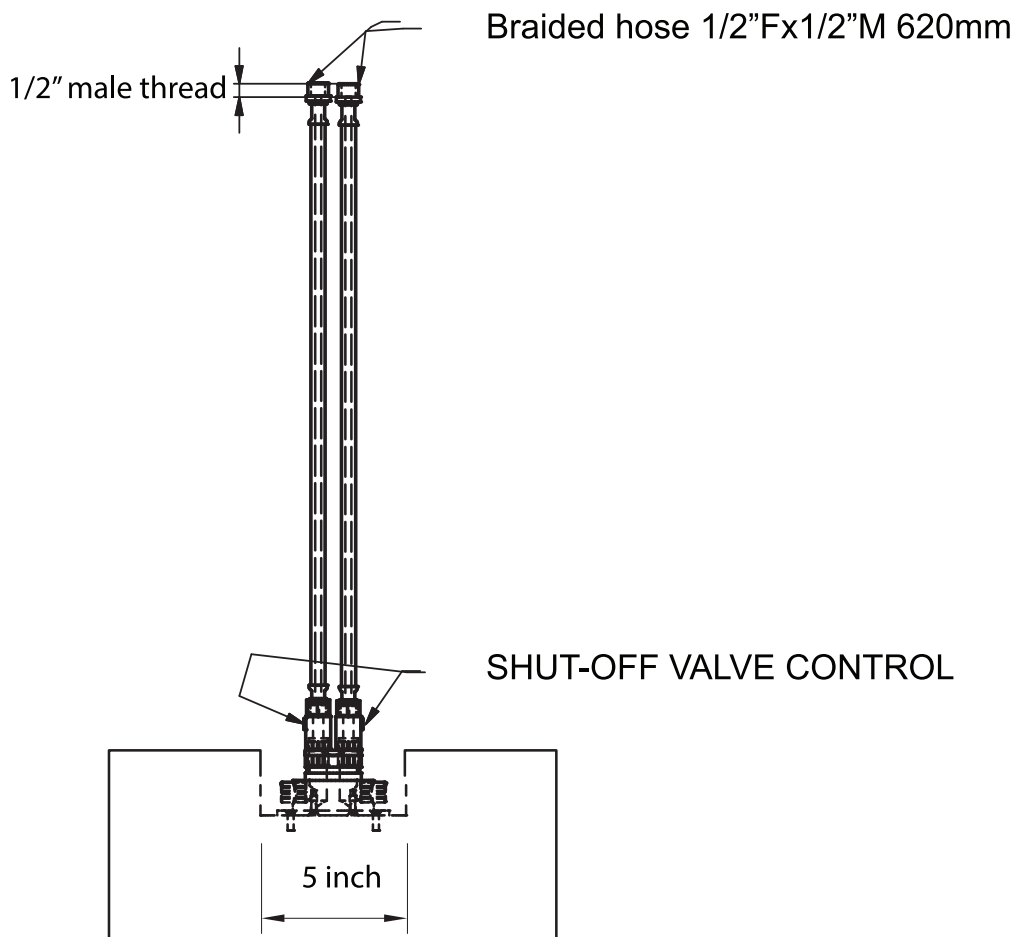


Fig. 6

The measurements shown are for reference only. Products and specifications shown are subject to change without notice.

www.santecfaucet.com | P: 310.542.0063 F: 310.542.5681

INSTALLATION INSTRUCTION

- Put the free standing leg on the rough-in valve and make sure the shut-off valves are aligned with two holes.
- Fix the free standing leg to the valve by using four set screws then verify that the leg is level. If the leg is not level, adjust the level by tightening or loosening the set screws, then verify the level again and fully tighten the set screws.
- Slide the floor cover plate all the way down to the floor. (7)

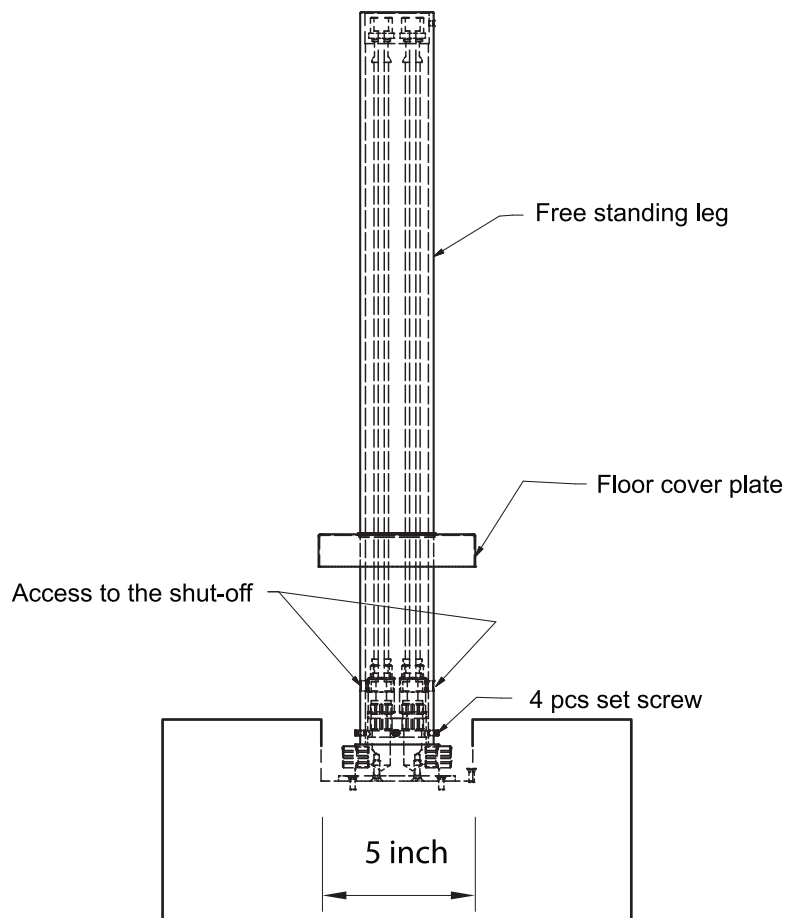


Fig. 7

The measurements shown are for reference only. Products and specifications shown are subject to change without notice.

www.santecfaucet.com | P: 310.542.0063 F: 310.542.5681

INSTALLATION INSTRUCTION

- Use the short hose, which is provided in the package, and pull the hoses out of the leg, then insert the horse shoe right underneath of the Hex. Nuts in order to hold the hoses. (8)

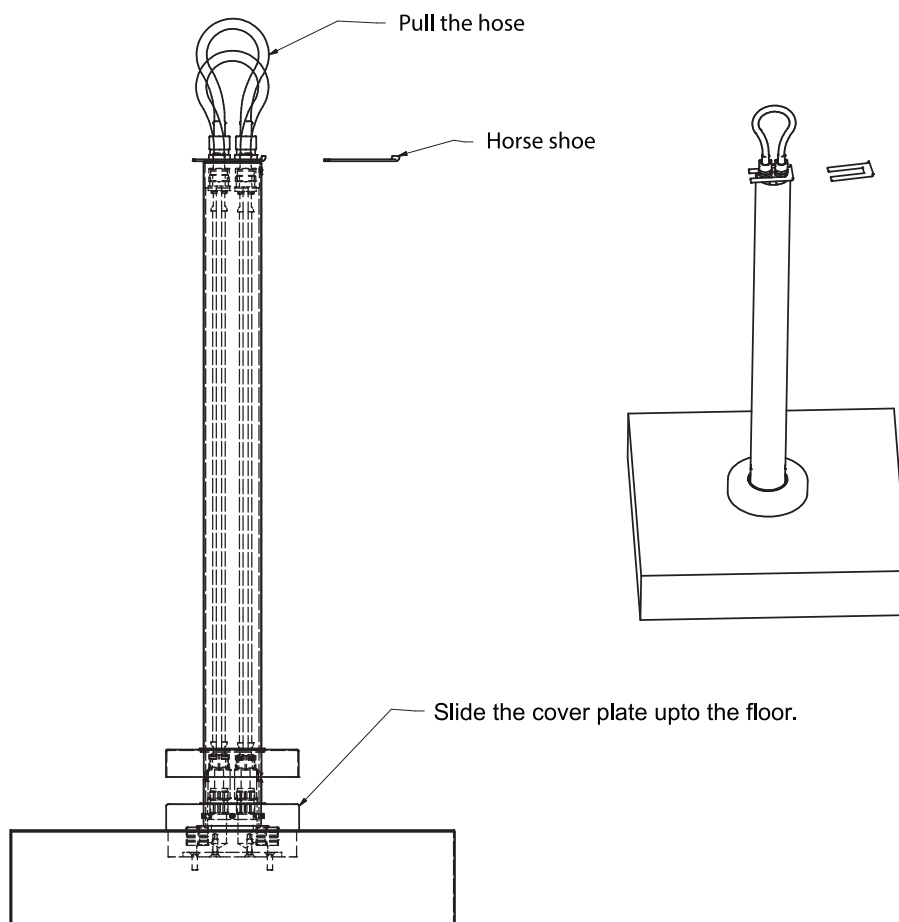


Fig. 8

INSTALLATION INSTRUCTION

- Connect the valve's hoses to the supply hoses. (9)

Note: Hot and Cold outlets are marked on the valve and the hoses.

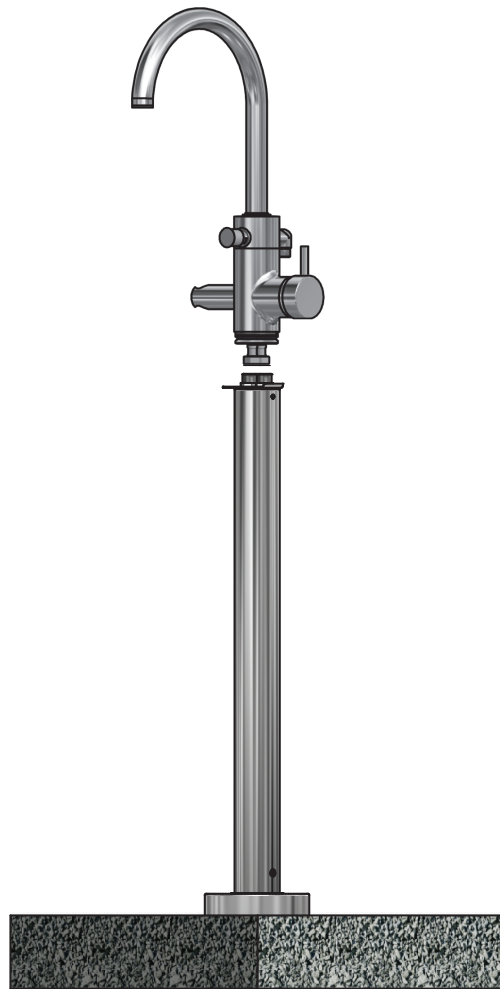


Fig. 9

The measurements shown are for reference only. Products and specifications shown are subject to change without notice.

www.santecfaucet.com | P: 310.542.0063 F: 310.542.5681

INSTALLATION INSTRUCTION

- Before removing the horse shoe, turn on water supplies and check for leaks. Make sure the shut-off valves are open and the cartridge is closed.
- After removing the horse shoe, turn the top body as many times as necessary and push it inside the leg.
- Fix the top body on the leg using a set screw. Then fix the diverter and the spout on top of that.
- Finally fix the shower hose and shower handle set. (10)

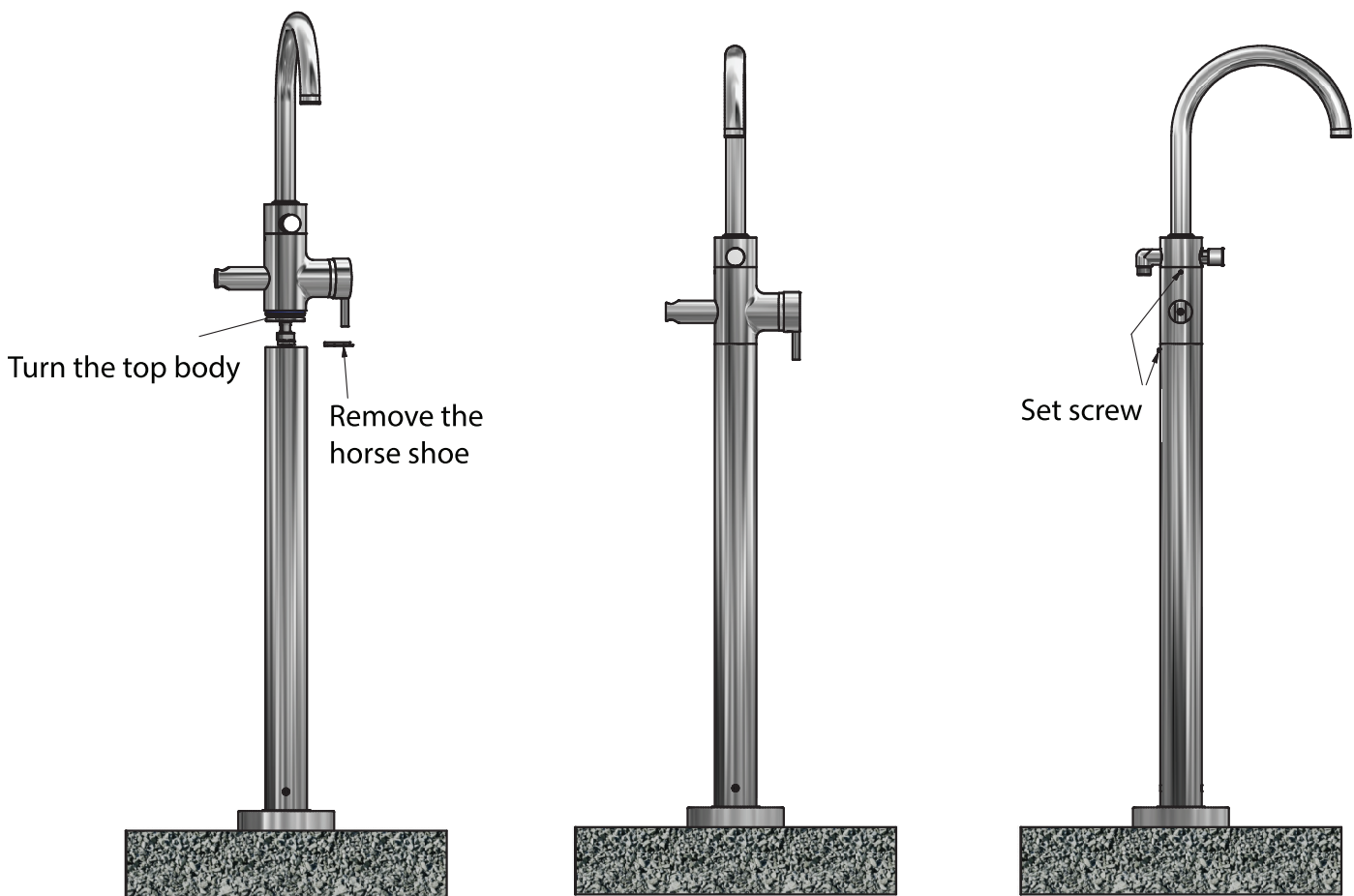
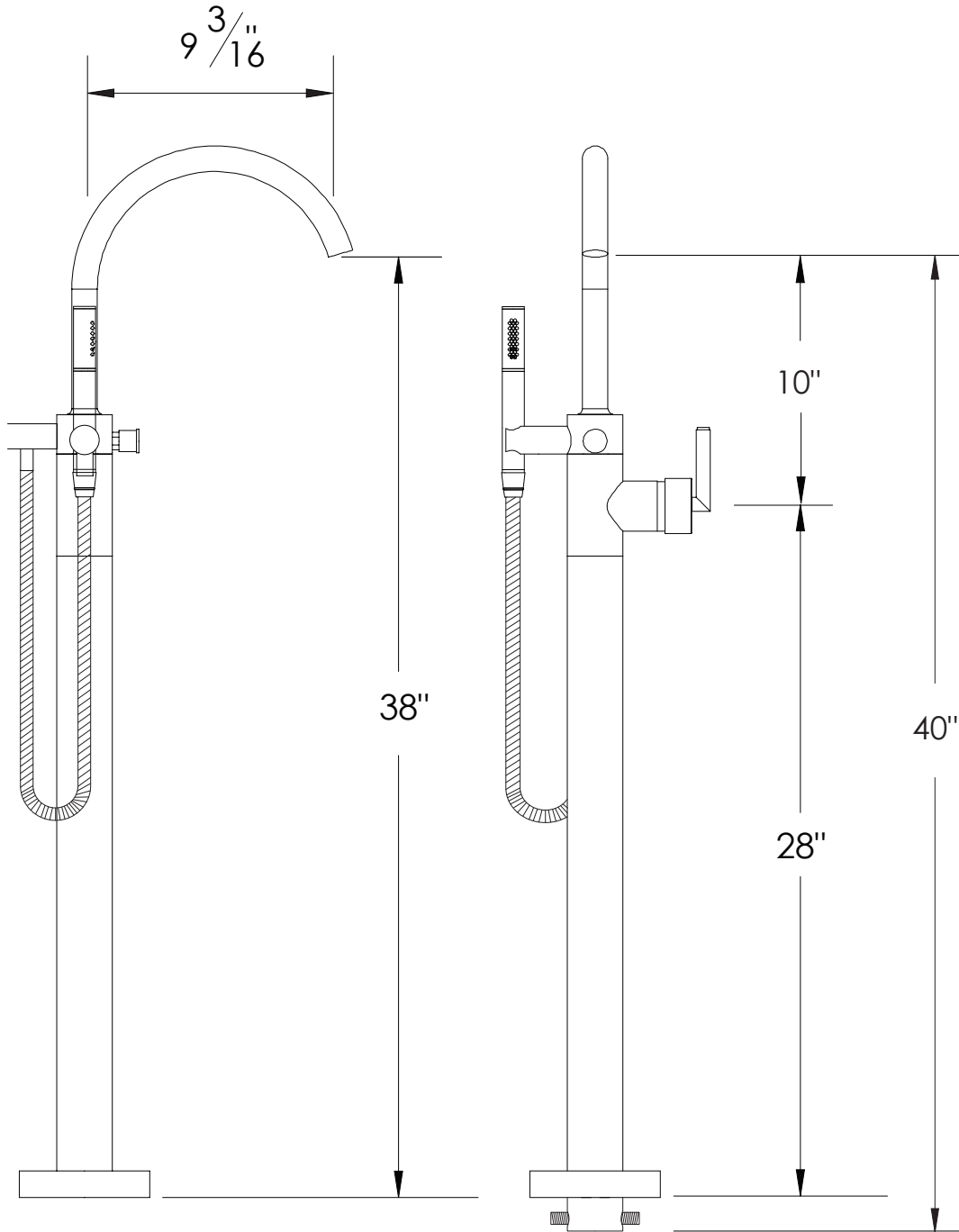


Fig. 10

The measurements shown are for reference only. Products and specifications shown are subject to change without notice.

www.santecfaucet.com | P: 310.542.0063 F: 310.542.5681

SPECIFICATION SHEET



The measurements shown are for reference only. Products and specifications shown are subject to change without notice.
www.santecfaucet.com | P: 310.542.0063 F: 310.542.5681



LIFETIME LIMITED WARRANTY

SANTEC is committed to enhancing your bathroom experience by creating luxury products that will provide enduring satisfaction. Every effort has been made to satisfy the highest standards of design and production, to create lasting peace of mind for our customers. We provide the following limited warranties on our products:

LENGTH OF WARRANTY & WHO IS COVERED BY OUR WARRANTY

This warranty extends to the original consumer purchaser only and extends for as long as the original purchaser owns the product and the home in which the product is installed.

WHAT IS COVERED BY OUR WARRANTY

1. **FINISHES:** SANTEC Polished Chrome, Polished Nickel and Satin Nickel finishes carry a Lifetime Limited warranty against manufacturing defects and tarnish to the original purchaser. All other finishes carry a ten (10) year limited warranty against manufacturing defects and tarnish to the original purchaser only.
2. **CARTRIDGES:** Santec cartridges carry a lifetime limited warranty, with the exception of thermostatic and pressure balanced cartridges, which carry a three (3) year limited warranty against manufacturing defects to the original purchaser.
3. **PARTS:** Santec parts carry a 10-year limited warranty against manufacturing defects, to the original purchaser.

EXCLUSIONS & LIMITATIONS OF WARRANTY

This warranty does not cover:

1. Damage due to negligence, accident, abuse, improper installation, or improper maintenance such as, but not limited to: heat from soldering during installation, the use of plumber's putty, damage from tools used during installation, the use or exposure to chemicals or cleaning products either abrasive or non-abrasive, or the use of any cleaning tool or product other than a soft, clean cloth. Reverse osmosis may also shorten the life of the finish.
2. Changes in the finish or in the product due to normal wear or aging does not cover any products or parts which have been altered or used in a manner not typical for the product.
3. Loss, damages, or expense, incidental or consequential whatsoever, originating from the purchase, installation, use, repair, failure, or replacement of any SANTEC product or part, allowed by law.
4. Commercial and/or Industrial installations and use of the product.
5. This warranty does not include labor, travel charges, or any costs incurred for repair, removal, installation, servicing, diagnosing, or handling of either defective or replacement parts.
6. Damage or deterioration caused by environmental impacts.

SANTEC reserves the product components of the covered product will be repaired, refinished, or replaced at the sole discretion of SANTEC. SANTEC reserves the right to examine any product claimed defective prior to any warranty claim being accepted or processed, at its sole discretion. This warranty gives you specific legal rights and you may have other rights which may vary from state to state.

The measurements shown are for reference only. Products and specifications shown are subject to change without notice.

www.santecfaucet.com | P: 310.542.0063 F: 310.542.5681



LIFETIME LIMITED WARRANTY

SANTEC is committed to enhancing your bathroom experience by creating luxury products that will provide enduring satisfaction. Every effort has been made to satisfy the highest standards of design and production, to create lasting peace of mind for our customers. We provide the following limited warranties on our products:

LENGTH OF WARRANTY & WHO IS COVERED BY OUR WARRANTY

This warranty extends to the original consumer purchaser only and extends for as long as the original purchaser owns the product and the home in which the product is installed.

WHAT IS COVERED BY OUR WARRANTY

1. **FINISHES:** SANTEC Polished Chrome, Polished Nickel and Satin Nickel finishes carry a Lifetime Limited warranty against manufacturing defects and tarnish to the original purchaser. All other finishes carry a ten (10) year limited warranty against manufacturing defects and tarnish to the original purchaser only.
2. **CARTRIDGES:** Santec cartridges carry a lifetime limited warranty, with the exception of thermostatic and pressure balanced cartridges, which carry a three (3) year limited warranty against manufacturing defects to the original purchaser.
3. **PARTS:** Santec parts carry a 10-year limited warranty against manufacturing defects, to the original purchaser.

EXCLUSIONS & LIMITATIONS OF WARRANTY

This warranty does not cover:

1. Damage due to negligence, accident, abuse, improper installation, or improper maintenance such as, but not limited to: heat from soldering during installation, the use of plumber's putty, damage from tools used during installation, the use or exposure to chemicals or cleaning products either abrasive or non-abrasive, or the use of any cleaning tool or product other than a soft, clean cloth. Reverse osmosis may also shorten the life of the finish.
2. Changes in the finish or in the product due to normal wear or aging does not cover any products or parts which have been altered or used in a manner not typical for the product.
3. Loss, damages, or expense, incidental or consequential whatsoever, originating from the purchase, installation, use, repair, failure, or replacement of any SANTEC product or part, allowed by law.
4. Commercial and/or Industrial installations and use of the product.
5. This warranty does not include labor, travel charges, or any costs incurred for repair, removal, installation, servicing, diagnosing, or handling of either defective or replacement parts.
6. Damage or deterioration caused by environmental impacts.

SANTEC reserves the product components of the covered product will be repaired, refinished, or replaced at the sole discretion of SANTEC. SANTEC reserves the right to examine any product claimed defective prior to any warranty claim being accepted or processed, at its sole discretion. This warranty gives you specific legal rights and you may have other rights which may vary from state to state.

The measurements shown are for reference only. Products and specifications shown are subject to change without notice.

www.santecfaucet.com | P: 310.542.0063 F: 310.542.5681