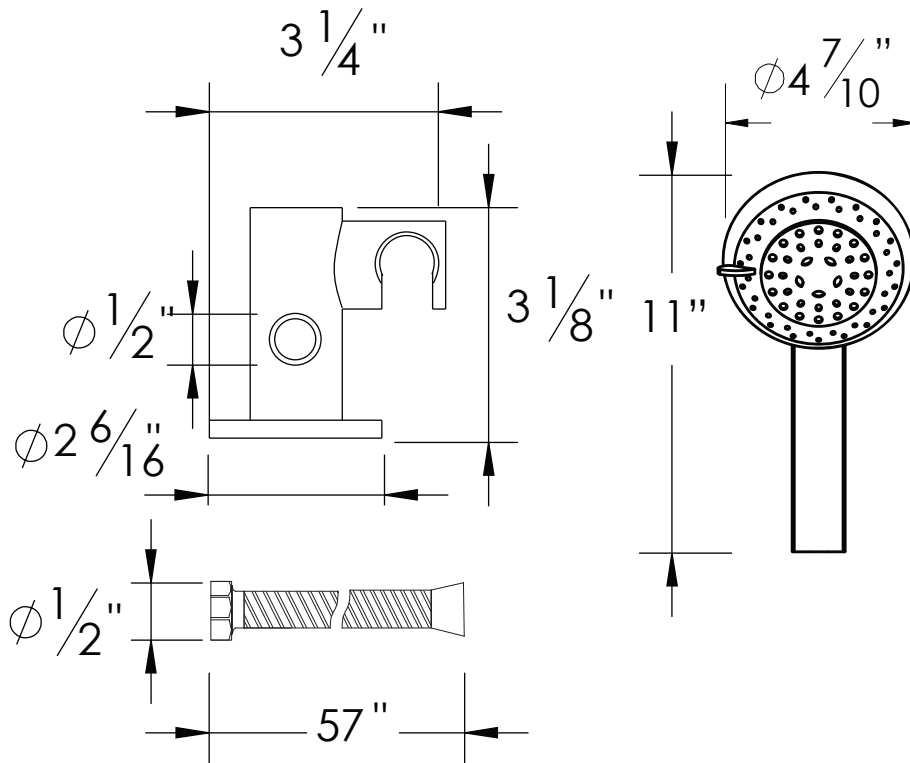


PRODUCT SPECIFICATION SHEET

ITEM # 708340

Multifunction hand shower with bracket and outlet

- 1/2" NPS male outlet
- 1/2" NPT female inlet
- 2.5 GPM
- Includes flow restrictor (CA 2.0 GPM CAL GRN compliant)
- 6 functions sprayer: spray, spray + champagne, champagne, soft + massage, massage
- 3 function sprayer: soft, normal and massage sprays
- Supply elbow not required
- Hose included



The measurements shown are for reference only. Products and specifications shown are subject to change without notice.