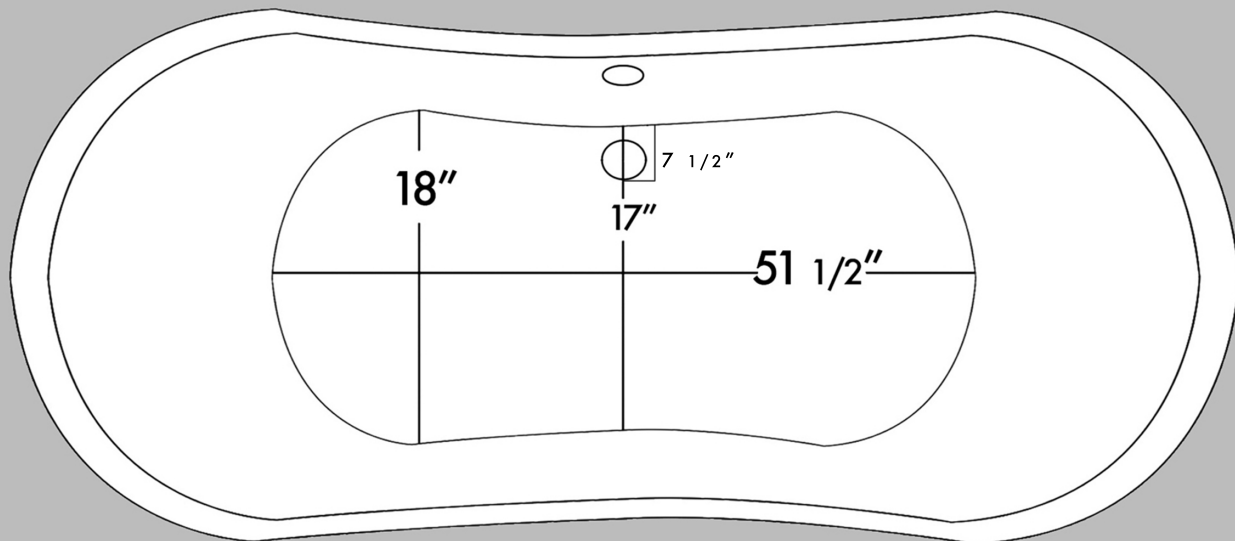
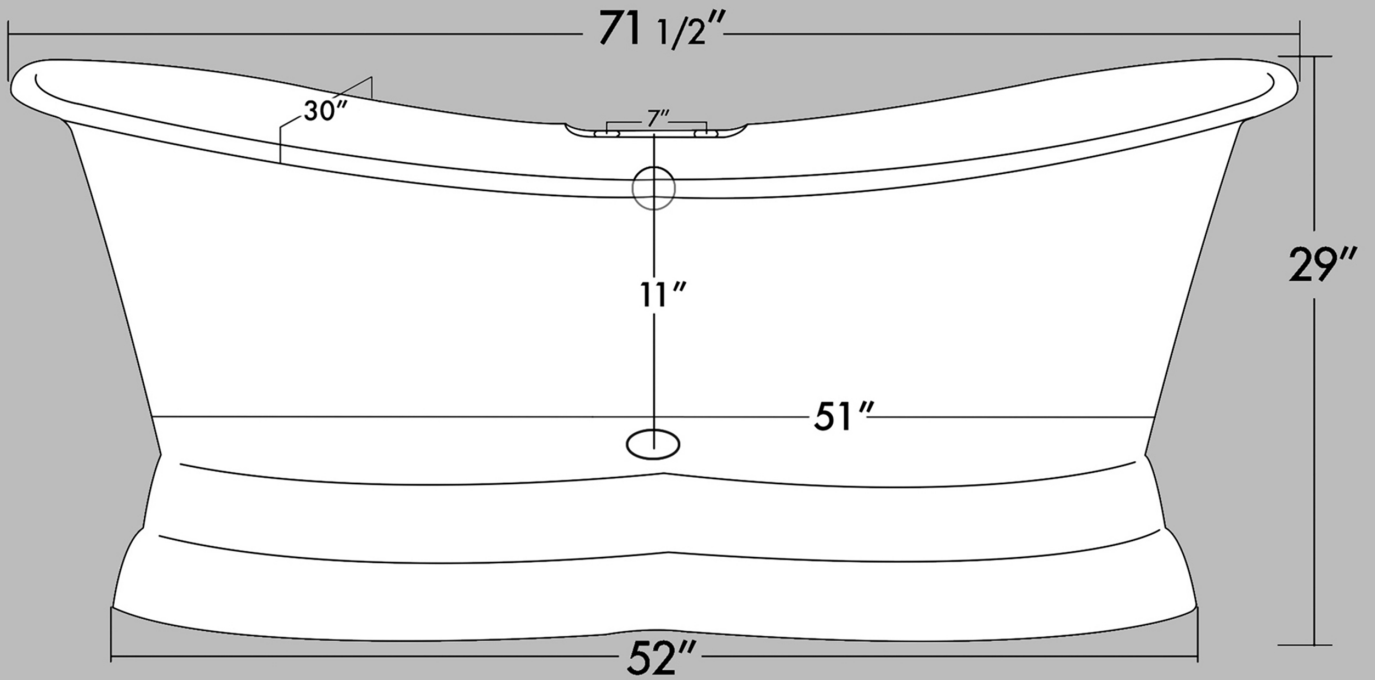


DES-PED

Tolerance +/- 1/2"



DES-PED

Tolerance +/- 1/2"

